

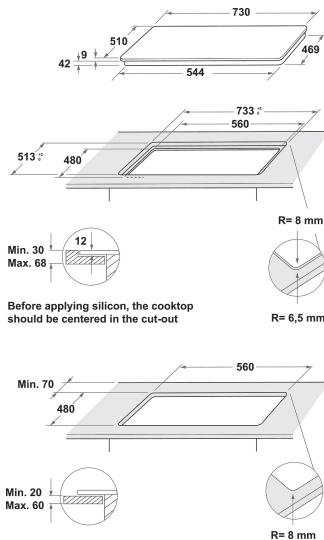
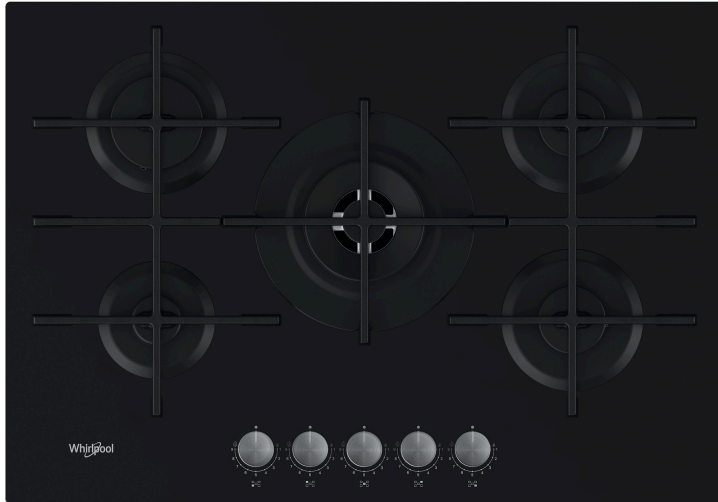
GOWL 728/NB

12NC: 859991590410

GTIN (EAN) code: 8003437605109

Whirlpool

SENSING THE DIFFERENCE



- Cast Iron Pan Supports
- Electromagnetic safety device for each burner
- Black Spin Brushed knobs
- 3 GOG W Collection - Tris grids Cast Iron grids
- Front controls
- 75 cm hob
- Mechanical control
- Ignition type: knob
- 5 Burners
- 5 burners: 1 Auxiliary 1000 W burner, 1 Rapid 3000 W burner, 1 Semirapid 1650 W burner, 1 Semirapid 1650 W burner, and 1 DCC medium 4000 W burner.
- Supply cord included
- Dimensions HxWxD: 51x730x510 mm
- Niche dimensions HxWxD: 41x560x480 mm
- Voltage: 220-240 V
- Gas Connection Rating: 11300 W

Whirlpool gas hob: 5 gas burners - GOWL 728/NB

This Whirlpool gas Hob features: high efficiency burners, for reduced energy consumption.



High Efficiency Burners

High efficiency. Our High Efficiency Burners reduce energy consumption by 20%. Thanks to their innovative design and vertical flame, heat is delivered directly to the pots and pans, avoiding dispersion.



Power Burner 4000W

4kW burner. Enjoy tastier results, faster. Seal your meat to perfection, boil water faster or enjoy a perfect stir-fry dishes with the outstanding Power Burner 4000W.



Power Burner 5gas (PB)

Power cooking. This Whirlpool Hob features 5 Power burners to provide extra heat and speed up boiling, frying and steaming, while ensuring maximum energy efficiency.



Speed to Boil

Enjoy faster boiling. Our innovative technology, by effectively harnessing the energy of the flames, ensures more heat is delivered directly to your pots and pans allowing you to enjoy ideal cooking results, sooner.



Full width cast iron grids

The full-width cast-iron pan support maximises the cooking surface with an edge-to-edge design so pans can slide effortlessly from one burner to another without any lifting and is durable enough to withstand damage and prevent rusting or scratching. Cooktop grids are made of cast iron, a top performing material resistant to high temperatures, durable in time that perfectly transmit heat. Restyled for added comfort and beauty, the distinctive design of the ergonomic knobs ensures easier use, greater control, and easeness of cleaning on steel and glass models.



Double zone G0

Versatile cooking experience. This Whirlpool Hob features the versatile Double Zone G0, providing 2 separate heat zones, so you can easily cook with both large and small pots and pans.



Front Controls

Complete control over your cooking. Easily accessible and genuinely intuitive, the controls are conveniently positioned on the front panel of your hob, providing a frictionless cooking experience.

GOWL 728/NB

12NC: 859991590410

GTIN (EAN) code: 8003437605109

Whirlpool

SENSING THE DIFFERENCE

MAIN FEATURES

Product group	Hob
Construction type	Built-in
Type of control	Mechanical
Type of control settings	-
Number of gas burners	5
Number of electric cooking zones	0
Number of electric plates	0
Number of radiant plates	0
Number of halogen plates	0
Number of induction plates	0
Number of electric warming zones	0
Location of control panel	Front
Basic surface material	Glass
Main colour of product	Black
Electrical connection rating (W)	0
Gas connection rating (W)	11300
Current (A)	0,2
Voltage (V)	220-240
Frequency (Hz)	50/60
Length of Electrical Supply Cord (cm)	85
Plug type	No
Gas connection	Cilindric
Width of the product	730
Height of the product	51
Depth of the product	510
Minimum niche height	41
Minimum niche width	560
Niche depth	480
Net weight (kg)	15.6
Automatic programmes	No

TECHNICAL FEATURES

Power on indicator	No
Number of indicators	0
Type of regulation	Temperature regulated
Type of lid	Without
Residual heat indicator	Without
Main on/off switch	No
Safety device	-
Timer	No

PERFORMANCES

Energy input	Gas
--------------	-----