

GMWL 628/IXL

12NC: 859991596190

GTIN (EAN) code: 8003437608537

Whirlpool

SENSING THE DIFFERENCE



Whirlpool gas hob: 4 gas burners - GMWL 628/IXL

Standard Whirlpool technologies and features for you to enjoy.

iXelium

Long lasting shine. The revolutionary iXelium treatment protects your hob from scratches and corrosion, ensuring a perfect shine, always. And, it's easy to clean: all you need is water and a soft cloth.

Power Burner 3500W

3.5kW burner. Enjoy tastier results, faster. Seal your meat to perfection, boil water faster or enjoy a perfect stir-fry dishes with the outstanding Power Burner 3.500W.

Booster

Enjoy super fast boiling times with the Booster cooking zone.

Speed to Boil

Enjoy faster boiling. Our innovative technology, by effectively harnessing the energy of the flames, ensures more heat is delivered directly to your pots and pans allowing you to enjoy ideal cooking results, sooner.

Full width cast iron grids

The full-width cast-iron pan support maximises the cooking surface with an edge-to-edge design so pans can slide effortlessly from one burner to another without any lifting and is durable enough to withstand damage and prevent rusting or scratching. Cooktop grids are made of cast iron, a top performing material resistant to high temperatures, durable in time that perfectly transmit heat. Restyled for added comfort and beauty, the distinctive design of the ergonomic knobs ensures easier use, greater control, and easeness of cleaning on steel and glass models.

Power Burner 4gas (PB)

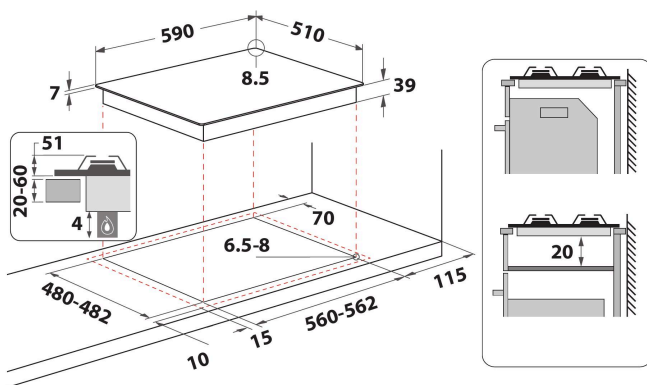
Power cooking. This Whirlpool Hob features 4 Power burners to provide extra heat and speed up boiling, frying and steaming, while ensuring high energy efficiency.

MultiLevel Flame

9 flame levels for different cooking methods. Always get the ideal flame for your cooking methods, to achieve perfect cooking results effortlessly.

Front Controls

Complete control over your cooking. Easily accessible and genuinely intuitive, the controls are conveniently positioned on the front panel of your hob, providing a frictionless cooking experience.



- Cast Iron Pan Supports
- Electromagnetic safety device for each burner
- Brushed chrome knobs
- 2 W Collection Aphrodite 2 Cast Iron grids
- Front controls
- 60 cm hob
- Mechanical control
- Ignition type: knob
- 4 Burners
- 4 burners: 1 Power burner 3500 W burner, 1 Semirapid 1750 W burner, 1 Semirapid 1750 W burner, and 1 Auxiliary 1000 W burner.
- Dimensions HxWxD: 41x590x510 mm
- Niche dimensions HxWxD: 38x560x480 mm
- Voltage: 230 V
- Gas Connection Rating: 8000 W
- Gas Type: G20

GMWL 628/IXL

12NC: 859991596190

GTIN (EAN) code: 8003437608537

Whirlpool

SENSING THE DIFFERENCE

MAIN FEATURES

Product group	Hob
Construction type	Built-in
Type of control	Mechanical
Type of control settings	-
Number of gas burners	4
Number of electric cooking zones	0
Number of electric plates	0
Number of radiant plates	0
Number of halogen plates	0
Number of induction plates	0
Number of electric warming zones	0
Location of control panel	Front
Basic surface material	Stainless Steel
Main colour of product	Inox Ixelum
Electrical connection rating (W)	0
Gas connection rating (W)	8000
Gas type	G20
Current (A)	0,2
Voltage (V)	230
Frequency (Hz)	50
Length of Electrical Supply Cord (cm)	85
Plug type	No
Gas connection	Cilindric
Width of the product	590
Height of the product	41
Depth of the product	510
Minimum niche height	38
Minimum niche width	560
Niche depth	480
Net weight (kg)	10
Automatic programmes	No

TECHNICAL FEATURES

Power on indicator	No
Number of indicators	0
Type of regulation	Temperature regulated
Type of lid	Without
Residual heat indicator	Without
Main on/off switch	No
Safety device	-
Timer	No

PERFORMANCES

Energy input	Gas
--------------	-----