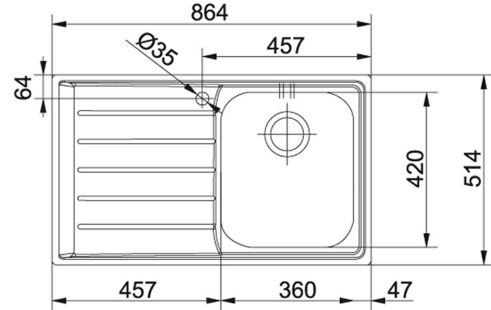


NEX 211 Stainless Steel | 127.0059.655

FAMILY : Sinks | SERIES : Neptune | MODEL : NEX 211 | FINISH : Stainless Steel | PRODUCT LINE : Neptune |
 INSTALLATION TYPE : Flushmount | INSTALLATION TYPE : Slim-Top



TECHNICAL DATA

Cabinet Size	600.00 mm
Length Overall	864.00 mm
Width Overall	514.00 mm
Length of large bowl	360.00 mm
Width of large bowl	420.00 mm
Depth of large bowl	190.00 mm
Cutout Length	855.00 mm
Cutout Width	506.00 mm
Cut-Out Template	No
Cutout radius	R: 20 mm
Cabinet Size	60
Type of Material	stainless steel
Opposite Configuration	127.0059.654
Length of small bowl	360.00 mm
Width of small bowl	420.00 mm
Depth of small bowl	190.00 mm
Price	£443.00

FEATURES

Edge profile flushmount	Edge profile slimtop
-------------------------	----------------------

NEX 211 Stainless Steel | 127.0059.655

FAMILY : **Sinks** | SERIES : **Neptune** | MODEL : **NEX 211** | FINISH : **Stainless Steel** | PRODUCT LINE : **Neptune** |
INSTALLATION TYPE : **Flushmount** | INSTALLATION TYPE : **Slim-Top**

SUGGESTED PRODUCTS



115.0051.172



115.0061.579



112.0059.946



133.0026.896



134.0276.834
