

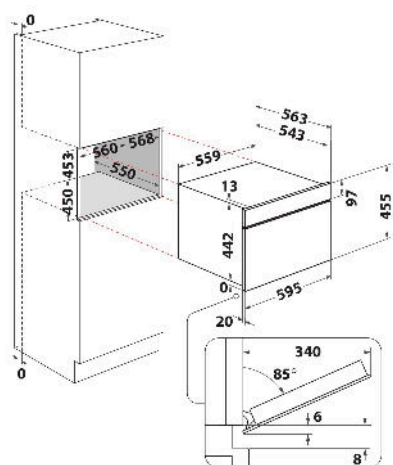
WCW90WPHTSBUK

12NC: 859991690870

GTIN (EAN) code: 8003437397769

Whirlpool

SENSING THE DIFFERENCE



- 6TH Sense technology
- 6TH Sense CRISP Function with CRISP Plate
- Crisp Function
- Cavity 52L
- Jet Start: rapid food reheating
- Jet Defrost: fast reheating
- ForcedAir
- Keep warm
- Rising Function
- CrispFry
- Meat Probe
- Bread Defrost function
- 950 W microwave
- Protruding handle
- Maximum dish diameter: 410 mm
- Full Touch Screen Control panel
- Drop down opening

Whirlpool built in microwave oven: black color - WCW90WPHTSBUK

This Whirlpool built in Microwave Oven features: black color. Outstanding cavity size. Combination technology, providing the cooking flexibility of traditional ovens. Exclusive 6th SENSE technology, that automatically sets the time, temperature and energy consumption, during cooking. Crisp function, for unbeatably crisp quiches, pizzas and pies.



JetDefrost

Fast defrosting. Use the unique JetDefrost 3D system to defrost food effectively and with ease in your microwave oven.



Forced Air

Seal in the taste. Thanks to the Forced Air technology, preheated air is circulated inside your microwave oven using an innovative convection system, giving you moist, juicy cooking results.



DoughRising

Perfect yeast preparation for bread and dough with DoughRising Function. A special program to keep the Maxi Chef's internal temperature stable at 30°: ideal for dough to rise.

Jet Start

Outstanding reheating speed. The JetStart function boosts the heat inside the oven to the maximum for 30 seconds, providing the ideal temperature to reheat food with high water content such as clear soups or beverages.



6TH SENSE technology

Confident cooking. With 6TH SENSE technology, your microwave automatically sets the time, temperature and energy levels during the cooking process.



Softclosing Hinges

The new generation of hinges prevents any noisy slamming, so with just one gentle touch the doors effortlessly close smoothly and silently.



Crisp

Unbeatable crispness. This Whirlpool Microwave's Crisp function and dedicated pan ensures you can cook the crispiest pizza, pie or quiche, anytime.



CrispFry

To cooks delicious dishes with a fried texture and taste, but with little or no oil so it is even healthier to use than a frying pan.



Bread Defrost

Fresh bread, anytime. With the Bread Defrost setting on your microwave, you can take your bread from frozen to fresh at the touch of a button.

WCW9OWPHTSBUK

12NC: 859991690870

GTIN (EAN) code: 8003437397769

Whirlpool

SENSING THE DIFFERENCE

MAIN FEATURES

Product group	Microwave
Commercial code	WCW9OWPHTSBUK
Main colour of product	Black
Type of micro-wave oven	MW-Combi
Construction type	Built-in
Type of control	Electronic
Type of control settings	Touch-control
Additional cooking method Grill	Yes
Crisp	Yes
Steam	No
Additional cooking method Fan cooking	Yes
Clock	Yes
Automatic programmes	Yes
Height of the product	455
Width of the product	559
Depth of the product	543
Minimum niche height	450
Minimum niche width	560
Niche depth	550
Net weight (kg)	41.6
Cavity capacity (l)	53
Turntable	No
Turntable diameter (mm)	0
Integrated Cleaning system	Hydrolytic

TECHNICAL FEATURES

Current (A)	16
Voltage (V)	220-240
Frequency (Hz)	50
Length of Electrical Supply Cord (cm)	150
Plug type	UK
Timer	Yes
Grill power (W)	2000
Type of grill	Heating element
Cavity material	Enamelled
Interior light	Yes
Additional cooking method Grill	Yes
Position of interior lights of the cavity	Right side
Maximum Air flow -	0
Minimum air flow -	0
Sound power at max. speed (2010/30/EU) -	0
Sound power at min. speed (2010/30/EU) -	0

PERFORMANCES

6th Sense / Dynamic Intelligence	6th Sense
Number of power levels	7
Maximum micro-wave power (W)	950
Bread defrost	Yes
Jet defrost	Yes
Jet start	Yes
Energy efficiency class - NEW (2010/30/EU) -	-