



EN	INSTALLATION MANUAL USER AND MAINTENANCE MANUAL INDUCTION BUILT IN HOB	3
IT	MANUALE D'INSTALLAZIONE MANUALE D'USO E MANUTENZIONE PIANO COTTURA INTEGRATO A INDUZIONE	27
FR	MANUEL D'INSTALLATION MANUEL D'UTILISATION ET D'ENTRETIEN PLAQUE À INDUCTION INTÉGRÉE	53
NL	INSTALLATIEHANDLEIDING GEBRUIKS- EN ONDERHOUDSHANDLEIDING INGEBOUWDE INDUCTIEKOOKPLAAT	77
SV	INSTALLATIONSHANDBOK BRUKS- OCH UNDERHÅLLSHANDBOK INBYGGD INDUKTIONSHÄLL	101

FROM THE DESK OF OUR PRESIDENT

Dear new owner of a Bertazzoni appliance,

I want to thank you for choosing one of our beautiful products for your home.

My family started manufacturing kitchen appliances in Italy in 1882, building a reputation for quality of engineering and passion for good food.

Today, our products stand out because of their unique blend of authentic Italian design and superior appliance technology. It is our mission to make products that function perfectly and bring joy to their owners.

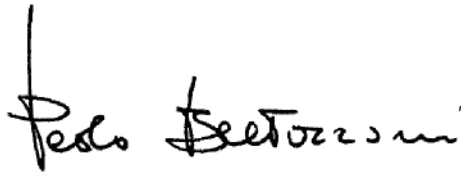
By making beautiful products we respond to our customers' flair for good design. By making them versatile and easy-to-use, cooking with Bertazzoni becomes a real pleasure.

This manual will help you learn to use and care for your Bertazzoni appliance in the safest and most effective way, so that it can give you the highest satisfaction for years to come.

Enjoy!

Paolo Bertazzoni

President

A handwritten signature in black ink that reads "Paolo Bertazzoni". The signature is written in a cursive style with a vertical line above the first letter 'P'.

USER MANUAL VALIDITY

The following manual is valid only for P604I2M28NVS product code.

CONTENTS

GENERAL INFORMATION	7
READING THE MANUAL	7
INTRODUCTION AND SAFETY	7
APPLIANCE IDENTIFICATION	8
GENERAL SAFETY INFORMATION	8
INSTALLATION	10
TECHNICAL MANUAL FOR THE INSTALLER	10
INFORMATION FOR THE INSTALLER	10
INSTALLING THE PRODUCT	10
INSTALLING THE HOB	11
SELECTION OF INSTALLATION EQUIPMENT	11
INSTALLATION PROCEDURE	12
CAUTIONS	12
CONNECTING THE HOB TO THE MAINS POWER SUPPLY	13
USE AND MAINTENANCE	14
USE	14
IMPORTANT WARNINGS FOR THE USER	14
INDUCTION HOB	15
COOKTOP LAYOUT	15
USING THE TOUCH CONTROLS	17
CHOOSING THE RIGHT COOKWARE	17
USING YOUR INDUCTION HOB	18
SPECIAL FUNCTIONS	20
CARE AND MAINTENANCE	22
INDUCTION HOB	22
GLASS	22
APPLIANCE CLEANLINESS	23
TROUBLE SHOOTING	24
WARRANTY	25
WARRANTY AND SERVICE	25

GENERAL INFORMATION

READING THE MANUAL

These instructions are suitable for different types of appliances, so they may contain descriptions of functions which your appliance may not contain or support.

The images and illustrations in this document refer to various models and may differ slightly from the product purchased.

The manufacturer does not accept any responsibility for personal injury or damage to property arising from incorrect installation or misuse of the appliance.

The manufacturer reserves the right to modify the various models as required to comply with the technical regulations in force.

In the event of complaints, please contact the customer service.

INTRODUCTION AND SAFETY

Read the instructions provided in this manual carefully before installing and/or using the appliance.

This will help you to get to know your new device.

Keep this document to hand so that you consult it at any moment, and hand it on to any subsequent owners.

Read the safety messages provided in the introduction to this manual and give due consideration to the safety notes such as: "Attention", "Warning" and "Danger" which appear in the text.



DANGER

This symbol indicates a situation that is a danger to you and others. Read it carefully and make sure that you have perfectly understood the causes of potential dangerous or fatal accidents.



WARNING

This symbol indicates safety information. Read it carefully and make sure that you have perfectly understood the causes of potential dangerous accidents.



CAUTION

This symbol indicates a procedure which could put the appliance's structure or components at risk. Take particular care over these procedures.



NOTE

This symbol indicates useful advice and draws your attention to correct procedures and practices. Complying with the instructions marked with this symbol will avoid problems for you.

The symbol highlights methods or procedures for correct use of the appliance.

GENERAL INFORMATION

APPLIANCE IDENTIFICATION

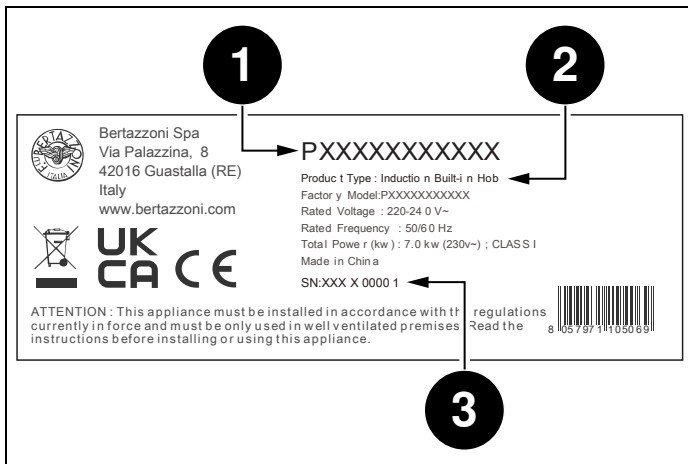


Fig. 1

The dataplate contains the following information:

- 1) Sales Code
- 2) Model
- 3) Serial Number

GENERAL SAFETY INFORMATION

This appliance complies with European directive 2012/19/EU (RoHS).



This appliance is tagged in accordance with European directive 2012/19/EC regarding waste electrical and electronic equipment (WEEE).

This directive contains the regulations governing the collection and recycling of decommissioned appliances throughout the European Union.



The symbol of a waste bin with a cross over it which appears on the product indicates that Waste Electrical and Electronic Equipment (WEEE) must not be thrown away with ordinary urban waste but must be disposed of separately, so it can undergo special processing to enable its reuse or specific treatment for safe removal and disposal of any substances harmful to the environment and extraction of raw materials which can be recycled.

Therefore, WEEE must be delivered to Recycling Centres run by Municipal Authorities or Waste Management Companies. What's more, when a new appliance is purchased WEEE can be consigned to the retailer, who is obliged to take it back free of charge ("1:1" take-back). "Very small" WEEE (with no dimension exceeding 25 cm) can be consigned to retailers free of charge even when no purchase is made ("0:1" take-back - which however is only compulsory for stores with sales area of over 400 m²).



DANGER

This appliance is not intended for use by people, including children, with reduced mental or motor capabilities, or who do not have experience in or knowledge of the product's operation. These persons may only use the appliance under the supervision of a person responsible for their safety and with suitable instruction in use of the appliance.



DANGER

If the surface of the induction hob is cracked, switch the appliance off to avoid the risk of electric shocks.



DANGER

Fire hazard: do not leave inflammable objects on cooking surfaces.

GENERAL INFORMATION



DANGER

Automatic cooking on the hob with fat or oil may be hazardous and may cause fires. If a fire breaks out, do not attempt to put it out with water. Switch the appliance off and cover the flames with a lid or a fire blanket.



DANGER

This appliance can be used by children over 8 years of age and persons with reduced physical, sensory or mental capabilities, or without the necessary of experience and knowledge, provided they are supervised or have received instruction concerning safe use of the appliance and an understanding of the hazards involved. Children must not play with the appliance. Cleaning and user maintenance must not be carried out by unsupervised children.



WARNING

The appliance and its accessible parts become very hot during use. Do not touch the heating elements. Children under 16 years of age must be kept away from the appliance unless constantly supervised.

Do not touch the heating elements of the hob and/or inside the oven.



WARNING

Accessible parts may become hot during use. Children must be kept well away.



WARNING

Make sure that the appliance is disconnected from the electrical mains before replacing the lamp to avoid possible electric shocks.



WARNING

Do not use steam cleaners to clean the appliance.



WARNING

Do not use an external timer or other remote control systems to operate the appliance.

TECHNICAL MANUAL FOR THE INSTALLER

INFORMATION FOR THE INSTALLER

The listed installation, adjustment, conversion and maintenance procedures must only be performed by qualified staff in accordance with the current regulatory framework.



DANGER

Incorrect installation may cause injury to people and pets or damage to property, for which the manufacturer cannot be held liable.

During the lifetime of the system, appliance safety or automatic adjustment devices may only be modified by the manufacturer or the duly authorised installer.

INSTALLING THE PRODUCT



NOTE

Remove all parts of the packaging from the appliance before disposing of the packaging.



NOTE

Remove all packaging and protective films prior to installation.



DANGER

Keep all parts of the packaging (expanded polystyrene, bags, cardboard box, nails) out of reach of children since they are dangerous items.



DANGER

Make sure that the product is intact after removing the internal and external packaging from the various movable parts and before proceeding with installation. If in doubt, do not use the appliance and contact qualified staff.



WARNING

The air vent flue must be constructed in accordance with regional regulations and laws.



WARNING

Sufficient air intake must be guaranteed.



CAUTION

Any vertical surfaces of adjacent furniture units and the wall behind the product must be in heat-resistant material able to withstand a temperature of 90°C.

INSTALLING THE HOB

SELECTION OF INSTALLATION EQUIPMENT

Cut out the work surface according to the sizes shown in the Fig. 2 . For the purpose of installation and use, a minimum of 5 cm space shall be preserved around the hole.

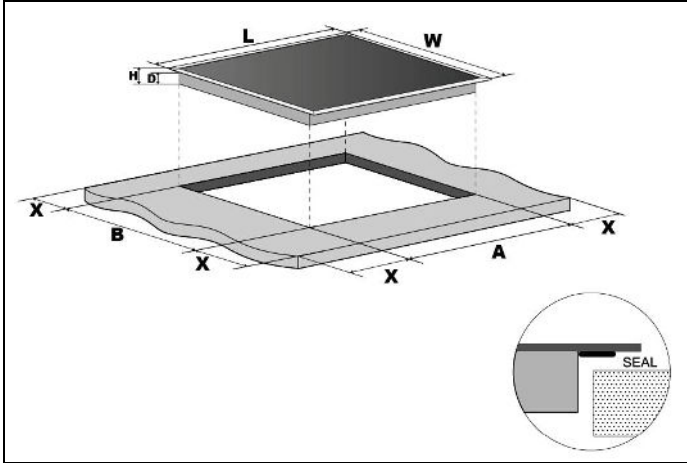


Fig. 2

L (MM)	W (MM)	H (MM)	D (MM)	A (MM)	B (MM)	X (MM)
590	520	60	56	560	480	50 MIN

Be sure the thickness of the work surface is at least 30 mm. Please select heat-resistant work surface material to avoid larger deformation caused by the heat radiation from the hotplate.

Under any circumstances, make sure the cooktop hob is well ventilated and the air inlet and outlet are not blocked. Ensure the cooktop hob is in good work state.

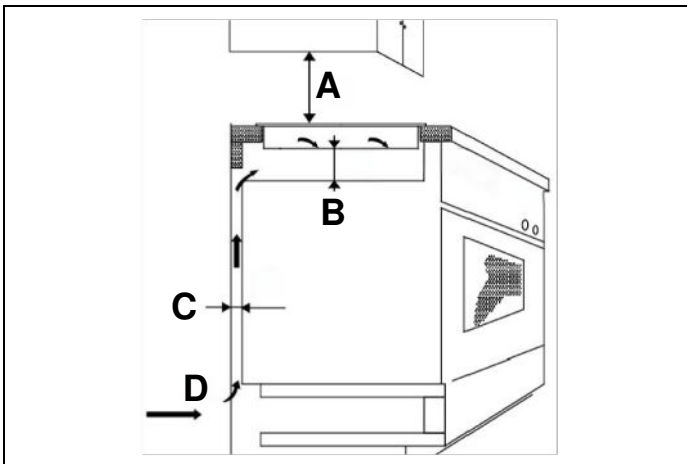


Fig. 3

A(MM)	B(MM)	C(MM)	D
650	20 MIN	20 MIN	Airintake



NOTE

The safety distance between the hotplate and the cupboard above the hotplate should be at least 650 mm.

BEFORE YOU INSTALL THE HOB, MAKE SURE THAT

- The work surface is square and level, and no structural members interfere with space requirements.
- The work surface is made of a heat-resistant material.
- If the hob is installed above an oven, the oven has a built-in cooling fan.
- The installation will comply with all clearance requirements and applicable standards and regulations.
- A suitable isolating switch providing full disconnection from the mains power supply is incorporated in the permanent wiring, mounted and positioned to comply with the local wiring rules and regulations.
- The isolating switch must be of an approved type and provide a 3 mm air gap contact separation in all poles (or in all active [phase] conductors if the local wiring rules allow for this variation of the requirements).
- The isolating switch will be easily accessible to the customer with the hob installed.
- You consult local building authorities and by-laws if in doubt regarding installation.
- You use heat-resistant and easy-to-clean finishes (such as ceramic tiles) for the wall surfaces surrounding the hob.

WHEN YOU HAVE INSTALLED THE HOB, MAKE SURE THAT

- The power supply cable is not accessible through cupboard doors or drawers.
- There is adequate flow of fresh air from outside the cabinetry to the base of the hob.
- If the hob is installed above a drawer or cupboard space, a thermal protection barrier is installed below the base of the hob.
- The isolating switch is easily accessible by the customer.

INSTALLING THE HOB

INSTALLATION PROCEDURE

- 1) Cut out worktop to supplied dimensions shown with suitable equipment. Seal the cut edge of the worktop using silicone or PTFE and allow to dry prior to fitting the hob.

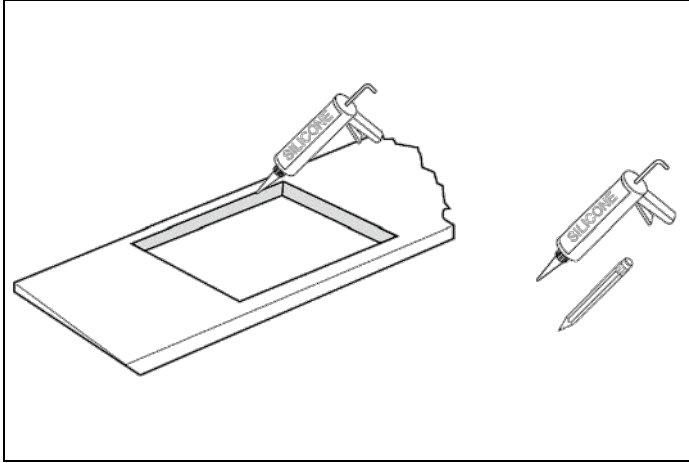


Fig. 4

- 2) Stretch out the supplied seal along the underside edge of the hob, ensuring the ends overlap.

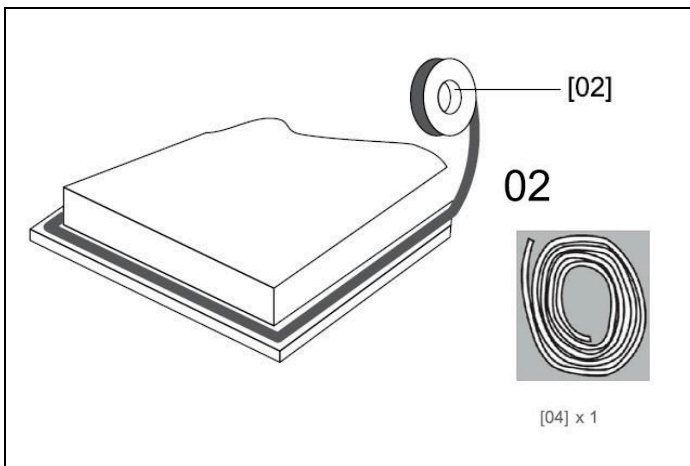


Fig. 5

- 3) Do not use adhesive to fix the hob into the worktop. Once the seal is fitted position the hob into the cutout in the worktop.

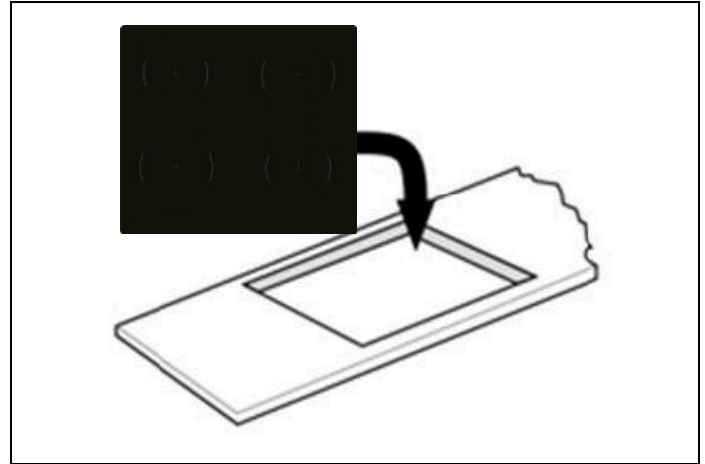


Fig. 6

- 4) Apply gentle downwards pressure onto the hob to push it into the worktop ensuring a good seal around the outer edge.

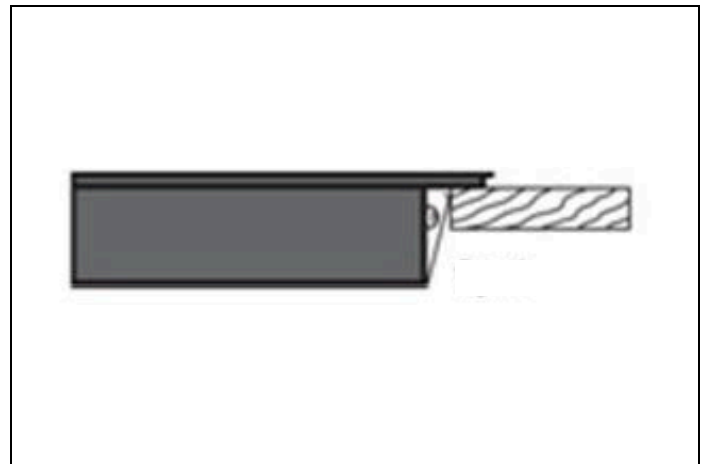


Fig. 7

CAUTIONS

- 1) The ceramic hotplate must be installed by qualified personnel or technicians. We have professionals at your service. Please never conduct the operation by yourself.
- 2) The hob will not be installed directly above dishwasher, fridge, freezer, washing machine or clothes dryer, as the humidity may damage the hob electronics.
- 3) The ceramic hotplate shall be installed such that better heat radiation can be ensured to enhance its reliability.
- 4) The wall and induced heating zone above the table surface shall withstand heat.
- 5) To avoid any damage, the sandwich layer and adhesive must be resistant to heat.

INSTALLING THE HOB

CONNECTING THE HOB TO THE MAINS POWER SUPPLY

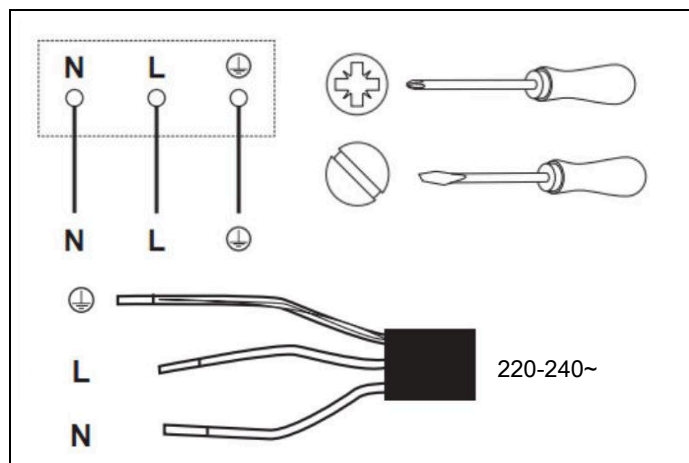
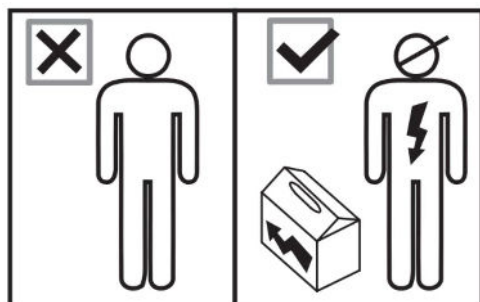


Fig. 8

All installation work must be carried out by a competent person or qualified electrician. Before connecting the mains supply ensure that the mains voltage corresponds to the voltage on the rating plate inside the cooktop hood.

- **L – Brown:** Live
- **N – Blue:** Neutral
- **⊕ – Green and Yellow:** Earth

THIS APPLIANCE REQUIRES A 32 AMP MINIATURE CIRCUIT BREAKER.

- If the cable is damaged or to be replaced, the operation must be carried out by the after-sale agent with dedicated tools to avoid any accidents.
- If the appliance is being connected directly to the mains an omnipolar circuit-breaker must be installed with a minimum opening of 3mm between contacts.
- The installer must ensure that the correct electrical connection has been made and that it is compliant with safety regulations.
- The cable must not be bent or compressed.
- The cable must be checked regularly and replaced by authorised technicians only.



WARNING

THIS APPLIANCE MUST BE EARTHED.



CAUTION

This hob must be connected to the mains power supply only by a suitably qualified person.

Before connecting the hob to the mains power supply, check that:

- 1) The domestic wiring system is suitable for the power drawn by the hob.
- 2) The voltage corresponds to the value given in the rating plate
- 3) The power supply cable sections can withstand the load specified on the rating plate.



CAUTION

To connect the hob to the mains power supply, do not use adapters, reducers or branching devices, as they can cause overheating and fire.



CAUTION

The power supply cable must not touch any hot parts and must be positioned so that its temperature will not exceed 180°C at any point.

This appliance is supplied with a 3 core mains cable coloured as shown in Fig. 8

IMPORTANT WARNINGS FOR THE USER



WARNING

Do not place metal items such as knives, forks, spoons or lids on the surface of the hob since they may become hot.



WARNING

After use, switch the hob elements off using their controls; do not rely on the pan sensor.



WARNING

Accessible parts may become overheat during use. Keep children well away from the appliance.



WARNING

Cooking processes must be monitored. A short cooking process must be constantly supervised.



WARNING

The appliance becomes hot during use. Avoid touching the heating elements inside the oven.



WARNING

The appliance is not intended to operate by means of an external timer or other remote control system.



CAUTION

Do not use abrasive cleaning products or sharp-edged metal scrapers to clean the glass of the oven door, since they may scratch its surface and the glass may break.

INDUCTION HOB

COOKTOP LAYOUT

HEATING ZONE POWER

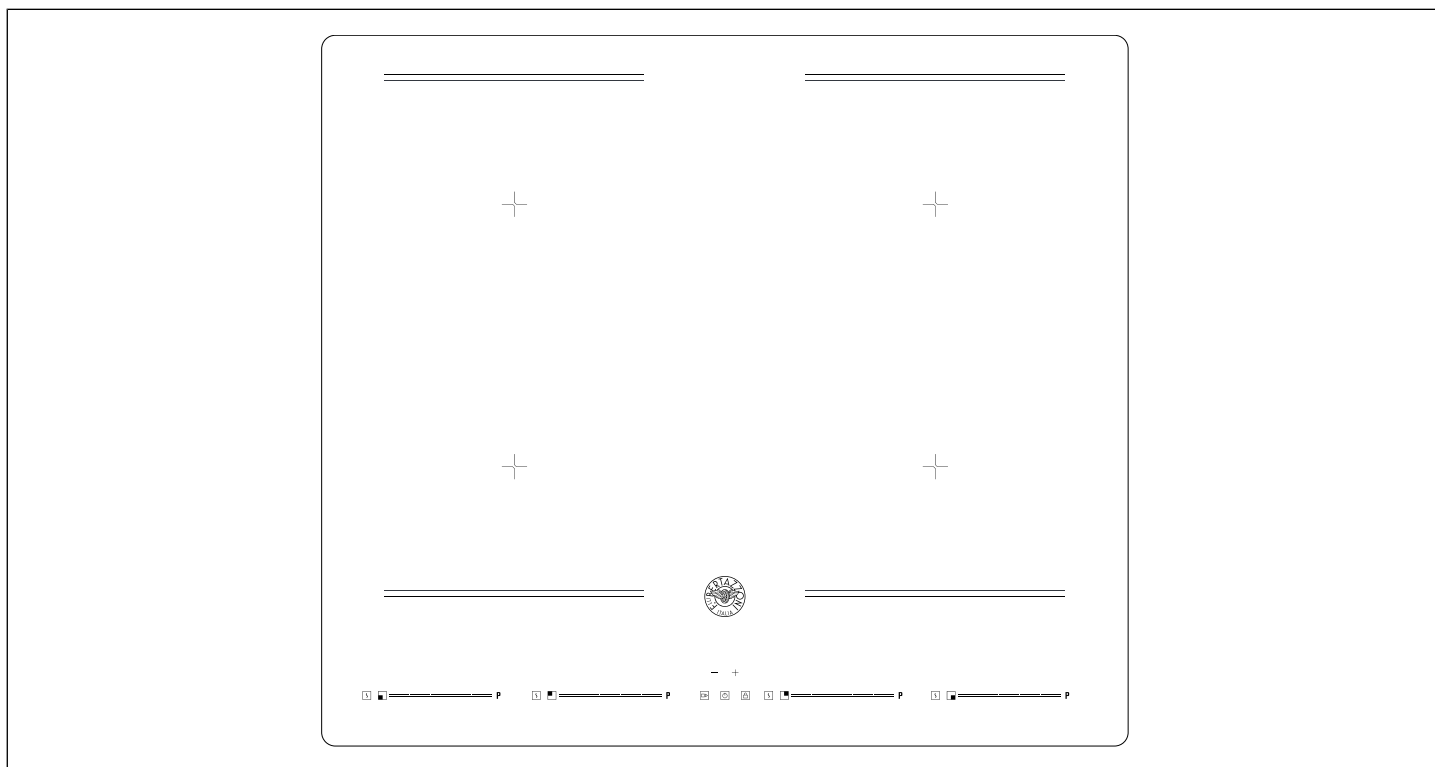






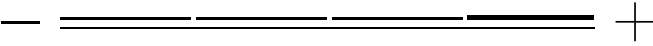





Fig. 9

COOKING ZONE	NORMAL POWER OPERATION (W)	WITH BOOSTER FUNCTION (W)	WITH DOUBLE BOOSTER FUNCTION (W)	WITH BRIDGE FUNCTION (W)
 Front left	2000	2600	2800	3000/3400/3600
 Rear left	1500	1800	2000	
 Rear right	1500	1800	2000	3000/3400/3600
 Front right	2000	2600	2800	
HEATING ZONE	POWER LIMITATION LEVELS		TOTAL RATING POWER	
Max.Power (220-240V~ 50/60Hz)	2800/4500/6000/7200W		7400W	

INDUCTION HOB

USER INTERFACE

	REFERENCE	DESCRIPTION
A		Zone select key
B		ON/OFF key
C		Timer regulating key (reduce)
D		Timer regulating key (increase)
E		Boost control key
F		Power Touch Slider Regulating Key
G		Child lock
H		Cooking function
I		Pause function

INDUCTION HOB

USING THE TOUCH CONTROLS

- The controls respond to touch, so you don't need to apply any pressure.
- Use the ball of your finger, not its tip.
- You will hear a beep each time a touch is registered.
- Make sure the controls are always clean, dry, and that there is no object (e.g. a utensil or a cloth) covering them. Even a thin film of water may make the controls difficult to operate.

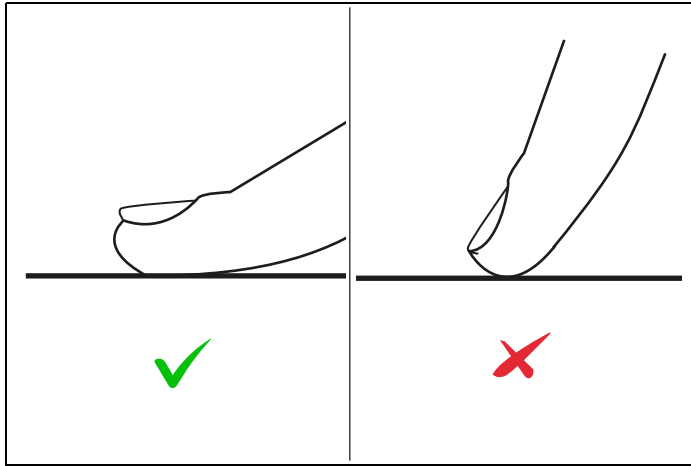


Fig. 10

CHOOSING THE RIGHT COOKWARE

Do not use cookware with jagged edges or a curved base.

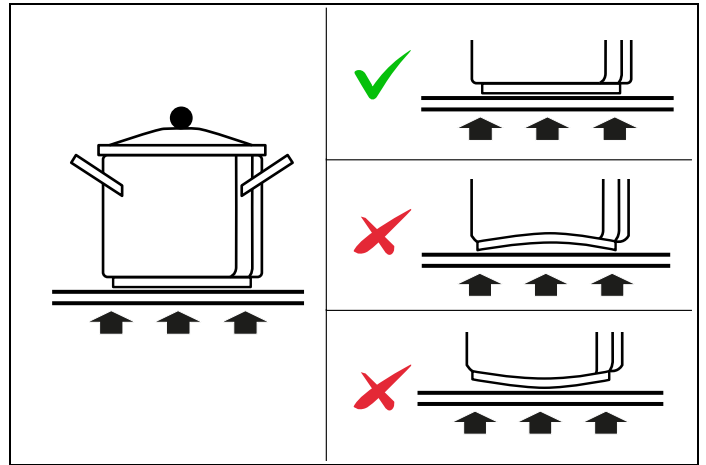


Fig. 11

Make sure that the base of your pan is smooth, sits flat against the glass, and is the same size as the cooking zone.

Use pans whose diameter is as large as the graphic of the zone selected. Using a pot a slightly wider energy will be used at its maximum efficiency. If you use smaller pot efficiency could be less than expected. Always centre your pan on the cooking zone.

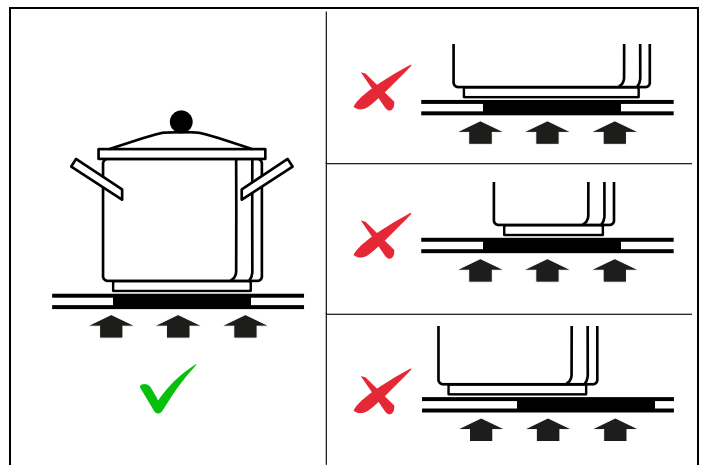


Fig. 12

Always lift pans off the hob – do not slide, or they may scratch the glass.

INDUCTION HOB

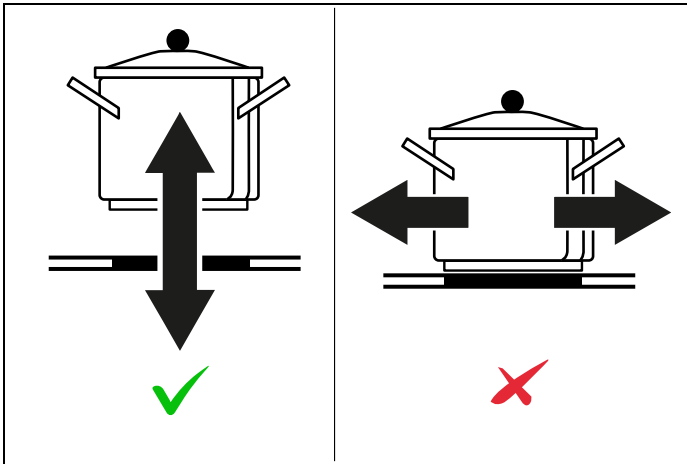


Fig. 13

The bottom of the pan must be iron or steel/iron to generate the magnetic field necessary for the heating process.




NOTE

Pans made from the following materials are not suitable:

- glass
- porcelain
- pottery
- steel, aluminium or copper without magnetic bottom.

To check that a pan is suitable, simply put a little water in the pan, place it on a cooking zone and switch the zone on.

If  appears on the display instead of the power, the pan is not suitable.

Make sure that the material of the pan is suitable for induction. For checking the material place a magnet at the bottom of the pan, if it sticks, the pan is appropriate for induction.

USING YOUR INDUCTION HOB

TO START COOKING

- 1) Place a suitable pan on the cooking zone that you wish to use. Make sure the bottom of the pan and the surface of the cooking zone are clean and dry.

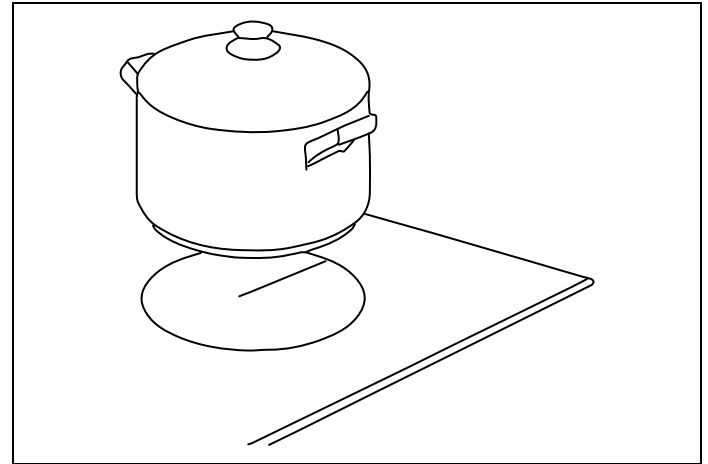


Fig. 14

- 2) Touch the ON/OFF key

After power on, the buzzer beeps once, all displays show " 8 ", indicating that the hob has entered the state of standby mode.

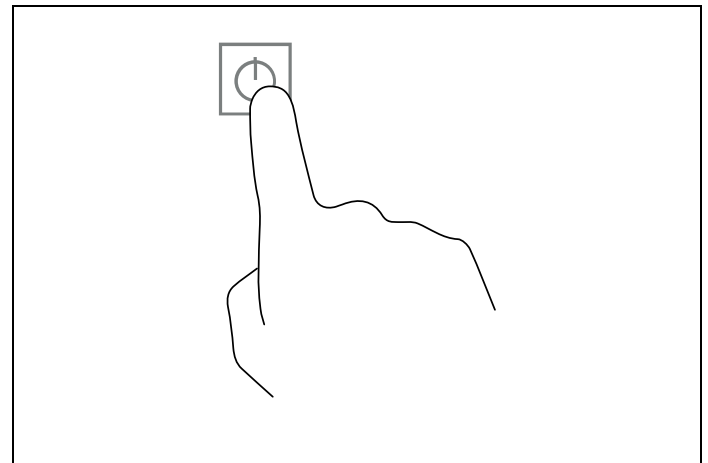


Fig. 15

INDUCTION HOB

- 3) According to the heating zone where the pan is placed, adjust heat setting by touching the slider regulating key control.

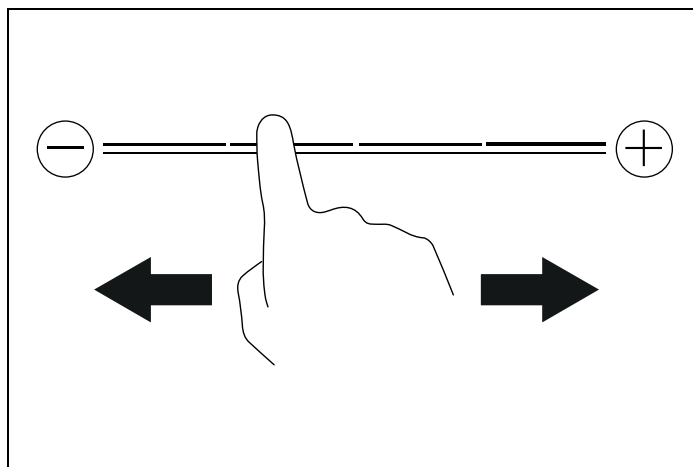


Fig. 16

- If you don't choose a heat setting within 20 seconds, the induction hob will automatically switch off. You will need to start again at step 2.
- You can modify the heat setting at any time during cooking.

USING CHILD LOCK FUNCTION

- You can lock the controls to prevent unintended use (for example children accidentally turning the cooking zones on).
- When the controls are locked, all the controls except the OFF control are disabled.

TO LOCK THE CONTROLS

Touch the child lock key for 3 seconds. The indicator above the child lock key will be on and the timer indicator will show "Lo".

TO UNLOCK THE CONTROLS


- 1) Make sure the hob is turned on.
- 2) Touch and hold the keylock control for a while.
- 3) You can now start using your induction hob.



NOTE


When the hob is in the lock mode, all the controls are disabled except OFF, you can always turn the hob off with the OFF control in an emergency, but you shall unlock the hob first in the next operation.

USING THE TIMER

- You can set it to turn one cooking zone off after the set time is up.
 - You can set the timer for up to 99 minutes.
- 1) Select the relevant cooking zone which is working by touching the zone select key.
 - 2) Press the "+" or "-". The timer indicators will show 01 (pressing +) or 00 (pressing -)
 - 3) Using the "+" or "-" buttons, you can realize the setting of timing from 1 to 99 minutes.
 - 4) When the time is set, it will begin to count down immediately. The indicator will return to show power level after 10 seconds. The power level indicator will always remain active and the timer icon  will be displayed.
 - 5) If you need to check the remaining time, you can operate step 1 and step 2 again.
 - 6) When cooking timer expires, the corresponding cooking zone will be switched off automatically. Other cooking zones will keep operating if they are turned on previously.

USING THE FLEX-ZONE FUNCTION

For activating the Flex-zone function:

- 1) Simultaneously press anywhere on the left and right side of the slider bar. For instance, press level 1 on the left side and level 8 on the right side. The Flex-zone icon  will be displayed indicating the function has been activated.
- 2) After the flex-zone icon appears, the display will switch to level 5 automatically. Once level 5 is shown, you can adjust the desired level by simply touching the slider bar.
- 3) If you want to cancel the flex-zone function, press the left and right zone scroll bars simultaneously and the zones will be reset to zero.



USING THE BOOSTER & DOUBLE BOOSTER ZONE

- You can use the booster/ double booster function by pressing the booster key
- Touch booster key once, the display area will show **p**, indicating that the hob has entered the booster mode. After entering the booster mode, touch the booster key again, the display area will show **B**, indicating that the hob has entered the double booster mode.

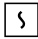
INDUCTION HOB




USING THE PAUSE & RECALL FUNCTION

The pause function can be used at any time during cooking. Allows stop the hob and restore cooking without losing any adjustments.

- 1) Make sure the cooking zone is running.
- 2) Press the  button. The Cooking zone indicators will show . The hob Will Be deactivated, except for the Pause & Recall, ON/OFF and Child Lock. .
- 3) To Cancel the pause, press the Pause & Recall button again; the indicators will start flashing, then within 10 seconds press any button (other than the Pause & Recall button) to reactivate the zones in operation.

USING THE COOKING FUNCTION

Touch the cooking zone selection button that you wish to use, then touch . The cooking zone indicator will show one of the icon below for each cooking function:

-  Melt or defrost (about 50°C)
-  Heating or keeping warm (about 70°C)
-  Simmering, temperature close to boiling, useful for slow cooking

SPECIAL FUNCTIONS

PROTECTION FROM OVER-HEATING

A sensor monitors the temperature in the cooking zones. When the temperature exceeds a safe level, the cooking zone is automatically switched off.

RESIDUAL HEAT INDICATOR

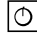
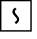




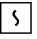


When the hob has been operating for some time, there will be some residual heat. The letter **H** appears to warn you that it is too hot to touch the surface.

AUTOMATIC POT DETECTION

Placing the pan on the desired cooking zone, the specific power indicator will automatically light up.

POWER LIMITATION

The power limitation function adapts the appliance's power draw to the electrical power available in the home. To activate the function, proceed as follows:

- 1) Press  for 3 seconds. The display will show -.
- 2) Simultaneously press the cooking function key  of the rear left heating zone and . The display shows 
- 3) Press . The display will show 
- 4) Simultaneously press the cooking function key  of the rear left heating zone and . The display will show the current Max Power setting values **28/45/60/72**".
- 5) Press "-" or "+" keys, to change and reset your expecting power 9000 W / 3500 W / 2800 W.
- 6) Press  to save the setting and exist this mode.

INDUCTION HOB

AUTO SHUTDOWN PROTECTION

Auto shut down is a safety protection function for your induction hob. It shuts down automatically if ever you forget to turn off your cooking. The default working times for various power levels are shown in the below table:

POWER LEVEL	DEFAULT WORKING TIMER (MIN)
1-3	360
4-6	180
7-8	120
9	90



NOTE

Protection against unintended operation.

If the electronic control detects a button being held down for approx. 10 seconds it will switch off automatically. The control sends out an audible error signal to warn the sensors have detected the presence of an object. The display will indicate an error code **ER03**. If the hob is still hot, the display **H** and **0** flash alternatively.

CARE AND MAINTENANCE



WARNING

Always switch off the electricity supply before performing maintenance work. In the event of a fault, contact customer services.



WARNING

Always disconnect the appliance from the electrical mains before cleaning.



WARNING

Do not use steam cleaners when cleaning.



Damaged power cables should be replaced by a competent person or qualified electrician.



For domestic use only.



Never place an empty pan on the hob as this will cause an error message to appear on the control panel.



When a cooking zone has been on for a long time, the surface remains hot for some time afterwards so do not touch the ceramic surface.



For sealed foods, please do not heat them before opening removing the lid so as to avoid any dangers of explosion due to heating expansion.



If the surface of the hob is cracked, disconnect from power supply to avoid any possibility of electric shocks.



Do not place rough or uneven pans on the hob, as they could damage the ceramic surface.



Avoid banging pots and pans down on the hob. The ceramic surface is tough but not unbreakable.



Do not put detergents or flammable materials beneath the hob.

INDUCTION HOB

Before starting cleaning, leave the hob to cool until the heat warning light goes out.

Do not use abrasive pastes or powders or metallic sponges. All water, food and detergent residues must be removed before reuse.

Remove light dirt with a soft cloth dipped in water and detergent then polish with a microfibre cloth.

For the most stubborn stains, use a specific product, following the producer's instructions for use.

In case of spills of very sugary materials (such as jam) or if plastic or metals are accidentally melted onto the surface, switch the hob off and remove the dirt immediately, taking great care because the hob and dirt will be very hot.

GLASS

Clean with a soft cloth wet with hot water and liquid detergent. Dry with a microfibre cloth.

Stubborn dirt can be removed with a cream detergent. Do not use sharp objects as they may scratch the glass.

CARE AND MAINTENANCE

APPLIANCE CLEANLINESS



CAUTION

Avoid rubbing with any abrasive or with the base of the pans, etc, as this will wear the markings on the top of the induction hob over time.



CAUTION

Clean the induction hob on a regular basis to prevent the build up of food residue.

- The appliance should be cleaned after use.
- The surface of the induction hob may be easily cleaned as explained in the table below.

By means of a scraper immediately remove any aluminum foil bits, food spills, grease splashes, sugar marks and other high sugar content food from the surface in order to avoid damaging the hob. Subsequently clean the surface with some towel and appropriate product, rinse with water and dry by means of a clean cloth. Under no circumstance should sponges or abrasive cloths be used, also avoid using aggressive chemical detergents such as oven sprays and spot removers.

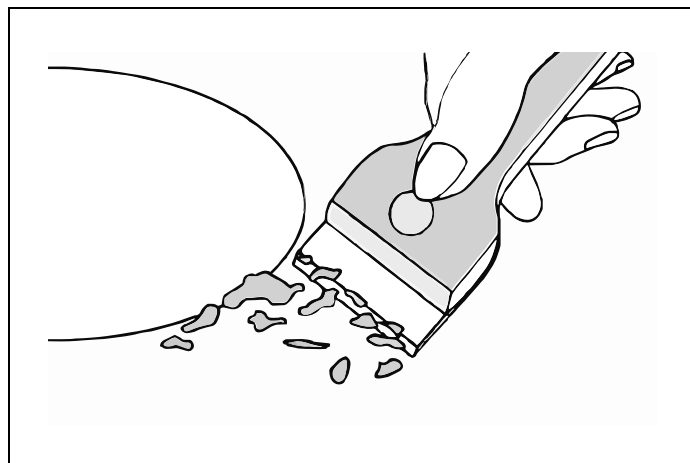


Fig. 17

TYPE OF DIRT	CLEANING METHOD	CLEANING MATERIALS
Lime scale	Apply white vinegar to the surface, then wipe it dry with soft cloth	Special ceramic cleaner
Burnt-on stains	Clean with damp cloth and dry it with a soft cloth	Special ceramic cleaner
Light stains	Clean with damp cloth and dry it with a soft cloth	Cleaning sponge
Melted plastics	Use a scraper suitable for ceramic glass to remove residue	Special ceramic cleaner

TROUBLE SHOOTING

Before calling the customer services, please check that the appliance is correctly connected, any of the following cases are not covered by the guarantee

- Damage caused by improper use, storage or maintenance.
- Damage caused by unauthorised disassembly and repair.
- Damage caused by misuse.
- Using the induction hob for commercial purposes.

If an abnormality comes up, the induction hob will enter the protective state automatically and display corresponding protective codes shown in the table below.



CAUTION

Do not disassemble the unit by yourself to avoid any dangers and damages to the induction hob. If further service is needed, please contact the supplier.

ERROR CODE	POSSIBLE CAUSE	WHAT TO DO
	No pot or pot not suitable;	Replace the pot;
ER03	Water or pot on the glass over the control	Clean the user interface
F1E	The connection between the display board and the left mainboard is fail (the cooking zone which indicator showing E)	1) Connection cable not correctly plugged or defective; 2) Replace the Mainboard.
F3E	Coil temperature sensor failure. (the cooking zone which indicator showing E)	Replace the coil sensor
F4E	Mainboard temperature sensor failure. (the cooking zone which indicator showing "E")	Replace the mainboard
E1E	Temperature sensor of the ceramic glass plate is high	Please restart after the induction hob cools down.
E2 E	Temperature sensor of the IGBT is high	Please restart after the induction hob cools down.
E3 E	Abnormal supply voltage (too high)	Please inspect whether power supply is normal; Power on after the power supply is normal.
E4 E	Abnormal supply voltage (too low)	Please inspect whether power supply is normal; Power on after the power supply is normal.
E5 E	Temperature sensor failure (the cooking zone which indicator showing E)	Connection cable not correctly plugged or assemble defective;

WARRANTY

WARRANTY AND SERVICE



Bertazzoni is committed to providing the highest quality service to our customers. In the unlikely event that your product should have a manufacturing defect, please contact our service team at:

<https://uk.bertazzoni.com/more/care-service>

You will be requested to provide product information, proof of purchase, a photo of the silver data label and a description of the issue. Please have this information ready.

DALLA SCRIVANIA DEL PRESIDENTE

Gentile Cliente,

grazie per aver scelto per la Sua casa la qualità degli elettrodomestici Bertazzoni.

È dal lontano 1882 che la mia famiglia costruisce cucine e si è dunque conquistata una solida reputazione per l'eccellenza della sua ingegneria, nata dalla passione per la buona tavola.

Oggi, i nostri prodotti si distinguono per il loro mix esclusivo di autentico design italiano e tecnologia di alto livello. La nostra missione è quella di costruire elettrodomestici dal funzionamento perfetto, che soddisfino pienamente chi li usa.

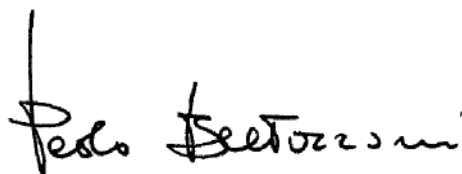
Creando prodotti di elevata qualità estetica, rispondiamo alle esigenze dei nostri clienti. I nostri elettrodomestici sono inoltre versatili e maneggevoli, perciò cucinare con Bertazzoni diventa un vero piacere.

Questo manuale La aiuterà ad utilizzare e a prendersi cura del Suo prodotto Bertazzoni nel modo più sicuro ed efficiente, affinché Le possa dare la massima soddisfazione per molti anni a venire.

Spero che sia di Suo completo gradimento!

Paolo Bertazzoni

Presidente

A handwritten signature in black ink, reading "Paolo Bertazzoni". The signature is written in a cursive, flowing style with a vertical line above the first letter 'P'.

VALIDITÀ DEL MANUALE PER L'UTENTE

Il seguente manuale è valido esclusivamente per il codice prodotto P604I2M28NVS.

INDICE

INFORMAZIONI GENERALI	31
LETTURA DEL MANUALE	31
INTRODUZIONE E SICUREZZA	31
IDENTIFICAZIONE DELL'ELETTRODOMESTICO	32
INFORMAZIONI GENERALI DI SICUREZZA	32
INSTALLAZIONE	34
MANUALE TECNICO PER L'INSTALLATORE	34
INFORMAZIONI PER L'INSTALLATORE	34
INSTALLAZIONE DEL PRODOTTO	34
INSTALLAZIONE DEL PIANO COTTURA	35
SELEZIONE DELL'ATTREZZATURA DI INSTALLAZIONE	35
PROCEDURA DI INSTALLAZIONE	36
ATTENZIONE	37
COLLEGAMENTO DEL PIANO COTTURA ALLA RETE ELETTRICA	37
USO E MANUTENZIONE	39
USO	39
AVVERTENZE IMPORTANTI PER L'UTENTE	39
PIANO COTTURA A INDUZIONE	40
DISPOSIZIONE DEL PIANO COTTURA	40
UTILIZZO DEI COMANDI TOUCH	42
SCELTA DEI RECIPIENTI DI COTTURA PIÙ APPROPRIATI	42
USO DEL PIANO COTTURA A INDUZIONE	43
FUNZIONI SPECIALI	45
CURA E MANUTENZIONE	47
PIANO COTTURA A INDUZIONE	47
VETRO	47
PULIZIA DELL'ELETTRODOMESTICO	48
RISOLUZIONE DEI PROBLEMI	49
GARANZIA	50
DICHIARAZIONE DI GARANZIA CONVENZIONALE	50
ART. 1 - OGGETTO DELLA GARANZIA	50
ART. 2 - DURATA E CONDIZIONI DI VALIDITÀ	50
ART. 3 - CLAUSOLE DI ESCLUSIONE	51
ART. 4 - LIMITAZIONI DELLA RESPONSABILITÀ DEL PRODUTTORE	51
ART. 5 - PROCEDURA PER ATTIVARE LA GARANZIA CONVENZIONALE	51

INFORMAZIONI GENERALI

LETTURA DEL MANUALE

Queste istruzioni sono adatte a diversi tipi di apparecchi, pertanto potrebbero contenere descrizioni di funzioni che questo elettrodomestico potrebbe non contenere o non supportare.

Le immagini e le illustrazioni contenute in questo documento si riferiscono a vari modelli e potrebbero differire leggermente dal prodotto acquistato.

Il produttore declina qualsiasi responsabilità per danni a persone o cose derivanti da un'installazione non corretta o da un uso improprio dell'elettrodomestico.

Il produttore si riserva il diritto di modificare i vari modelli in base alle esigenze di conformità alle normative tecniche in vigore.

In caso di reclami, contattare l'assistenza clienti.

INTRODUZIONE E SICUREZZA

Prima di installare e/o utilizzare l'apparecchio, leggere attentamente le istruzioni presenti in questo manuale.

Questo contribuirà a conoscere meglio il nuovo dispositivo.

Conservare questo documento a portata di mano per poterlo consultare in qualsiasi momento e consegnarlo ad eventuali proprietari futuri.

Leggere i messaggi di sicurezza forniti nell'introduzione al presente manuale e prestare la necessaria attenzione alle note di sicurezza, ad esempio: "Attenzione", "Avvertenza" e "Pericolo" che appariranno nel testo.



PERICOLO

Questo simbolo indica una situazione che costituisce un pericolo per l'utente e per altre persone. Leggere attentamente e assicurarsi di aver perfettamente compreso le cause di incidenti potenzialmente pericolosi o letali.



AVVERTENZA

Questo simbolo indica informazioni di sicurezza. Leggere attentamente e assicurarsi di aver perfettamente compreso le cause di incidenti potenzialmente pericolosi.



ATTENZIONE

Questo simbolo indica una procedura che potrebbe comportare un rischio per la struttura o i componenti dell'elettrodomestico. Prestare particolare attenzione a queste procedure.



NOTA

Questo simbolo indica suggerimenti utili e indirizza l'attenzione su procedure e pratiche corrette. Osservare le istruzioni contrassegnate da questo simbolo consente di evitare problemi.

Il simbolo evidenzia metodi e procedure per un utilizzo corretto dell'elettrodomestico.

IDENTIFICAZIONE DELL'ELETTRODOMESTICO

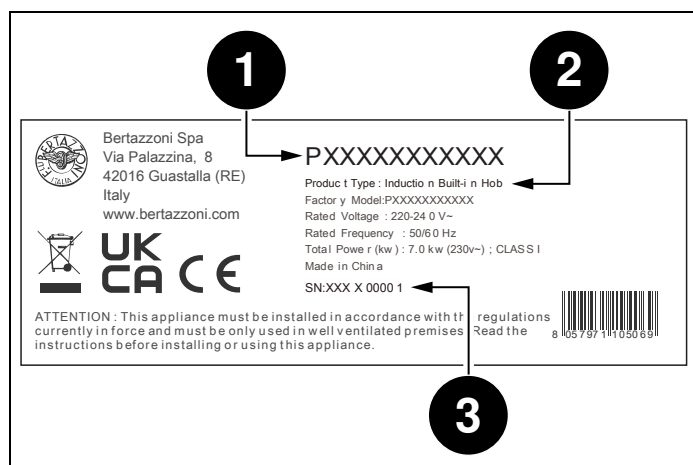


Fig. 1

La targhetta contiene le seguenti informazioni:

- 1) Codice di vendita
- 2) Modello
- 3) Numero di serie

INFORMAZIONI GENERALI DI SICUREZZA

Questo elettrodomestico è conforme alla direttiva europea 2011/65/UE (RoHS).



Sull'elettrodomestico è riportato il simbolo di conformità alla direttiva europea 2012/19/UE (WEEE, Waste Electrical and Electronic Equipment) in materia di Rifiuti di apparecchiature elettriche e elettroniche - RAEE.

Questa direttiva contiene le norme che regolano la raccolta e il riciclaggio degli apparecchi dismessi in tutta l'Unione Europea.



Il simbolo di un cassonetto con una croce sopra che compare sul prodotto indica che i Rifiuti di Apparecchiature Elettriche ed Elettroniche (RAEE) non devono essere gettati insieme ai normali rifiuti urbani, ma devono essere smaltiti separatamente, in modo da poter essere sottoposti a trattamenti speciali che ne consentano il riutilizzo o a trattamenti specifici per la rimozione e lo smaltimento in sicurezza di eventuali sostanze nocive per l'ambiente e l'estrazione di materie prime che possono essere riciclate.

Pertanto, i RAEE devono essere consegnati ai Centri di Riciclaggio gestiti dalle Amministrazioni Comunali o dalle Società di Gestione dei Rifiuti. Inoltre, quando si acquista un nuovo elettrodomestico, i RAEE possono essere consegnati al rivenditore, che è tenuto a ritirarli gratuitamente (ritiro "1:1"). I RAEE "molto piccoli" (con dimensioni non superiori a 25 cm) possono essere consegnati gratuitamente ai rivenditori anche quando non viene effettuato alcun acquisto (ritiro "0:1" - che tuttavia è obbligatorio solo per i negozi con una superficie di vendita superiore a 400 m²).



PERICOLO

Questo elettrodomestico non è destinato all'uso da parte di persone, compresi i bambini, con ridotte capacità mentali o motorie, o che non hanno esperienza o conoscenza del funzionamento del prodotto. Queste persone possono utilizzare l'apparecchio solo sotto la supervisione di una persona responsabile della loro sicurezza e con adeguate istruzioni per l'uso dell'elettrodomestico.

INFORMAZIONI GENERALI



PERICOLO

Se la superficie del piano cottura a induzione è incrinata, spegnere l'elettrodomestico per evitare il rischio di scosse elettriche.



PERICOLO

Rischio di incendi: non lasciare oggetti infiammabili sulle superfici di cottura.



PERICOLO

La cottura automatica sul piano cottura con grassi o oli può essere pericolosa e causare incendi. In caso di incendio, non tentare di spegnerlo con l'acqua. Spegner l'apparecchio e coprire le fiamme con un coperchio o una coperta antincendio.



PERICOLO

Questo elettrodomestico può essere utilizzato da bambini di almeno 8 anni, da persone con ridotte capacità fisiche, sensoriali o mentali e da persone prive dell'esperienza e conoscenza necessarie, solo sotto stretta sorveglianza o se hanno appreso informazioni sull'utilizzo sicuro dell'elettrodomestico e sono consapevoli dei rischi che derivano dall'uso dello stesso. I bambini non devono giocare con l'elettrodomestico. La pulizia e la manutenzione da parte dell'utente non devono essere eseguite da bambini non sorvegliati.



AVVERTENZA

L'elettrodomestico e i suoi componenti accessibili diventano molto caldi durante l'uso. Non toccare gli elementi riscaldanti. I bambini di età inferiore ai 16 anni devono essere tenuti lontani dall'elettrodomestico, a meno che non siano costantemente sorvegliati.

Non toccare gli elementi riscaldanti del piano cottura e/o all'interno del forno.



AVVERTENZA

Le parti accessibili possono surriscaldarsi durante l'uso. I bambini devono essere tenuti lontani.



AVVERTENZA

Prima di sostituire la lampadina, assicurarsi che l'elettrodomestico sia scollegato dalla rete elettrica per evitare possibili scosse elettriche.



AVVERTENZA

Non utilizzare pulitrici a vapore per pulire l'elettrodomestico.



AVVERTENZA

Non utilizzare un timer esterno o altri sistemi di controllo a distanza per far funzionare l'elettrodomestico.

INFORMAZIONI PER L'INSTALLATORE

Le procedure di installazione, regolazione, conversione e manutenzione elencate devono essere eseguite solo da personale qualificato in conformità con il quadro normativo vigente.



PERICOLO

Un'installazione errata può causare lesioni a persone e animali domestici o danni materiali, per i quali il produttore non può essere ritenuto responsabile.

Durante la vita dell'impianto, i dispositivi di sicurezza o di regolazione automatica dell'elettrodomestico possono essere modificati solo dal produttore o dall'installatore debitamente autorizzato.

INSTALLAZIONE DEL PRODOTTO



NOTA

Rimuovere tutte le parti dell'imballaggio dall'apparecchio prima di smaltirlo.



NOTA

Prima dell'installazione, rimuovere tutti gli imballaggi e le pellicole protettive.



PERICOLO

Tenere tutte le parti dell'imballaggio (polistirolo espanso, sacchetti, scatola di cartone, chiodi) fuori dalla portata dei bambini, poiché si tratta di oggetti pericolosi.



PERICOLO

Assicurarsi che il prodotto sia integro dopo aver rimosso l'imballaggio interno ed esterno dalle varie parti mobili e prima di procedere all'installazione. In caso di dubbi, non utilizzare l'apparecchio e rivolgersi a personale qualificato.



AVVERTENZA

La cappa di ventilazione dell'aria deve essere realizzata in conformità alle normative e alle leggi regionali.



AVVERTENZA

Deve essere garantita una sufficiente aspirazione dell'aria.



ATTENZIONE

Le superfici verticali dei mobili adiacenti e la parete dietro il prodotto devono essere in materiale resistente al calore in grado di sopportare una temperatura di 90°C.

INSTALLAZIONE DEL PIANO COTTURA

SELEZIONE DELL'ATTREZZATURA DI INSTALLAZIONE

Praticare un foro sul top cucina attenendosi alle dimensioni indicate nella Fig. 2. Ai fini dell'installazione e dell'utilizzo, è necessario mantenere uno spazio minimo di 5 cm intorno al foro.

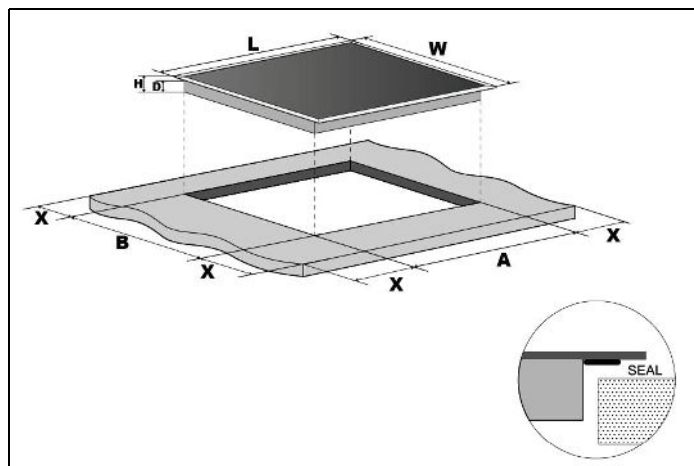


Fig. 2

L (MM)	W (MM)	H (MM)	D (MM)	A (MM)	B (MM)	X (MM)
590	520	60	56	560	480	50 MIN

Assicurarsi che lo spessore della superficie di lavoro sia di almeno 30 mm. Scegliere un materiale per il top cucina resistente al calore per evitare una maggiore deformazione causata dall'irraggiamento termico del piano cottura.

Accertarsi sempre che il piano cottura sia adeguatamente ventilato e che i fori di ingresso e uscita dell'aria non siano ostruiti. Assicurarsi che il piano cottura sia in buono stato di funzionamento.

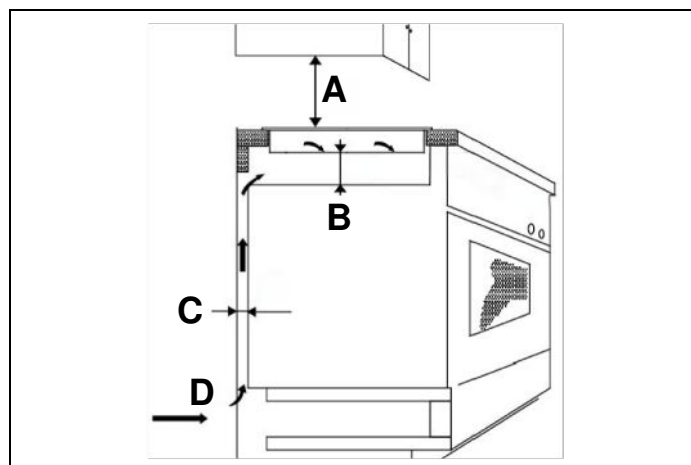


Fig. 3

A (MM)	B (MM)	C (MM)	D
650	20 MIN	20 MIN	Aspirazione aria

NOTA



La distanza di sicurezza tra il piano cottura e i pensili sovrastanti deve essere di almeno 650 mm.

PRIMA DELL'INSTALLAZIONE DEL PIANO COTTURA, ASSICURARSI CHE

- Il top cucina deve essere in squadra e livellato, senza elementi strutturali che interferiscono con i requisiti di spazio.
- Il top cucina deve essere realizzato in materiale resistente al calore.
- Se il piano cottura viene installato al di sopra di un forno, il forno deve essere dotato di una ventola di raffreddamento integrata.
- L'installazione deve essere conforme a tutti i requisiti di ingombro, oltre che a tutte le normative e disposizioni vigenti.
- Nel cablaggio permanente deve essere incorporato un apposito interruttore sezionatore che permetta di staccare completamente l'elettrodomestico dalla rete di alimentazione principale; tale interruttore deve essere montato e posizionato conformemente alle normative e alle disposizioni locali in materia di impianti elettrici.
- L'interruttore sezionatore deve essere di tipo approvato e deve fornire una separazione dei contatti in aria di 3 mm in tutti i poli (o in tutti i conduttori attivi [fase] se le normative locali sugli impianti elettrici permettono questa variazione rispetto alle specifiche).
- L'interruttore sezionatore sarà facilmente accessibile al cliente dopo l'installazione del piano cottura.
- In caso di dubbi relativi all'installazione, rivolgersi agli enti locali competenti e attenersi alle norme vigenti.

INSTALLAZIONE DEL PIANO COTTURA

- Per le superfici delle pareti adiacenti al piano cottura scegliere finiture resistenti al calore e facili da pulire (ad es. piastrelle di ceramica).

DOPO L'INSTALLAZIONE DEL PIANO COTTURA, ASSICURARSI CHE

- Il cavo di alimentazione non sia accessibile tramite sportelli o cassetti dei mobiletti.
- Deve esserci un flusso adeguato di aria fresca dall'esterno dei mobiletti verso la base del piano cottura.
- Se il piano cottura è installato sopra una cassettera o a dei mobiletti, sotto la base del piano cottura deve essere installata una barriera di protezione termica.
- L'interruttore sezionatore è facilmente accessibile dal cliente.

PROCEDURA DI INSTALLAZIONE

- 1) Praticare un foro nel top cucina secondo le dimensioni indicate con un'attrezzatura adeguata. Sigillare il bordo tagliato del top cucina con silicone o PTFE e lasciare asciugare prima di montare il piano cottura.

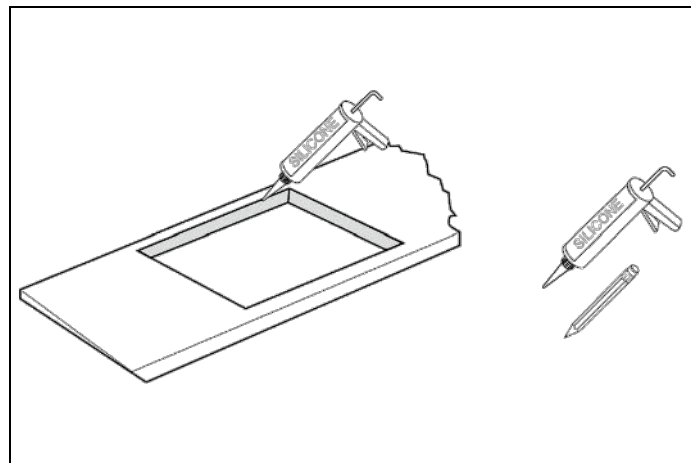


Fig. 4

- 2) Stendere la guarnizione autoadesiva fornita lungo il bordo inferiore del piano cottura, facendo in modo di sovrapporne le estremità.

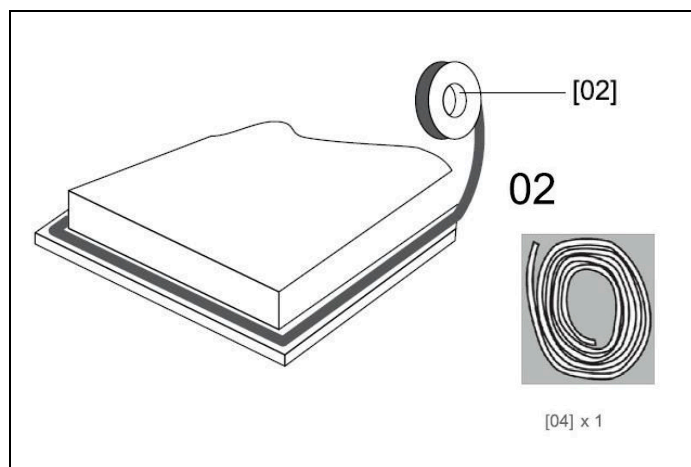


Fig. 5

INSTALLAZIONE DEL PIANO COTTURA

- 3) Non utilizzare adesivi per fissare il piano cottura nel top cucina. Una volta applicata la guarnizione autoadesiva, posizionare il piano cottura nell'incavo del top cucina.

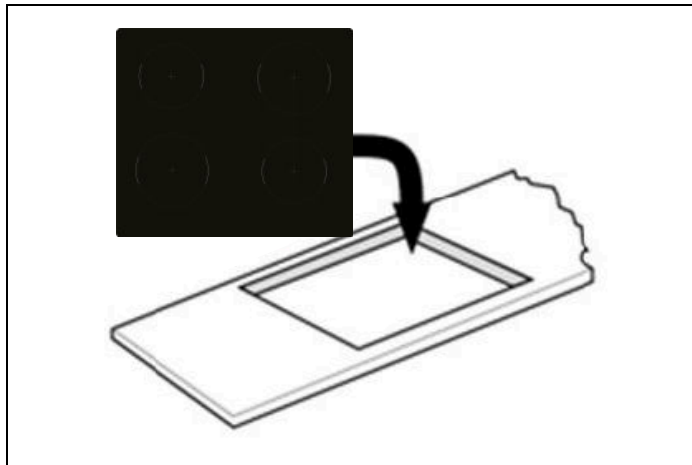


Fig. 6

- 4) Premere delicatamente il piano cottura verso il basso per spingerlo nel top cucina e assicurare una corretta tenuta lungo il bordo esterno.

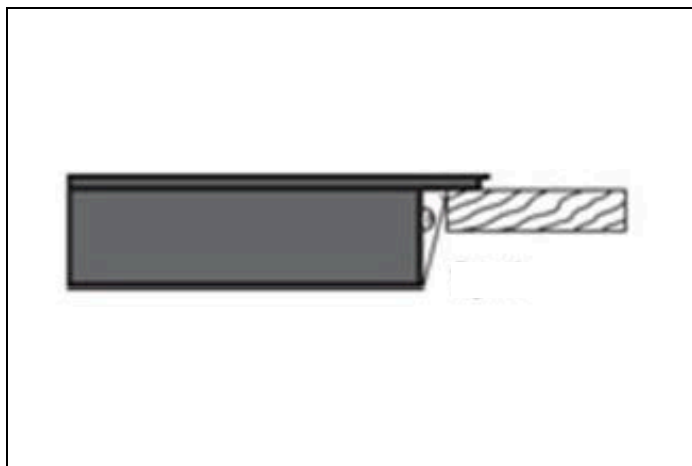
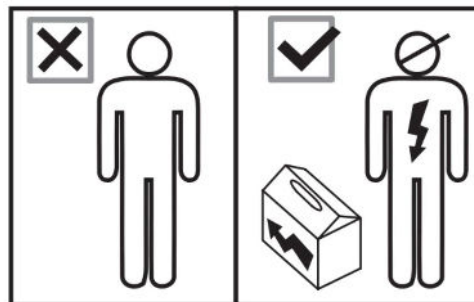


Fig. 7

ATTENZIONE

- 1) Il piano cottura di ceramica deve essere installato da personale o tecnici qualificati. Il produttore può mettere a disposizione tecnici professionisti. In nessun caso eseguire l'operazione da soli.
- 2) Il piano cottura non può essere installato direttamente sopra la lavastoviglie, il frigorifero, il congelatore, la lavatrice o l'asciugatrice, poiché l'umidità potrebbe danneggiare l'elettronica del piano cottura.
- 3) Il piano cottura in ceramica deve essere installato in modo da garantire un migliore irraggiamento del calore per aumentarne l'affidabilità.
- 4) La parete e la zona scaldante a induzione sopra il top cucina devono essere resistenti al calore.
- 5) Per evitare danni, lo strato a sandwich e l'adesivo devono essere resistenti al calore.

COLLEGAMENTO DEL PIANO COTTURA ALLA RETE ELETTRICA



Tutti i lavori di installazione devono essere eseguiti da una persona competente o da un elettricista qualificato. Prima di collegare la rete elettrica, accertarsi che la tensione di rete corrisponda a quella indicata sulla targhetta all'interno della cappa per piano cottura.



AVVERTENZA

QUESTO ELETTRODOMESTICO DEVE ESSERE COLLEGATO A TERRA.



ATTENZIONE

Questo piano cottura deve essere collegato alla rete elettrica solo da una persona adeguatamente qualificata.

Controlli da effettuare prima del collegamento del piano cottura alla rete elettrica:

- 1) L'impianto elettrico dell'abitazione deve essere adeguato alla potenza consumata dal piano cottura.
- 2) La tensione deve corrispondere a quella specificata sulla targhetta dei dati tecnici
- 3) Le sezioni dei cavi di alimentazione devono resistere al carico specificato sulla targhetta dei dati tecnici.



ATTENZIONE

Per collegare il piano cottura alla rete elettrica, non adoperare adattatori, riduttori o dispositivi di derivazione, in quanto possono causare surriscaldamenti e incendi.



ATTENZIONE

Il cavo di alimentazione non deve entrare a contatto con componenti surriscaldati e deve essere collocato in modo che la sua temperatura non superi mai, in nessun punto, i 180 °C.

Questo apparecchio viene fornito con un cavo di rete a 3 conduttori colorato come illustrato in Fig. 8

INSTALLAZIONE DEL PIANO COTTURA

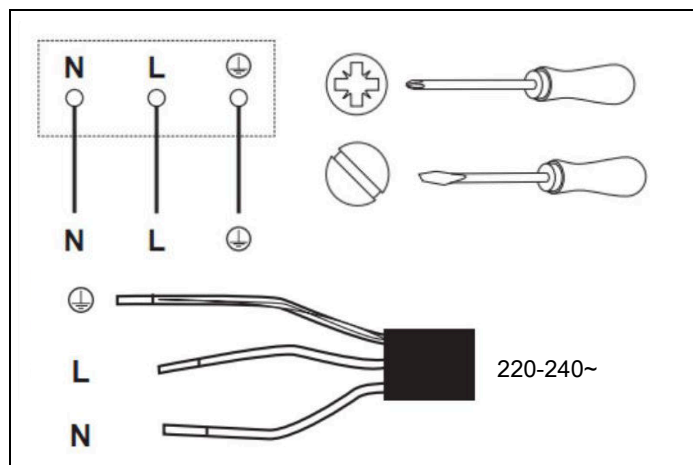



Fig. 8

- **L – Marrone:** sotto tensione
- **N – Blu:** neutro
-  – **Verde e giallo:** terra

QUESTO ELETTRODOMESTICO RICHIEDE UN MINI INTERRUTTORE AUTOMATICO DA 32 A.

- Se il cavo è danneggiato o deve essere sostituito, questa operazione deve essere effettuata da un tecnico dell'assistenza con appositi utensili, in modo da evitare qualsiasi incidente.
- Se l'elettrodomestico è collegato direttamente alla rete è necessario installare un interruttore automatico multipolare con un'apertura minima di 3 mm tra i contatti.
- L'installatore deve accertarsi che il collegamento elettrico sia corretto e che sia conforme alle normative di sicurezza.
- Il cavo non deve essere piegato o schiacciato.
- Il cavo deve essere controllato con regolarità e sostituito esclusivamente da tecnici autorizzati.

AVVERTENZE IMPORTANTI PER L'UTENTE



AVVERTENZA

Non collocare oggetti metallici, ad es. coltelli, forchette, cucchiari e coperchi sulla superficie del piano cottura perché potrebbero surriscaldarsi.



AVVERTENZA

Dopo l'uso, spegnere l'elemento del piano cottura tramite i relativi comandi e non fare affidamento sulla funzione di rilevazione pentola.



AVVERTENZA

Le parti accessibili possono surriscaldarsi durante l'uso. Tenere i bambini lontani dall'elettrodomestico.



AVVERTENZA

I processi di cottura devono essere monitorati. Un processo di cottura breve deve essere costantemente sorvegliato.



AVVERTENZA

L'apparecchio si surriscalda durante l'uso. Evitare di toccare gli elementi riscaldanti all'interno del forno.



AVVERTENZA

L'elettrodomestico non è concepito per funzionare con timer esterni o con altri sistemi di comando a distanza.



ATTENZIONE

Non utilizzare prodotti detergenti abrasivi o raschietti metallici affilati per pulire il vetro della porta del forno, poiché potrebbero graffiarne la superficie e il vetro potrebbe rompersi.

PIANO COTTURA A INDUZIONE

DISPOSIZIONE DEL PIANO COTTURA

POTENZA DELLA ZONA SCALDANTE

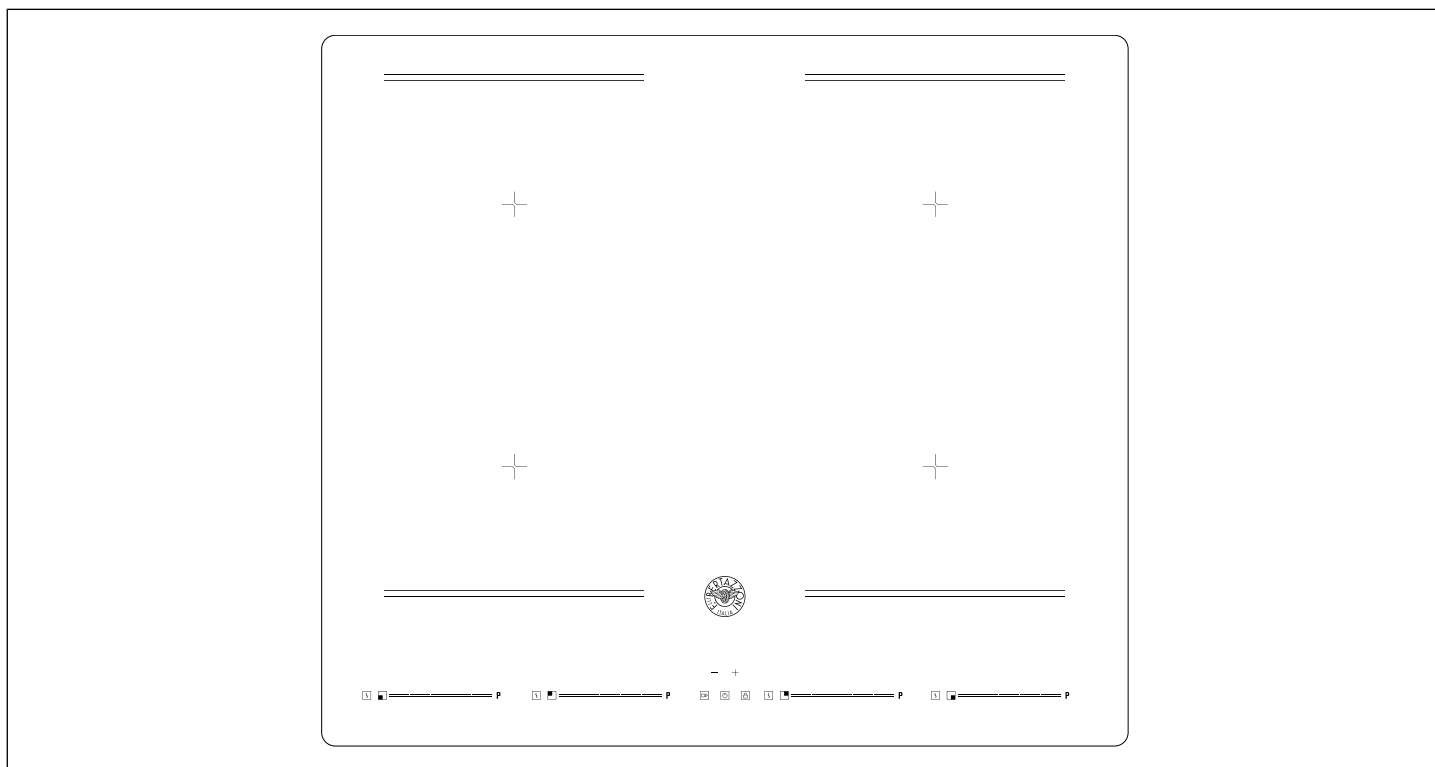



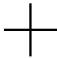

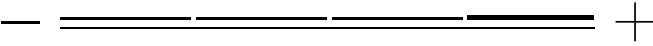





Fig. 9

ZONE DI COTTURA	FUNZIONAMENTO ELETTRICO NORMALE (W)	CON FUNZIONE BOOST (W)	CON FUNZIONE DOPPIO BOOST (W)	CON FUNZIONE BRIDGE (W)
 Anteriore sinistra	2000	2600	2800	3000/3400/3600
 Posteriore sinistra	1500	1800	2000	
 Posteriore destra	1500	1800	2000	3000/3400/3600
 Anteriore destra	2000	2600	2800	
ZONA SCALDANTE	LIVELLI DI LIMITAZIONE POTENZA		TOTALE POTENZA NOMINALE	
Max. potenza (220-240V~ 50/60Hz)	2800/4500/6000/7200W		7400W	

PIANO COTTURA A INDUZIONE

PANNELLO COMANDI

	RIFERIMENTO	DESCRIZIONE
A		Tasto selezione della zona da scaldare
B		Tasto di accensione/spegnimento
C		Tasto di regolazione del timer (riduzione)
D		Tasto di regolazione del timer (aumento)
E		Tasto della funzione Boost
F		Cursore di regolazione della potenza touch
G		Blocco bambini
H		Cooking function
I		Pause function

PIANO COTTURA A INDUZIONE

UTILIZZO DEI COMANDI TOUCH

- I comandi rispondono al tocco, per cui non occorre applicare pressione.
- Utilizzare il polpastrello del dito e non la punta.
- Ogni tocco rilevato produce un segnale acustico.
- Assicurarsi che i comandi siano sempre puliti, asciutti e che non siano coperti da alcun oggetto (ad esempio un utensile o un panno). Anche un sottile strato d'acqua può rendere difficile l'utilizzo dei comandi.

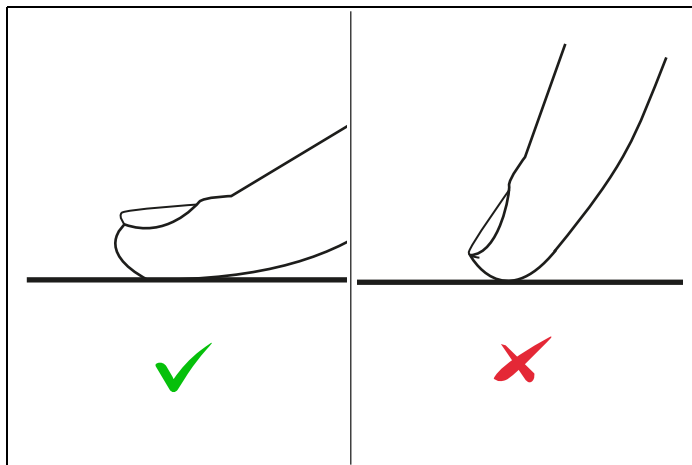


Fig. 10

SCELTA DEI RECIPIENTI DI COTTURA PIÙ APPROPRIATI

Non utilizzare recipienti di cottura con fondo ruvido o base curva.

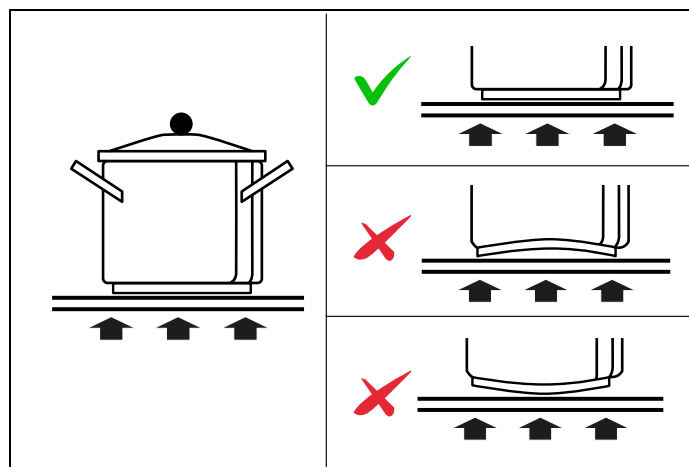


Fig. 11

Accertarsi che la base della pentola sia liscia, si appoggi uniformemente sul vetro e abbia le stesse dimensioni della zona di cottura.

Utilizzare pentole di diametro adeguato, come illustrato nella figura della zona selezionata. Utilizzando una pentola un po' più larga l'energia sarà utilizzata al massimo dell'efficienza. Se si utilizza una pentola più piccola, l'efficienza potrebbe essere inferiore a quella prevista. Centrare sempre la pentola sulla zona di cottura.

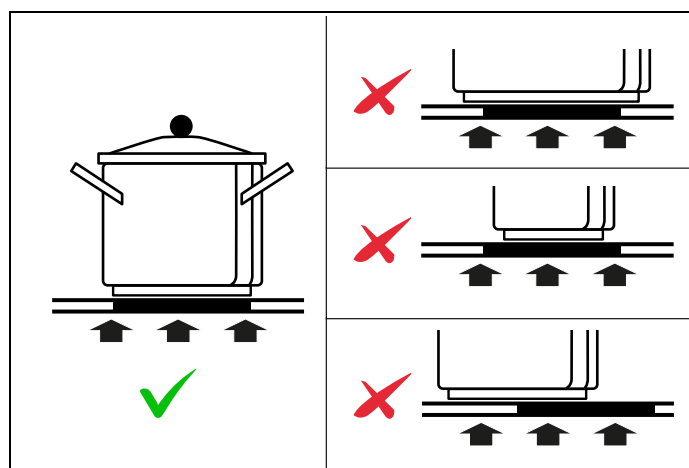


Fig. 12

Togliere sempre le pentole dal piano cottura sollevandole, non farle strisciare, in quanto si rischia di graffiare il vetro.

PIANO COTTURA A INDUZIONE

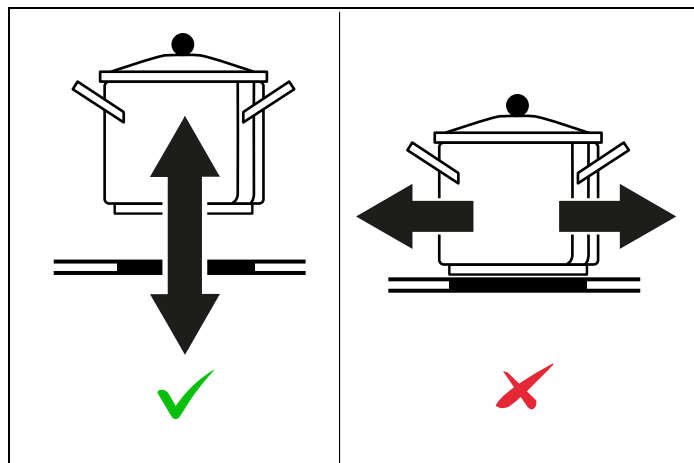


Fig. 13


Il fondo della pentola deve essere in ferro o acciaio/ferro per generare il campo magnetico necessario al processo di riscaldamento.

NOTA



Le pentole realizzate con i seguenti materiali non sono adatte:

- vetro
- porcellana
- ceramica
- acciaio, alluminio o rame senza fondo magnetico.

Per verificare l'idoneità di una pentola, è sufficiente versarvi un po' d'acqua, posizionarla su una zona di cottura e accendere la zona. Se  sul display appare la scritta "power", la pentola non è adatta.

Assicurarsi che il materiale della pentola sia adatto all'induzione. Per verificare il materiale, posizionare una calamita sul fondo della pentola: se si attacca, la pentola è adatta all'induzione.

USO DEL PIANO COTTURA A INDUZIONE

PER INIZIARE LA COTTURA

- 1) Collocare una pentola idonea sulla zona di cottura da utilizzare. Accertarsi che il fondo della pentola e la superficie della zona di cottura siano puliti e asciutti.

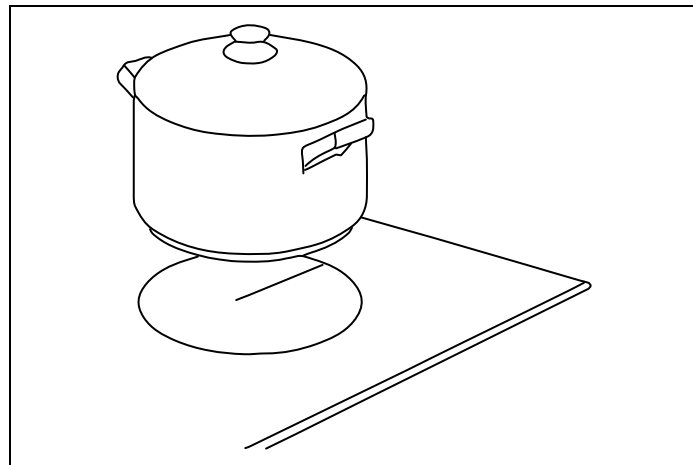


Fig. 14

- 2) Toccare il comando di accensione/spegnimento.

Dopo l'accensione, viene emesso un segnale acustico e tutti i display visualizzano " 8 ", a indicare che il piano cottura è entrato in modalità standby.

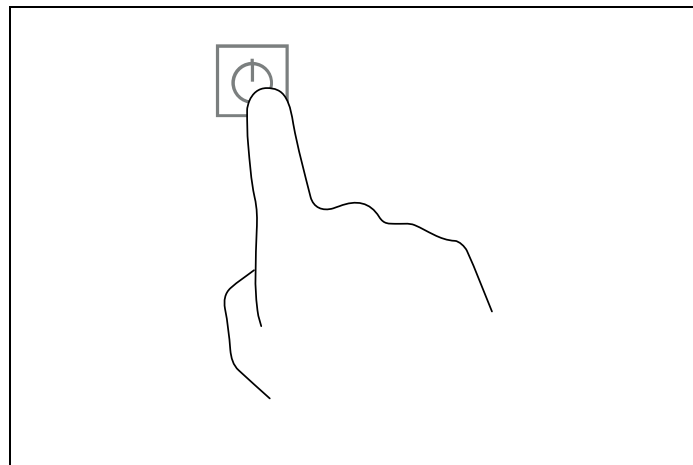


Fig. 15

PIANO COTTURA A INDUZIONE

- 3) In base alla zona scaldante in cui è collocata la pentola, regolare l'impostazione del calore toccando il cursore del tasto di regolazione.

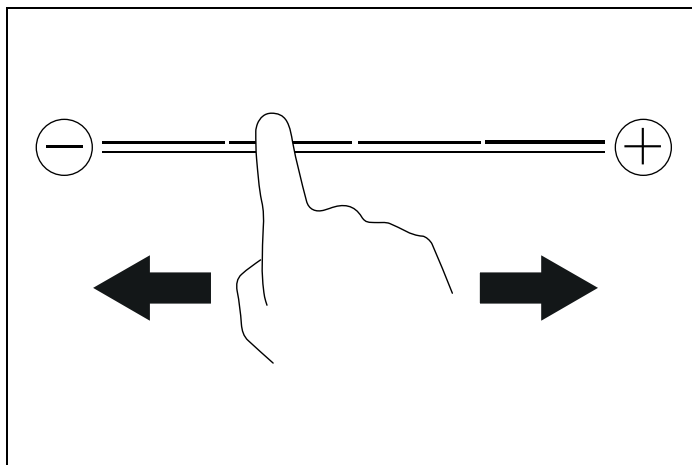


Fig. 16

- Se non si imposta la potenza entro 20 secondi, il piano cottura a induzione si spegne automaticamente. Occorre ricominciare dal punto 2.
- È possibile modificare l'impostazione della temperatura in qualunque momento durante la cottura.

UTILIZZO DELLA FUNZIONE DI BLOCCO BAMBINI

- I comandi possono essere bloccati per impedire utilizzi indesiderati (ad es. i bambini potrebbero accendere accidentalmente le zone di cottura).
- Quando i comandi sono bloccati, sono tutti disabilitati tranne quello di spegnimento.

PER BLOCCARE I COMANDI

Toccare il tasto di blocco bambini per 3 secondi. L'indicatore sopra il tasto di blocco bambini si accende e l'indicatore del timer riporta "Lo" (basso).

PER SBLOCCARE I COMANDI


- 1) Accertarsi che il piano cottura sia acceso.
- 2) Tenere premuto per qualche istante il comando di blocco dei tasti.
- 3) A questo punto, è possibile cominciare a utilizzare il piano cottura a induzione.

NOTA




Quando il piano cottura è in modalità blocco, tutti i comandi sono disattivati tranne lo spegnimento (OFF); in caso di emergenza è sempre possibile spegnere il piano cottura con il comando OFF, ma è necessario sbloccare prima il piano cottura nell'operazione successiva.

UTILIZZO DEL TIMER

- Si può impostare per spegnere una zona di cottura al termine del tempo impostato.
 - È possibile impostare il timer fino a 99 minuti.
- 1) Selezionare la zona di cottura in funzione toccando il tasto di selezione della zona.
 - 2) Premere i pulsanti "+" o "-". Gli indicatori del timer visualizzeranno 01 (se si preme +) o 00 (se si preme -)
 - 3) Utilizzando i pulsanti "+" o "-", è possibile realizzare l'impostazione della temporizzazione da 1 a 99 minuti.
 - 4) Una volta impostato il tempo, il conto alla rovescia inizia immediatamente. L'indicatore tornerà a mostrare il livello di potenza dopo 10 secondi. L'indicatore di potenza rimane sempre attivo e l'icona  è visualizzata.
 - 5) Se è necessario verificare il tempo rimanente, è possibile eseguire nuovamente i punti 1 e 2.
 - 6) Quando il tempo impostato sul timer di cottura finisce, la corrispondente zona di cottura si spegne automaticamente. Le altre zone di cottura rimangono in funzione se sono state accese in precedenza.

UTILIZZO DELLA FUNZIONE FLEX-ZONE

Per attivare la funzione Flex-zone:

- 1) Premere su un punto qualsiasi dei lati destro e sinistro della barra di scorrimento. Ad esempio, premere il livello 1 sul lato sinistro e il livello 8 sul lato destro. Verrà visualizzata l'icona  per indicare che la funzione è stata attivata.
- 2) Dopo la comparsa dell'icona della Flex-zone, il display passerà automaticamente al livello 5. Una volta visualizzato il livello 5, è possibile regolare il livello desiderato semplicemente toccando la barra di scorrimento.
- 3) Per uscire dalla modalità Flex-zone, premere contemporaneamente le barre di scorrimento delle zone sinistra e destra e le zone saranno reimpostate sullo zero.



UTILIZZARE LA ZONA BOOST E DOPPIO BOOST

- È possibile usare la funzione Boost/Doppio boost premendo il tasto boost
- Toccare una volta il tasto boost, il display visualizzerà **p**, ad indicare che il piano cottura è passato nella modalità boost. Dopo essere passati nella modalità boost, toccare di nuovo il tasto boost, il display visualizzerà **b**, ad indicare che il piano cottura è passato nella modalità doppio boost.


PIANO COTTURA A INDUZIONE




USO DELLA FUNZIONE PAUSA & RICHIAMO

La funzione Pausa può essere utilizzata in qualsiasi momento durante la cottura. Permette di arrestare il piano cottura e ripristinare la cottura senza perdere le regolazioni.

- 1) Assicurarsi che la zona di cottura sia in funzione.
- 2) Premere il  tasto. Gli indicatori della zona di cottura visualizzeranno . Il piano cottura sarà disattivato ad eccezione per Pausa e Richiamo, Accensione/Spegnimento e Blocco bambini. .
- 3) Per annullare la pausa, premere di nuovo il tasto Pausa e Richiamo; gli indicatori inizieranno a lampeggiare, quindi entro 10 secondi premere un qualsiasi tasto (che non sia il tasto pausa e richiamo) per riattivare le zone in funzione.

USO DELLA FUNZIONE COTTURA

Toccare il tasto di selezione della zona di cottura desiderato, poi toccare . L'indicatore della zona di cottura visualizzerà una delle icone in basso per ogni funzione di cottura:

-  Fusione delicata o scongelamento (circa 50°C)
-  Riscaldamento o mantenimento in caldo (circa 70°C)
-  Sobbollimento, temperatura prossima all'ebollizione, utile per la cottura a fuoco lento

FUNZIONI SPECIALI

PROTEZIONE DAL SURRISCALDAMENTO

Un sensore monitora la temperatura nelle zone di cottura. Quando la temperatura supera un livello di sicurezza, la zona di cottura si spegne automaticamente.

INDICATORE DI CALORE RESIDUO

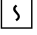


Quando il piano cottura è in funzione da un po' di tempo, si verifica un certo calore residuo. La lettera H segnala che è troppo caldo per toccare la superficie.

RILEVAMENTO AUTOMATICO DELLE PENTOLE

Appoggiando la pentola sulla zona di cottura desiderata, automaticamente si illuminerà l'indicatore di potenza specifico.

LIMITAZIONE DI POTENZA:

La limitazione di potenza serve per adeguare il consumo dell'apparecchio alla potenza elettrica disponibile nell'abitazione. Per attivare la funzione, procedere come segue:

- 1) Premere  per 3 secondi. Il display mostrerà -.
- 2) Premere contemporaneamente il tasto  della zona posteriore sinistra e . Il display mostrerà 
- 3) Premere . Il display mostrerà 
- 4) Premere contemporaneamente il tasto  della zona posteriore sinistra e . Il display mostrerà i valori di impostazione della potenza 28/45/60/72".
- 5) Premere i tasti "-" o "+", per cambiare e reimpostare la potenza desiderata 9000 W / 3500 W / 2800 W.
- 6) Premere  per salvare la potenza impostata e uscire da questa funzione.

PIANO COTTURA A INDUZIONE

PROTEZIONE TRAMITE AUTOSPEGNIMENTO

L'autospegnimento è una funzione di protezione per il piano cottura a induzione. Questa funzione si attiva automaticamente ogni volta che si dimentica acceso il piano cottura. I tempi di funzionamento predefiniti per i vari livelli di intensità di potenza sono indicati nella tabella seguente:

LIVELLO DI POTENZA	TIMER DI FUNZIONAMENTO PREDEFINITO (MIN)
1-3	360
4-6	180
7-8	120
9	90



NOTA

Protezione contro il funzionamento involontario.

Se il comando elettronico rileva che un pulsante viene tenuto premuto per circa 10 secondi, si spegne automaticamente. Il comando invia un segnale acustico di errore per avvisare che i sensori hanno rilevato la presenza di un oggetto. Il display visualizza il codice di errore **ER03**. Se il piano cottura è ancora acceso, il display **H** e **0** lampeggiano alternativamente.

CURA E MANUTENZIONE



AVVERTENZA

Disattivare sempre l'alimentazione elettrica prima di eseguire interventi di manutenzione. In caso di guasti, contattare l'assistenza clienti.



AVVERTENZA

Prima di procedere alla pulizia, scollegare sempre l'elettrodomestico dalla rete elettrica.



AVVERTENZA

Non utilizzare pulitrici a vapore durante la pulizia.



I cavi elettrici danneggiati devono essere sostituiti da una persona competente o da un elettricista qualificato.



Solo per uso domestico.



Non collocare mai una pentola vuota sul piano cottura per non causare la comparsa di un messaggio di errore sul pannello di controllo.



Quando una zona di cottura è rimasta accesa a lungo, la superficie rimane calda per qualche tempo, quindi non toccare la superficie in ceramica.



Per gli alimenti sigillati, si prega di non riscaldarli prima di aprirli rimuovendo il coperchio, in modo da evitare qualsiasi pericolo di esplosione dovuto all'espansione del calore.



Se la superficie del piano cottura a induzione è incrinata, scollegare l'alimentazione elettrica per evitare ogni eventualità di scosse elettriche.



Non appoggiare sul piano cottura pentole ruvide o irregolari, perché potrebbero danneggiare la superficie in ceramica.



Evitare di sbattere pentole e padelle sul piano cottura. La superficie in ceramica è resistente ma non infrangibile.



Non mettere detersivi o materiali infiammabili sotto il piano cottura.

PIANO COTTURA A INDUZIONE

Prima di iniziare la pulizia, lasciare raffreddare il piano cottura finché la spia del calore non si spegne.

Non utilizzare paste o polveri abrasive o spugne metalliche. Tutti i residui di acqua, cibo e detersivi devono essere rimossi prima del riutilizzo.

Rimuovere lo sporco leggero con un panno morbido imbevuto di acqua e detersivo, quindi lucidare con un panno in microfibra.

Per le macchie più ostinate, utilizzare un prodotto specifico, seguendo le istruzioni d'uso del produttore.

In caso di versamento di materiali molto zuccherini (come marmellata) o di fusione accidentale di plastica o metalli sulla superficie, spegnere il piano cottura e rimuovere immediatamente lo sporco, facendo molta attenzione perché il piano cottura e lo sporco sono molto caldi.

VETRO

Pulire con un panno morbido bagnato con acqua calda e detersivo liquido. Asciugare con un panno in microfibra.

Lo sporco ostinato può essere rimosso con un detersivo in crema. Non utilizzare oggetti appuntiti perché potrebbero graffiare il vetro.

CURA E MANUTENZIONE

PULIZIA DELL'ELETTRODOMESTICO



ATTENZIONE

Evitare di sfregare con qualsiasi abrasivo o con il fondo delle pentole, ecc. per evitare di consumare con il tempo le marcature sulla parte superiore del piano cottura a induzione.



ATTENZIONE

Pulire regolarmente il piano cottura a induzione per evitare l'accumulo di residui di cibo.

- L'apparecchio deve essere pulito dopo l'uso.
- La superficie del piano cottura a induzione può essere facilmente pulita come indicato nella tabella di seguito.

Con un raschietto, rimuovere immediatamente dalla superficie eventuali pezzi di carta d'alluminio, fuoriuscite di cibo, schizzi di grasso, macchie di zucchero e altri alimenti ad alto contenuto di zucchero, per evitare di danneggiare il piano cottura. Successivamente, pulire la superficie con un panno e un prodotto appropriato, risciacquare con acqua e asciugare con un panno pulito. Non utilizzare in nessun caso spugne o panni abrasivi; evitare anche l'uso di detersivi chimici aggressivi come spray per forni e smacchiatori.

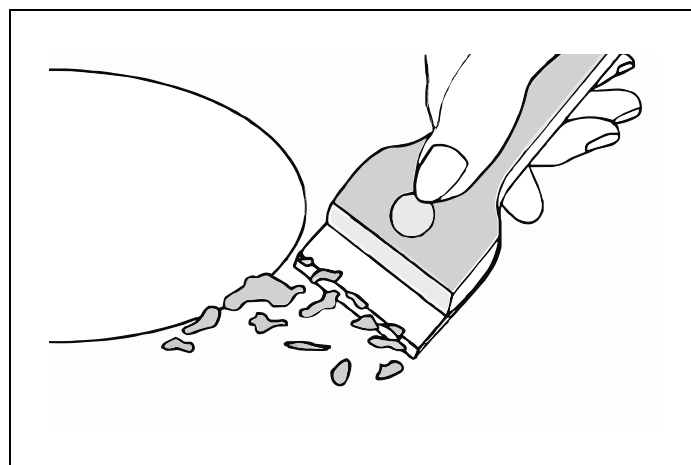


Fig. 17

TIPO DI SPORCO	METODO DI PULIZIA	MATERIALI PER LA PULIZIA
Calcare	Applicare aceto bianco sulla superficie, quindi asciugare con un panno morbido	Detergente speciale per ceramica
Macchie bruciate	Pulire con un panno umido e asciugare con un panno morbido	Detergente speciale per ceramica
Macchie leggere	Pulire con un panno umido e asciugare con un panno morbido	Spugna per la pulizia
Plastica fusa	Per rimuovere i residui, utilizzare un raschietto adatto al vetro ceramico	Detergente speciale per ceramica

RISOLUZIONE DEI PROBLEMI

Prima di chiamare l'assistenza clienti, verificare che l'apparecchio sia collegato correttamente; i seguenti casi non sono coperti dalla garanzia

- Danni causati da uso, conservazione o manutenzione inadeguati.
- Danni causati da smontaggio e riparazione non autorizzati.
- Danni causati da un uso improprio.
- Utilizzo del piano cottura a induzione per scopi commerciali.

Se si verifica un'anomalia, il piano cottura a induzione entra automaticamente nello stato di protezione e visualizza i codici di protezione corrispondenti indicati nella tabella seguente.



ATTENZIONE

Non smontare da soli l'elettrodomestico per evitare rischi e danni al piano cottura a induzione. Se è richiesta un'ulteriore assistenza, contattare il fornitore.

CODICE ERRORE	POSSIBILI CAUSE	RIMEDI
	Nessuna pentola o pentola non adatta	Sostituire la pentola
ER03	Una pentola o un liquido copre i tasti dei comandi	Pulire il pannello comandi
F1E	Il collegamento tra la scheda del display e la scheda madre sinistra è difettoso (la zona di cottura con la spia che segnala E)	1) Cavo di collegamento non inserito correttamente o difettoso; 2) Sostituire la scheda madre.
F3E	Guasto del sensore della temperatura della bobina. (nella zona di cottura per la quale l'indicatore visualizza E)	Sostituire il sensore della bobina
F4E	Guasto del sensore della temperatura della scheda madre. (nella zona di cottura per la quale l'indicatore visualizza "E")	Sostituire la scheda madre
E1E	Temperatura elevata del sensore di temperatura della piastra in vetroceramica	Riavviare dopo che il piano cottura a induzione si è raffreddato.
E2 E	Temperatura alta del sensore di temperatura IGBT	Riavviare dopo che il piano cottura a induzione si è raffreddato.
E3 E	Tensione di alimentazione anomala (troppo alta)	Controllare se l'alimentazione elettrica è normale. Se è normale, accendere il piano cottura a induzione.
E4 E	Tensione di alimentazione anomala (troppo bassa)	Controllare se l'alimentazione elettrica è normale. Se è normale, accendere il piano cottura a induzione.
E5 E	Guasto del sensore della temperatura (nella zona di cottura per la quale l'indicatore visualizza E)	Cavo di collegamento non inserito correttamente o difettoso;

GARANZIA

DICHIARAZIONE DI GARANZIA CONVENZIONALE



DICHIARAZIONE DI GARANZIA CONVENZIONALE

Di seguito si riportano le condizioni di garanzia convenzionale (la «Garanzia Convenzionale») riconosciuta al Consumatore da Bertazzoni S. p.a., con sede legale a Guastalla (RE), Via Palazzina n. 6/8 (il «Produttore»), nel rispetto del D.Lgs. 6 settembre 2005 n. 206, come modificato dal D.Lgs. 4 novembre 2021 n. 170.

ART. 1 - OGGETTO DELLA GARANZIA

La Garanzia Convenzionale opera per i difetti di conformità del bene oggetto di cessione, identificato nel documento fiscale a cui la presente dichiarazione viene allegata (il «Bene»), **esistenti al momento della consegna del Bene e imputabili ad azioni od omissioni del Produttore.**

Ai fini dell'applicazione della Garanzia Convenzionale, si presume che i difetti di conformità manifestatisi entro un anno dalla consegna del Bene esistessero già a tale data, salvo prova contraria o incompatibilità di essi con la natura del Bene e/o con la natura del difetto di conformità. Per i successivi 12 (dodici) mesi di vigenza della Garanzia Convenzionale è onere del Consumatore provare l'esistenza del difetto di conformità del Bene al momento della consegna.

In caso di difetto di conformità, il Consumatore ha diritto di richiedere, gratuitamente, il ripristino della conformità del Bene mediante riparazione o sostituzione, purché il rimedio prescelto non sia impossibile o, rispetto al rimedio alternativo, non imponga al Produttore costi sproporzionati. In alternativa, il Consumatore può richiedere la riduzione proporzionale del prezzo o la risoluzione del contratto.

ART. 2 - DURATA E CONDIZIONI DI VALIDITÀ

La durata della Garanzia Convenzionale è di 24 (ventiquattro) mesi a decorrere dalla data di consegna del Bene.

Gli eventuali interventi di riparazione o sostituzione del Bene e/o di suoi componenti accessori non estendono la durata originaria della Garanzia Convenzionale.

Ai fini della sua validità, il presente certificato deve essere conservato unitamente al documento fiscale (ad es.: documento di trasporto, fattura, scontrino fiscale) riportante i dati del venditore, la data di consegna e gli estremi identificativi del Bene ed il prezzo di cessione. In caso di intervento, entrambi i documenti (Garanzia Convenzionale e documento fiscale) devono essere mostrati al personale tecnico.

La Garanzia Convenzionale opera a condizione che:

- il Bene sia utilizzato per scopi domestici;
- il Bene sia utilizzato all'interno del territorio nazionale;
- tutte le operazioni di installazione e collegamento del Bene alle reti di distribuzione dell'energia elettrica e del gas siano effettuate seguendo scrupolosamente le indicazioni riportate nel relativo libretto d'uso, manutenzione e installazione (il «Libretto»), fornito unitamente al Bene stesso;
- tutte le operazioni di utilizzo del Bene, così come la sua manutenzione periodica, avvengano secondo le istruzioni, prescrizioni e indicazioni riportate nel Libretto;
- qualunque intervento di riparazione del Bene sia eseguito da personale dei centri di assistenza autorizzati dal Produttore (il «**Personale Autorizzato**») e con ricambi esclusivamente originali.

Per conoscere il centro assistenza di zona, il Consumatore potrà contattare il numero verde **800 927 987**.

GARANZIA

ART. 3 - CLAUSOLE DI ESCLUSIONE

La Garanzia Convenzionale non opera:

- se il Bene venga utilizzato nell'ambito di attività imprenditoriali o professionali (quali, a titolo esemplificativo, ristoranti, pizzerie, bar, lavanderie, hotel, b&b, uffici, comunità, scuole, etc.);
- se il Bene venga utilizzato al di fuori del territorio nazionale;
- qualora il Personale Autorizzato accerti che la difformità del Bene non dipenda da un suo difetto di conformità, ma da un fattore esterno, come, a titolo meramente esemplificativo, la portata insufficiente degli impianti elettrici e gas, l'errata installazione e/o lo scorretto allacciamento agli impianti di alimentazione o le incomplete regolazioni previste dal Libretto;
- qualora il Personale Autorizzato accerti che la difformità del Bene dipenda da negligenza e/o incapacità d'uso e/o cattiva manutenzione da parte del Consumatore, il quale non si sia attenuto scrupolosamente alle istruzioni e raccomandazioni riportate nel Libretto;
- in caso di danni al Bene causati da eventi atmosferici e naturali (fulmini, inondazioni, incendi, terremoti, etc.), atti di vandalismo o, comunque, circostanze non riconducibili ad un difetto di conformità.

La Garanzia Convenzionale non copre:

- eventuali interventi volti a ripristinare danni al Bene causati da incuria, rottura accidentale, manomissione e/o danneggiamento durante il trasporto, se effettuato dal Consumatore o dal venditore;
- eventuali interventi eseguiti da personale non autorizzato;
- eventuali interventi per dimostrazioni di funzionamento, controlli e manutenzioni periodiche;
- eventuali difetti del Bene di cui il Consumatore è stato messo a conoscenza all'atto della vendita e/o che quest'ultimo non poteva ragionevolmente ignorare.

In tutti questi casi, i costi del relativo intervento e delle eventuali parti di ricambio restano a carico del Consumatore.

La Garanzia Convenzionale non copre inoltre, salvo che si tratti di difetti di conformità, gli interventi di riparazione e/o sostituzione di parti mobili ed asportabili, manopole, maniglie, lampade, parti in vetro e smaltate, parti in gomma, eventuali accessori, materiali di consumo e comunque tutti i componenti del Bene sui quali il Consumatore può intervenire durante l'utilizzo o per effettuare la manutenzione del Bene.

ART. 4 - LIMITAZIONI DELLA RESPONSABILITÀ DEL PRODUTTORE

Bertazzoni S.p.a. declina ogni responsabilità per eventuali danni che possano derivare, in modo diretto o indiretto, a persone, cose ed animali per la mancata osservanza delle prescrizioni, indicazioni, raccomandazioni e istruzioni riportate nel Libretto.

ART. 5 - PROCEDURA PER ATTIVARE LA GARANZIA CONVENZIONALE

Ove riscontri un mal funzionamento del Bene durante il periodo di validità della Garanzia Convenzionale, il Consumatore dovrà contattare il servizio assistenza al numero verde unico in tutta Italia **800 927 987**, fornendo il documento fiscale attestante la data di consegna e gli estremi identificativi del Bene (ved. art. 2), nonché il numero di matricola/seriale presente sul Libretto (targhetta adesiva di colore argento) oppure sulla targa adesiva posta direttamente sul Bene.

Il servizio assistenza lo porrà in contatto col centro di assistenza tecnica autorizzato a lui più vicino.

In ogni caso, qualora il Bene presenti anomalie o mal funzionamenti, prima di contattare il servizio assistenza, si consiglia di effettuare le verifiche ed i controlli indicati nel Libretto.

**LA PRESENTE GARANZIA
CONVENZIONALE NON PREGIUDICA I
DIRITTI ED I RIMEDI PER I DIFETTI DI
CONFORMITÀ CHE LA LEGGE RICONOSCE
AL CONSUMATORE NEI CONFRONTI DEL
VENDITORE.**

Bertazzoni S.p.A.

DU BUREAU DE NOTRE PRÉSIDENT

Cher nouveau propriétaire d'un appareil Bertazzoni,

Je tiens à vous remercier d'avoir choisi l'un de nos beaux produits pour votre maison.

Ma famille a commencé à fabriquer des appareils électroménagers en Italie en 1882, bâtissant une réputation de qualité d'ingénierie et de passion pour la bonne cuisine.

Aujourd'hui, nos produits se distinguent par leur mélange unique de design italien authentique et de technologie d'électroménager supérieure. Notre mission est de fabriquer des produits qui fonctionnent parfaitement et qui apportent de la joie à leurs propriétaires.

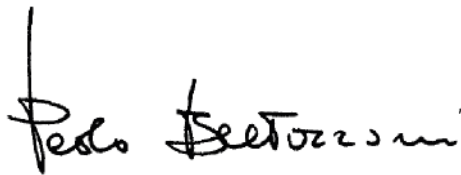
En fabriquant de beaux produits, nous répondons au goût de nos clients pour un joli design. En les rendant polyvalents et faciles à utiliser, cuisiner avec Bertazzoni devient un réel plaisir.

Ce manuel vous aidera à apprendre à utiliser et à entretenir votre appareil Bertazzoni de la manière la plus sûre et la plus efficace, afin qu'il puisse vous donner la plus grande satisfaction pour les années à venir.

Profitez !

Paolo Bertazzoni

Président

A handwritten signature in black ink, reading "Paolo Bertazzoni". The signature is written in a cursive, flowing style with a vertical line at the beginning.

VALIDITÉ DU MANUEL D'UTILISATION

Le manuel suivant concerne uniquement le code produit P604I2M28NVS.

SOMMAIRE

INFORMATIONS GÉNÉRALES	57
LECTURE DU MANUEL	57
INTRODUCTION ET SÉCURITÉ	57
IDENTIFICATION DE L'APPAREIL	58
INFORMATIONS GÉNÉRALES DE SÉCURITÉ	58
INSTALLATION	60
MANUEL TECHNIQUE POUR L'INSTALLATEUR	60
INFORMATIONS POUR L'INSTALLATEUR	60
INSTALLATION DU PRODUIT	60
INSTALLATION DE LA TABLE	61
SÉLECTION DU MATÉRIEL D'INSTALLATION	61
PROCÉDURE D'INSTALLATION	62
MISES EN GARDE	63
RACCORDEMENT DE LA TABLE AU RÉSEAU ÉLECTRIQUE	64
UTILISATION ET MAINTENANCE	65
UTILISATION	65
AVERTISSEMENTS IMPORTANTS POUR L'UTILISATEUR	65
PLAQUE DE CUISSON À INDUCTION	66
DISPOSITION DE LA TABLE DE CUISSON	66
UTILISATION DES COMMANDES TACTILES	68
SÉLECTION DE LA BONNE BATTERIE DE CUISINE	68
UTILISATION DE VOTRE PLAQUE À INDUCTION	69
FONCTIONS SPÉCIALES	71
PRÉCAUTIONS ET MAINTENANCE	73
PLAQUE DE CUISSON À INDUCTION	73
VERRE	73
NETTOYAGE DE L'APPAREIL	74
DÉPANNAGE	75
GARANTIE	76
GARANTIE ET ASSISTANCE	76

INFORMATIONS GÉNÉRALES

LECTURE DU MANUEL

Ces instructions s'appliquent à différents types d'appareils. Elles peuvent donc contenir des descriptions de fonctions qui ne sont pas disponibles sur votre appareil, ou que celui-ci ne supporte pas.

Les images et illustrations du présent document se réfèrent à différents modèles et peuvent différer légèrement du produit acheté.

Le fabricant décline toute responsabilité en cas de blessures corporelles ou de dommages matériels résultant d'une installation incorrecte ou d'une mauvaise utilisation de l'appareil.

Le fabricant se réserve le droit d'apporter les modifications requises aux différents modèles afin de se conformer à la réglementation technique en vigueur.

En cas de réclamation, veuillez contacter le service client.

INTRODUCTION ET SÉCURITÉ

Lisez attentivement les instructions fournies dans ce manuel avant d'installer et/ou d'utiliser l'appareil.

Cela vous aidera à connaître votre nouvel appareil.

Conservez ce document à portée de main afin de pouvoir le consulter à tout moment et le transmettre à d'éventuels propriétaires ultérieurs.

Lisez les messages de sécurité fournis dans l'introduction du présent manuel et tenez dûment compte des notes de sécurité, telles que : « Attention », « Avertissement » et « Danger » qui apparaissent dans le texte.



DANGER

Ce symbole indique une situation qui constitue un danger pour vous-même et autrui. Lisez-le attentivement et assurez-vous d'avoir parfaitement compris les causes d'accidents potentiellement dangereux ou mortels.



MISE EN GARDE

Ce symbole indique des informations de sécurité. Lisez-le attentivement et assurez-vous d'avoir parfaitement compris les causes d'accidents potentiellement dangereux.



ATTENTION !

Ce symbole indique une procédure qui pourrait compromettre la structure ou les composants de l'appareil. Faites particulièrement attention à ces procédures.



NOTE

Ce symbole indique des conseils utiles et attire votre attention sur les bonnes procédures et pratiques. Le respect des instructions marquées de ce symbole vous évitera des problèmes.

Le symbole met en évidence les méthodes ou procédures d'utilisation correcte de l'appareil.

INFORMATIONS GÉNÉRALES

IDENTIFICATION DE L'APPAREIL

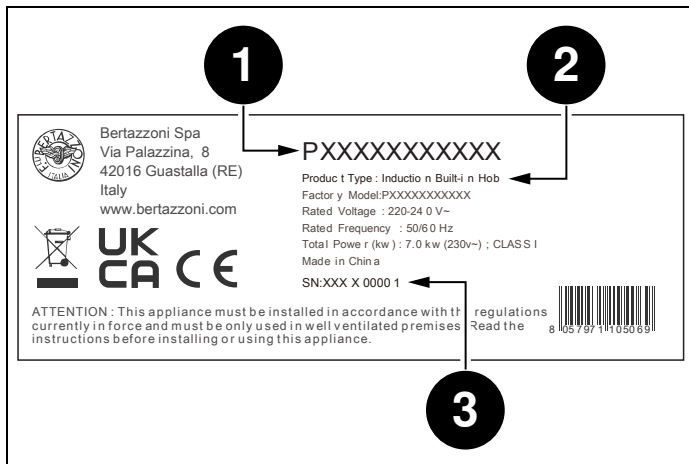


Fig. 1

La plaque signalétique contient les informations suivantes :

- 1) Code de vente
- 2) Modèle
- 3) Numéro de série

INFORMATIONS GÉNÉRALES DE SÉCURITÉ

Cet appareil est conforme à la directive européenne 2012/19/UE (DEEE)



Cet appareil est étiqueté conformément à la Directive européenne 2012/19/CE relative aux déchets d'équipements électriques et électroniques (DEEE).

Cette directive contient les réglementations régissant la collecte et le recyclage des appareils hors service dans toute l'Union européenne.



Le symbole d'une poubelle barrée d'une croix qui apparaît sur le produit indique que les Déchets d'Équipements Électriques et Électroniques (DEEE) ne doivent pas être jetés avec les déchets urbains ordinaires, mais doivent être éliminés séparément, afin de subir un traitement spécial pour permettre sa réutilisation ou un traitement spécifique pour l'enlèvement et l'élimination en toute sécurité de toute substance nocive pour l'environnement et l'extraction de matières premières recyclables.

Par conséquent, les DEEE doivent être livrés aux centres de recyclage gérés par la municipalité ou des sociétés de gestion des déchets. En outre, lors de l'achat d'un nouvel appareil, les DEEE peuvent être confiés au revendeur, qui est tenu de le reprendre gratuitement (reprise « 1:1 »). Les « très petits » DEEE (dont la dimension n'excède pas 25 cm) peuvent être remis gratuitement aux commerçants même en l'absence d'achat (reprise « 0:1 » - qui n'est toutefois obligatoire que pour les magasins de plus de 400 m²).



Points de collecte sur www.quefairedemesdechets.fr
Privilégiez la réparation ou le don de votre appareil !

INFORMATIONS GÉNÉRALES



DANGER

Cet appareil n'est pas destiné à être utilisé par des personnes, y compris des enfants, ayant des capacités mentales ou motrices réduites, ou qui n'ont pas d'expérience ou de connaissances sur le fonctionnement du produit. Ces personnes ne peuvent utiliser l'appareil que sous la surveillance d'une personne responsable de leur sécurité et avec des instructions appropriées sur l'utilisation de l'appareil.



DANGER

Si la surface de la plaque est fissurée, éteignez l'appareil pour éviter tout risque d'électrocution.



DANGER

Risque d'incendie : ne laissez pas d'objets inflammables sur les surfaces de cuisson.



DANGER

La cuisson automatique sur la table de cuisson avec de la graisse ou de l'huile peut être dangereuse et provoquer des incendies. Si un incendie se déclare, n'essayez pas de l'éteindre avec de l'eau. Éteignez l'appareil et couvrez les flammes avec un couvercle ou une couverture anti-feu.



DANGER

Cet appareil peut être utilisé par des enfants de plus de 8 ans, ainsi que par des personnes dont les capacités physiques, sensorielles ou mentales sont réduites, ou par des personnes inexpérimentées et sans connaissances nécessaires, à condition qu'elles restent sous surveillance ou qu'elles aient reçu des instructions concernant l'utilisation en toute sécurité de l'appareil et aient compris les risques encourus. Les enfants ne doivent pas jouer avec l'appareil. Le nettoyage et l'entretien par l'utilisateur ne doivent pas être effectués par des enfants sans surveillance.



MISE EN GARDE

L'appareil et les pièces accessibles deviennent très chauds pendant l'utilisation. Ne touchez pas les éléments chauffants. Les enfants de moins de 16 ans doivent être tenus à l'écart de l'appareil à moins d'être constamment surveillés.

Ne touchez pas les éléments chauffants de la plaque de cuisson et/ou l'intérieur du four.



MISE EN GARDE

Les pièces accessibles peuvent devenir chaudes pendant l'utilisation. Les enfants doivent être tenus à bonne distance.



MISE EN GARDE

Assurez-vous que l'appareil est débranché du réseau électrique avant de remplacer la lampe afin d'éviter d'éventuels chocs électriques.



MISE EN GARDE

N'utilisez pas de nettoyeurs à vapeur pour nettoyer l'appareil.



MISE EN GARDE

N'utilisez pas de minuterie externe ou d'autres systèmes de télécommande pour faire fonctionner l'appareil.

INFORMATIONS POUR L'INSTALLATEUR

Les procédures d'installation, de réglage, de transformation et d'entretien indiquées doivent être effectuées uniquement par du personnel qualifié conformément au cadre réglementaire en vigueur.



DANGER

Une installation incorrecte peut causer des blessures aux personnes et aux animaux domestiques ou des dommages matériels, pour lesquels le fabricant ne peut être tenu responsable.

Pendant la durée de vie de l'installation, les dispositifs de sécurité ou de réglage automatique de l'appareil ne peuvent être modifiés que par le fabricant ou l'installateur dûment autorisé.

INSTALLATION DU PRODUIT



NOTE

Retirez toutes les parties de l'emballage de l'appareil avant de jeter l'emballage.



NOTE

Retirez tous les emballages et films de protection avant l'installation.



DANGER

Conservez toutes les parties de l'emballage (polystyrène expansé, sachets, carton, clous) hors de portée des enfants, car ce sont des objets dangereux.



DANGER

Assurez-vous que le produit est intact après avoir retiré l'emballage interne et externe des différentes parties mobiles et avant de procéder à l'installation. En cas de doute, n'utilisez pas l'appareil et contactez un personnel qualifié.



MISE EN GARDE

Le conduit d'aération doit être construit conformément aux réglementations et lois régionales.



MISE EN GARDE

Assurez-vous d'une entrée d'air suffisante.



ATTENTION !

Toutes les surfaces verticales des meubles adjacents et le mur situé derrière le produit doivent être en matériau résistant à la chaleur capable de supporter une température de 90°C.

INSTALLATION DE LA TABLE

SÉLECTION DU MATÉRIEL D'INSTALLATION

Coupez le plan de travail en fonction des dimensions reportées sur le Fig. 2 . Aux fins d'installation et d'utilisation, un espace minimum de 5 cm doit être conservé autour du trou.

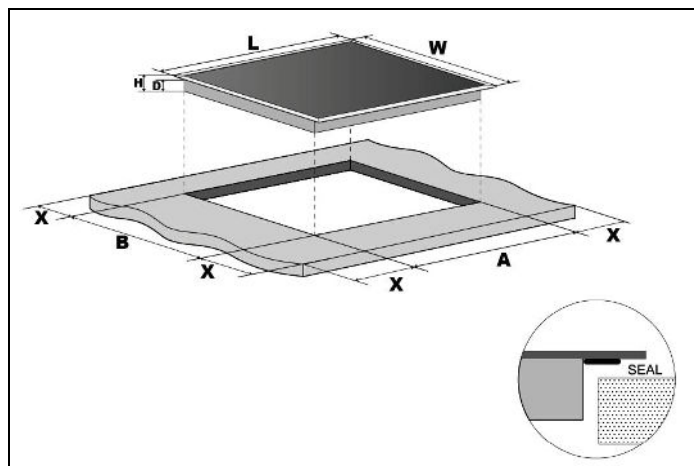


Fig. 2

L (MM)	W (MM)	H (MM)	P (MM)	A (MM)	B (MM)	X (MM)
590	520	60	56	560	480	50 MIN

Assurez-vous que l'épaisseur de la surface de travail est d'au moins 30 mm. Veuillez sélectionner un matériau de surface de travail résistant à la chaleur afin d'éviter une plus grande déformation causée par le rayonnement thermique de la plaque chauffante.

Dans toute circonstance, vérifiez que la table de cuisson est bien ventilée et que l'entrée et la sortie d'air ne sont pas obstruées. Assurez-vous que la table de cuisson est en bon état de fonctionnement.

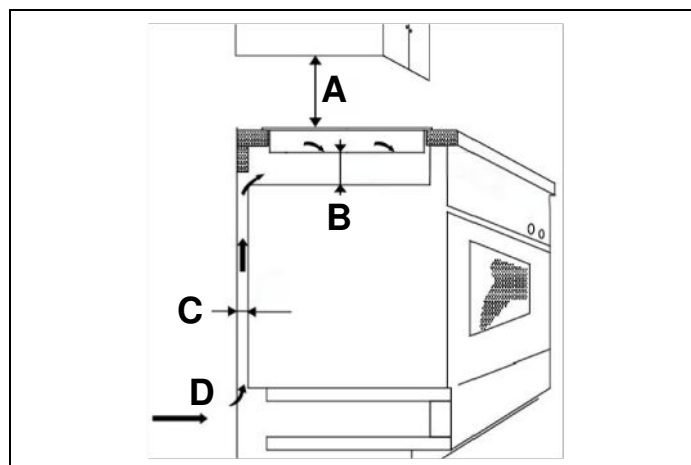


Fig. 3

A (MM)	B (MM)	C (MM)	D
650	20 MIN	20 MIN	Prise d'air



NOTE

La distance de sécurité entre la plaque chauffante et l'armoire au-dessus de la plaque chauffante doit être d'au moins 650 mm.

AVANT D'INSTALLER LA TABLE, VÉRIFIEZ QUE :

- Le plan de travail est à l'équerre, de niveau et qu'aucun élément structurel n'interfère avec les exigences d'espace.
- Le plan de travail est constitué d'un matériau résistant à la chaleur.
- Si la plaque est installée au-dessus d'un four, ce dernier est constitué d'un ventilateur de refroidissement intégré.
- L'installation devra être conforme à toutes les exigences en matière de dégagement ainsi qu'aux normes et réglementations en vigueur.
- Un interrupteur de sectionnement adapté permettant de couper entièrement la table de l'alimentation du réseau électrique est intégré au câblage permanent. Il est installé et positionné conformément aux règles et réglementations locales en matière de câblage.
- L'interrupteur de sectionnement doit être du type approprié et garantir une séparation de contact de 3 mm (lame d'air) sur tous les pôles (ou tous les conducteurs [phase] actifs si les règlements locaux en matière de câblage autorisent cette modification des caractéristiques)
- L'interrupteur de sectionnement sera facilement accessible au client avec la table de cuisson installée.
- Veuillez consulter les autorités locales et les règlements en matière de construction si un doute subsiste concernant l'installation

INSTALLATION DE LA TABLE

- Utilisez des finitions thermorésistantes faciles à nettoyer (comme des carreaux en céramique) sur les surfaces murales qui entourent la table.

LORS DE L'INSTALLATION DE LA TABLE, VÉRIFIEZ QUE :

- Le câble d'alimentation électrique n'est pas accessible par les portes du placard ou les tiroirs.
- Il y a un débit suffisant d'air frais entre l'extérieur du mobilier de cuisine et la base de la plaque.
- Si la plaque est installée au-dessus d'un tiroir ou d'un espace de rangement, une barrière de protection thermique est montée en dessous de la base de la table.
- L'interrupteur de sectionnement est facilement accessible par le client.

PROCÉDURE D'INSTALLATION

- 1) Découpez le plan de travail aux dimensions fournies indiquées avec l'équipement approprié. Scellez le bord coupé du plan de travail avec du silicone ou du PTFE et laissez sécher avant de poser la table de cuisson.

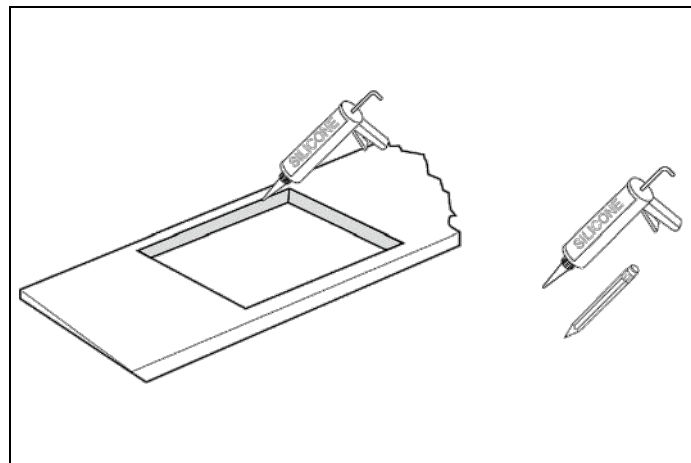


Fig. 4

- 2) Étendez le joint fourni le long du bord inférieur de la table en vérifiant que les extrémités se chevauchent.

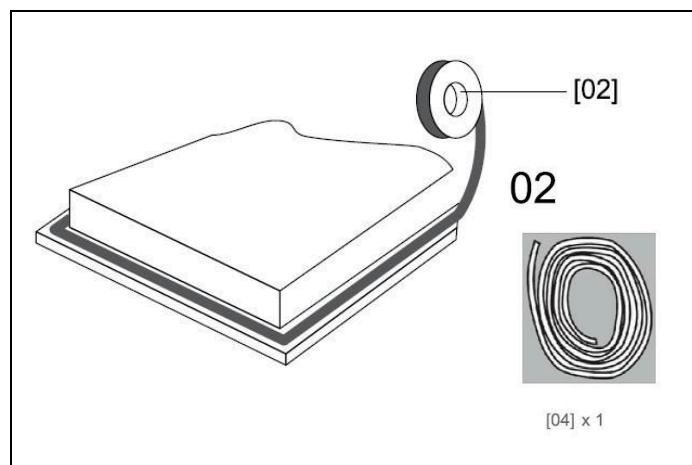


Fig. 5

INSTALLATION DE LA TABLE

- 3) N'utilisez pas de colle pour fixer la table dans le plan de travail. Une fois le joint posé, positionnez la table à l'intérieur de la découpe effectuée dans le plan de travail.

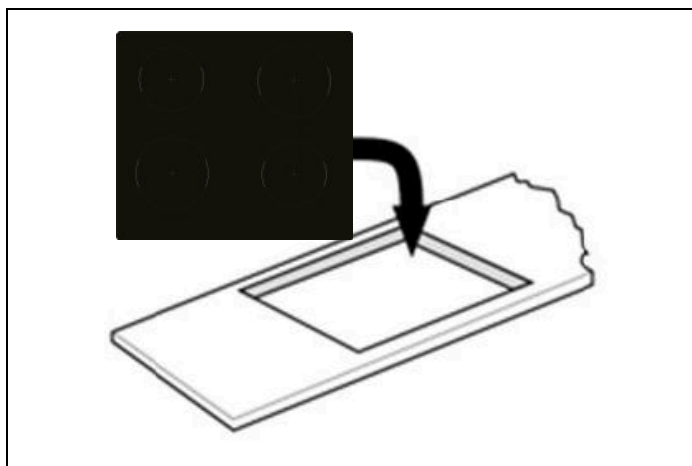


Fig. 6

- 4) Exercez une légère pression vers le bas sur la table pour la pousser dans le plan de travail et vérifiez que le joint est posé correctement tout autour du bord extérieur.

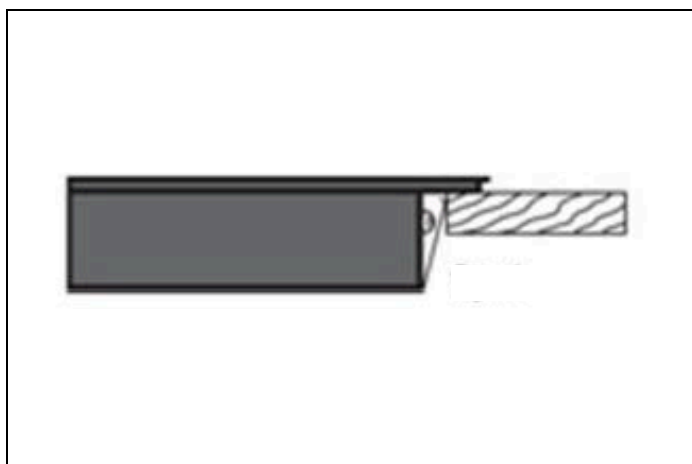


Fig. 7

MISES EN GARDE

- 1) La plaque vitrocéramique doit être installée par du personnel ou des techniciens qualifiés. Nous avons des professionnels à votre service. N'exécutez jamais d'opération de votre propre chef.
- 2) La table de cuisson ne sera pas installée directement au-dessus d'un lave-vaisselle, d'un réfrigérateur, d'un congélateur, d'un lave-linge ou d'un sèche-linge, car l'humidité pourrait endommager l'électronique de la table de cuisson.
- 3) La plaque chauffante en céramique doit être installée de manière à assurer un meilleur rayonnement thermique pour améliorer sa fiabilité.
- 4) Le mur et la zone de cuisson à induction au-dessus de la surface de la table doivent être résistants à la chaleur.
- 5) Pour éviter tout dommage, la couche intermédiaire et l'adhésif doivent être thermorésistants.

INSTALLATION DE LA TABLE

RACCORDEMENT DE LA TABLE AU RÉSEAU ÉLECTRIQUE

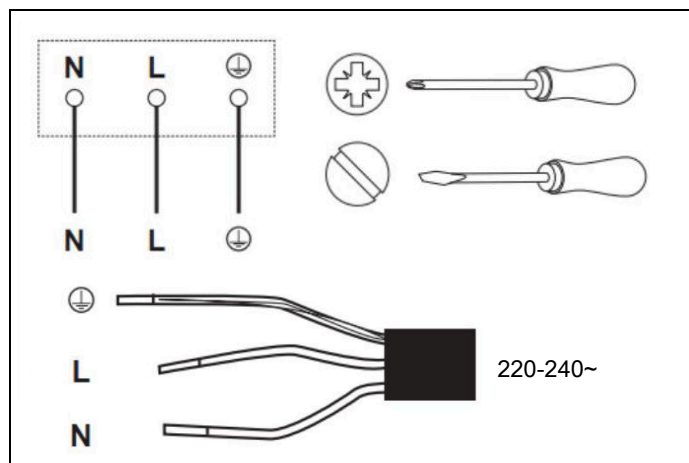
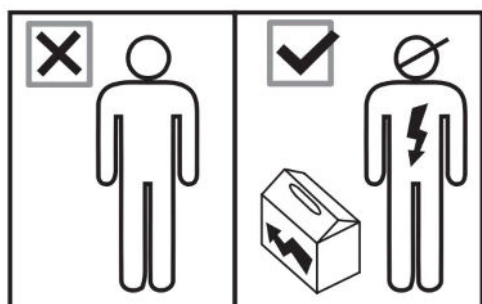



Fig. 8

Tous les travaux d'installation doivent être effectués par une personne compétente ou un électricien qualifié. Avant de brancher l'alimentation secteur, assurez-vous que la tension secteur correspond à la tension indiquée sur la plaque signalétique à l'intérieur de la hotte aspirante.

- **L – Marron** : Sous tension
- **N - Bleu** : Neutre
-  – **Vert et Jaune** : Terre

CET APPAREIL REQUIERT UN DISJONCTEUR MINIATURE DE 32 A.

- Si le câble est endommagé ou doit être remplacé, cette opération doit être effectuée par un technicien du service après-vente à l'aide d'outils spéciaux pour éviter tout accident.
- Si l'appareil est raccordé directement au réseau, installez un disjoncteur omnipolaire doté d'une ouverture minimale de 3 mm entre les contacts.
- L'installateur doit vérifier qu'un branchement électrique correct a été effectué et qu'il est conforme aux consignes de sécurité.
- Le câble ne doit pas être plié ni comprimé.
- Le câble doit régulièrement être vérifié et remplacé par des techniciens agréés uniquement.



MISE EN GARDE

CET APPAREIL DOIT ÊTRE RELIÉ À LA TERRE.



ATTENTION !

Cette table de cuisson doit être raccordée au secteur uniquement par une personne qualifiée.

Avant de raccorder la table au réseau électrique, vérifiez que :

- 1) Le circuit de câblage domestique est adapté à la puissance absorbée par la table.
- 2) La tension correspond à la valeur reportée sur la plaque signalétique.
- 3) La section des câbles d'alimentation électrique peut supporter la charge reportée sur la plaque signalétique.



ATTENTION !

Pour raccorder la table au réseau électrique, n'utilisez pas d'adaptateurs, de réducteurs ni de dispositifs de dérivation étant donné qu'ils peuvent provoquer une surchauffe et un incendie.



ATTENTION !

Il ne faut pas que le câble d'alimentation soit en contact avec des éléments chauds et il doit être positionné de manière à ce que sa température ne dépasse pas 180 °C à n'importe quel endroit.

Cet appareil est fourni avec un câble secteur à 3 conducteurs de la couleur indiquée sur Fig. 8

UTILISATION

AVERTISSEMENTS IMPORTANTS POUR L'UTILISATEUR



MISE EN GARDE

Ne placez pas d'objets métalliques comme des couteaux, des fourchettes, des cuillères ou des couvercles sur la surface de la plaque étant donné qu'ils risquent de devenir chauds.



MISE EN GARDE

Après utilisation, éteignez les éléments de cuisson à l'aide de leur commande ; ne vous fiez pas uniquement au capteur de casserole.



MISE EN GARDE

Les pièces accessibles peuvent devenir chaudes pendant l'utilisation. Tenez les enfants éloignés de l'appareil.



MISE EN GARDE

Les processus de cuisson doivent être surveillés. Une cuisson de courte durée doit être constamment surveillée.



MISE EN GARDE

L'appareil devient chaud pendant l'utilisation. Évitez de toucher les éléments chauffants à l'intérieur du four.



MISE EN GARDE

L'appareil n'a pas été conçu pour être utilisé par le biais d'une minuterie externe ou d'un système séparé de commande à distance.



ATTENTION !

N'utilisez pas de produits de nettoyage abrasifs ou de grattoirs métalliques tranchants pour nettoyer la vitre de la porte du four, car ils pourraient rayer sa surface et le verre pourrait se briser.

PLAQUE DE CUISSON À INDUCTION

DISPOSITION DE LA TABLE DE CUISSON

PUISSANCE DE LA ZONE DE CUISSON

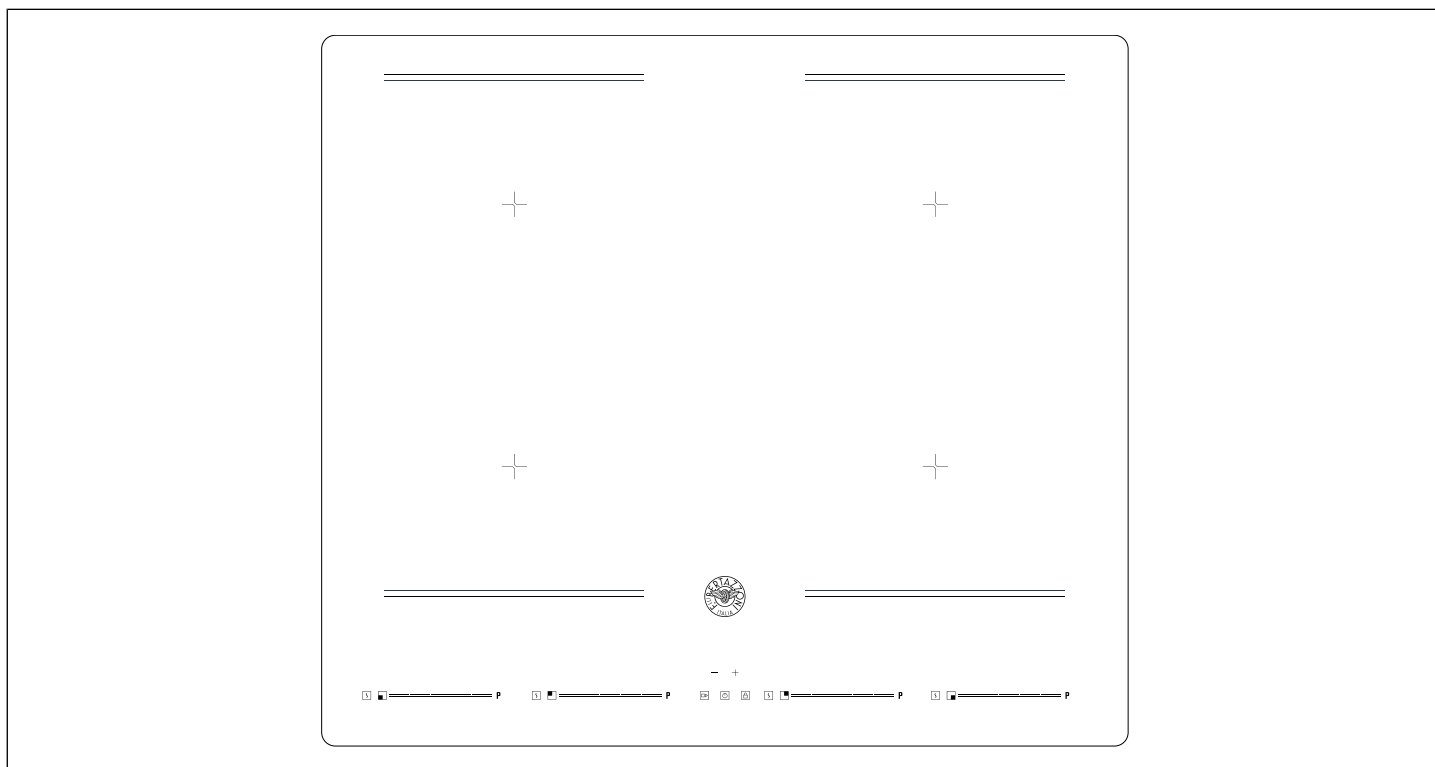







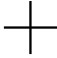

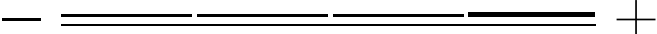

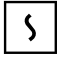



Fig. 9

ZONE DE CUISSON	FONCTIONNEMENT À PUISSANCE NORMALE (W)	AVEC FONCTION BOOSTER (W)	AVEC DOUBLE FONCTION BOOSTER (W)	AVEC FONCTION BRIDGE (W)
 Zone avant gauche	2000	2600	2800	3000/3400/3600
 Zone arrière gauche	1500	1800	2000	
 Zone arrière droite	1500	1800	2000	3000/3400/3600
 Zone avant droite	2000	2600	2800	
ZONE DE CUISSON	NIVEAUX DE LIMITATION DE PUISSANCE		PUISSANCE NOMINALE TOTALE	
Puissance max. (220-240 V ~ 50/60 Hz)	2 800/4 500/6 000/7 200 W		7400W	

PLAQUE DE CUISSON À INDUCTION

INTERFACE UTILISATEUR

	RÉFÉRENCE	DESCRIPTION
A		Touche de sélection des zones
B		Touche marche/arrêt (ON/OFF)
C		Touche de réglage de la minuterie (réduire)
D		Touche de réglage de la minuterie (augmenter)
E		Touche de commande du booster
F		Touche de réglage Power Touch Slider
G		Sécurité enfant
H		Fonction de cuisson
I		Fonction pause

PLAQUE DE CUISSON À INDUCTION

UTILISATION DES COMMANDES TACTILES

- Les commandes répondent au toucher ; par conséquent, ce n'est pas nécessaire d'exercer une pression sur les touches.
- Veuillez utiliser non pas l'extrémité, mais le plat du doigt.
- Vous entendrez un « bip » dès qu'un contact tactile sera enregistré.
- Assurez-vous que les commandes sont toujours propres, sèches et qu'aucun objet (par exemple, un ustensile ou un chiffon) ne les recouvre. Même un mince film d'eau peut rendre les commandes difficiles à utiliser.

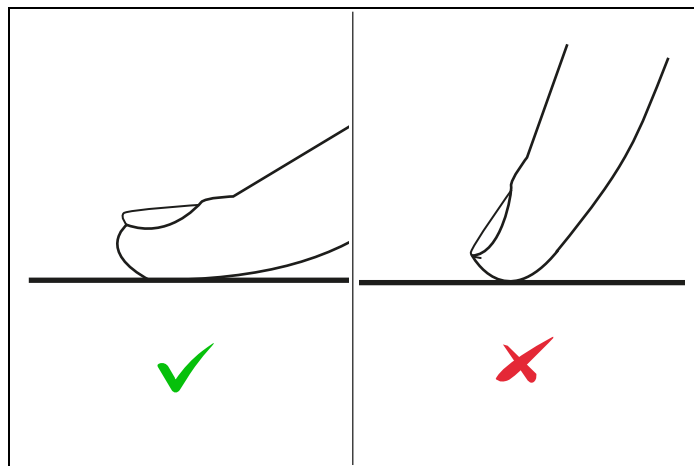


Fig. 10

SÉLECTION DE LA BONNE BATTERIE DE CUISINE

N'utilisez pas de batteries de cuisine dotées de bords irréguliers ou d'une base incurvée.

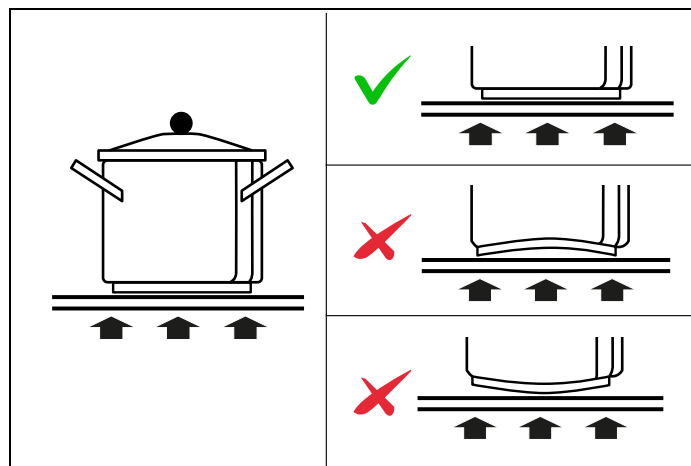


Fig. 11

Vérifiez que la base de votre casserole est lisse, qu'elle repose à plat contre le verre et qu'elle est de la même dimension que la zone de cuisson.

Utilisez des casseroles dont le diamètre est aussi grand que celui du schéma sur la zone sélectionnée. À l'aide d'un pot, une énergie légèrement plus large sera utilisée à son efficacité maximale. Si vous utilisez un pot plus petit, l'efficacité pourrait être moindre que prévu. Centrez toujours votre casserole sur la zone de cuisson.

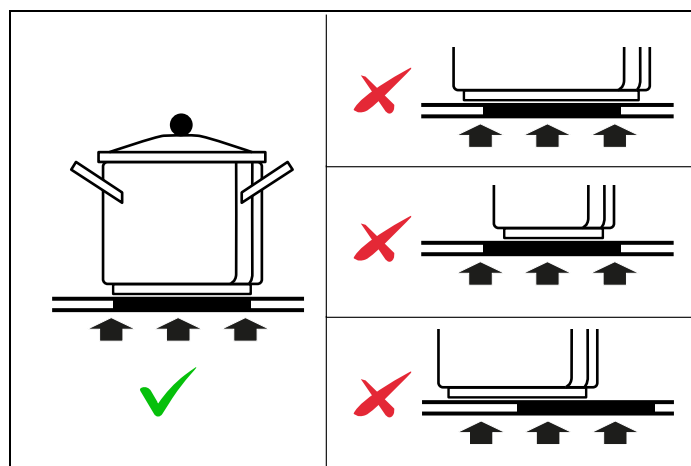


Fig. 12

Soulevez vos casseroles de la table - ne les faites pas glisser sur la surface en verre au risque de la rayer.

PLAQUE DE CUISSON À INDUCTION

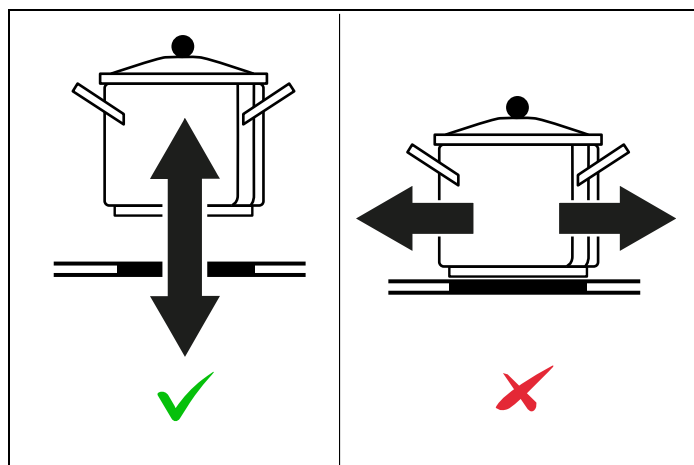


Fig. 13


Le fond de la casserole doit être en fer ou en acier/fer pour générer le champ magnétique nécessaire au processus de chauffage.



NOTE

Les casseroles fabriquées dans les matériaux suivants ne conviennent pas :

- verre
- porcelaine
- céramique
- acier, aluminium ou cuivre sans fond magnétique.

Pour vérifier qu'une casserole convient, il suffit de mettre un peu d'eau dans la casserole, de la placer sur une zone de cuisson et d'allumer la zone. Si  s'affiche à la place de la puissance, le récipient de cuisson n'est pas adapté.

Assurez-vous que le matériau de la casserole est adapté à l'induction. Pour vérifier le matériel, placez un aimant au fond de la casserole, si elle colle, la casserole est appropriée pour l'induction.

UTILISATION DE VOTRE PLAQUE À INDUCTION

DÉMARRAGE DE LA CUISSON

- 1) Posez une casserole adaptée sur la zone de cuisson que vous voulez utiliser. Vérifiez que le fond de la casserole et la surface de la zone de cuisson sont propres et sèches.

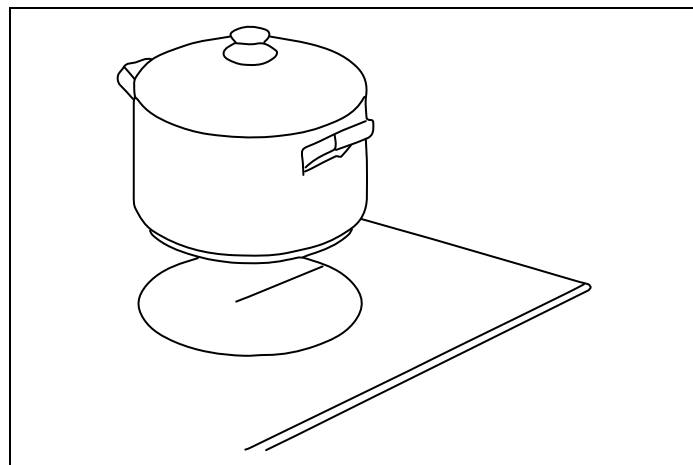


Fig. 14

- 2) Touchez la commande marche/arrêt (ON/OFF).

Après avoir allumé, le bruiteur émet un bip, tous les écrans affichent « 8 », indiquant que la table de cuisson est entrée en mode veille.

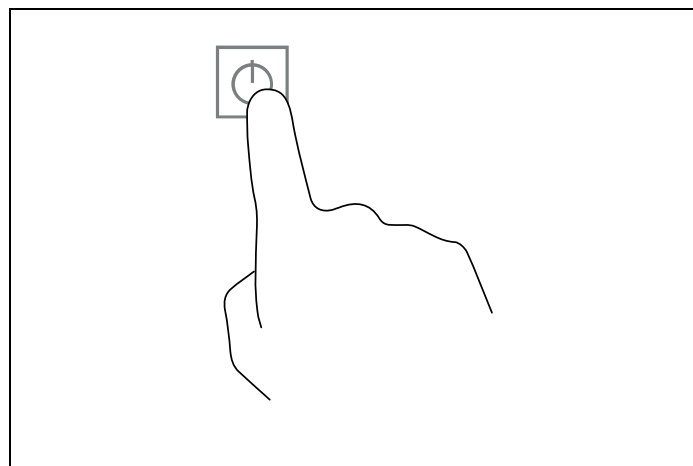


Fig. 15

PLAQUE DE CUISSON À INDUCTION

- 3) Selon la zone de chauffage où la casserole est placée, ajustez le réglage de la chaleur en touchant la touche de réglage du curseur.

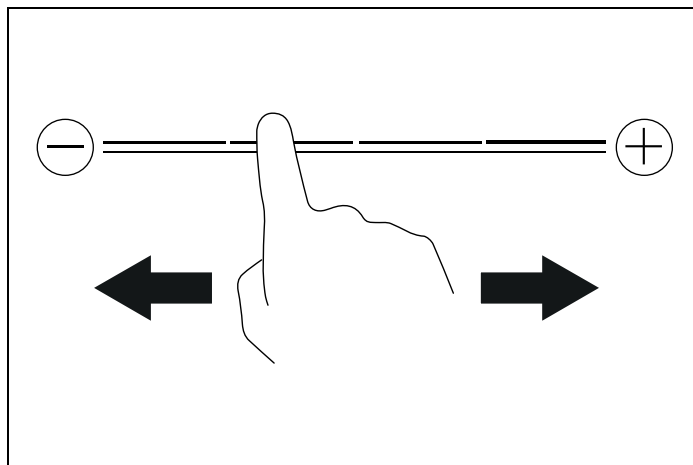


Fig. 16

- Si vous ne réglez pas la puissance dans les 20 secondes, la table à induction s'éteint automatiquement. Vous devez recommencer la procédure à partir de l'étape 2.
- Vous pouvez modifier la puissance à tout moment pendant la cuisson.

UTILISATION DE LA FONCTION SÉCURITÉ ENFANTS (Child lock)

- Vous pouvez verrouiller les commandes pour éviter toute utilisation involontaire (par exemple, allumage accidentel des zones de cuisson par un enfant).
- En cas de verrouillage, toutes les commandes sont désactivées à l'exception de la commande Arrêt (OFF).

VERROUILLAGE DES COMMANDES

Appuyez sur la touche Sécurité enfant pendant 3 secondes. L'indicateur situé au-dessus de la touche Sécurité enfant s'allume et « Lo » s'affiche sur l'indicateur de la minuterie.

DÉVERROUILLAGE DES COMMANDES


- 1) Vérifiez que la plaque est en marche.
- 2) Maintenez la commande de verrouillage des touches enfoncées quelques instants.
- 3) Vous pouvez désormais commencer à utiliser votre plaque à induction.

NOTE




Lorsque la table de cuisson est en mode verrouillage, toutes les commandes sont désactivées sauf OFF, vous pouvez toujours éteindre la table de cuisson avec la commande OFF en cas d'urgence, mais vous devez d'abord déverrouiller la table de cuisson lors de la prochaine opération.

UTILISATION DE LA MINUTERIE



- Vous pouvez la paramétrer pour qu'elle éteigne une zone de cuisson à la fin du temps de réglage.
 - La minuterie peut être réglée au maximum sur 99 minutes.
- 1) Sélectionnez la zone de cuisson appropriée qui fonctionne en appuyant sur la touche de sélection de zone.
 - 2) Appuyez sur « + » ou « - ». Les indicateurs de minuterie afficheront 01 (appuyer sur +) ou 00 (appuyer sur -)
 - 3) À l'aide des boutons « + » ou « - », vous pouvez régler la minuterie de 1 à 99 minutes.
 - 4) Lorsque le temps a été réglé, le compte à rebours commence immédiatement. L'indicateur affichera à nouveau le niveau de puissance après 10 secondes. L'indicateur de niveau de puissance restera toujours actif et l'icône de la minuterie  s'affichera.
 - 5) Si vous avez besoin de vérifier le temps restant, vous pouvez recommencer les étapes 1 et 2.
 - 6) Quand le temps de la minuterie est arrivé à expiration, la zone de cuisson correspondante s'éteint automatiquement. L'autre zone de cuisson restera en marche si elle était activée auparavant.

UTILISATION DE LA FONCTION FLEX-ZONE

Pour activer la fonction Flex-zone :

- 1) Appuyez simultanément n'importe où sur les côtés gauche et droit de la barre de défilement. Par exemple, appuyez sur le niveau 1 à gauche et le niveau 8 à droite. L'icône Flex-zone  s'affichera indiquant que la fonction a été activée.
- 2) Après l'apparition de l'icône de Flex-zone, l'affichage passe automatiquement au niveau 5. Une fois le niveau 5 affiché, vous pouvez régler le niveau souhaité en touchant simplement la barre de défilement.
- 3) Si vous souhaitez annuler la fonction flex-zone, appuyez simultanément sur les barres de défilement de zone gauche et droite et les zones seront remises à zéro.



UTILISATION DU BOOSTER ET DU DOUBLE BOOSTER DE ZONE

- Vous pouvez utiliser la fonction booster/double booster en appuyant sur la touche booster
- Appuyez une fois sur la touche Booster, la zone d'affichage affichera , indiquant que la table de cuisson est entrée en mode Booster. Après être entré en mode booster, appuyez à nouveau sur la touche booster, la zone d'affichage affichera , indiquant que la table de cuisson est entrée en mode double booster.

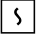
PLAQUE DE CUISSON À INDUCTION




UTILISATION DES FONCTIONS PAUSE ET RECALL

La fonction Pause peut être utilisée à tout moment au cours de la cuisson. Elle permet d'arrêter la table de cuisson et de revenir à la cuisson sans perdre aucun réglage.

- 1) Assurez-vous que la zone de cuisson fonctionne.
- 2) Appuyez sur le  bouton. Les indicateurs de la zone de cuisson indiqueront . La table de cuisson sera désactivée, à l'exception des fonctions Pause et Recall, marche/arrêt (ON/OFF) et de la sécurité enfant. .
- 3) Pour annuler la pause, appuyez à nouveau sur le bouton Pause et Rappel ; les indicateurs se mettront à clignoter, puis dans les 10 secondes, appuyez sur n'importe quel bouton (autre que le bouton Pause et Rappel) pour réactiver les zones en fonctionnement.

UTILISATION DE LA FONCTION CUISSON

Appuyez sur le bouton de sélection de la zone de cuisson que vous souhaitez utiliser, puis appuyez sur . L'indicateur de la zone de cuisson indiquera affichera l'icône ci-dessous pour chaque fonction de cuisson :

-  Faire fondre ou décongeler (environ 50 °C)
-  Chauffer ou maintenir au chaud (environ 70 °C)
-  Permet de faire mijoter (température proche de l'ébullition) ; très utile en cas de cuisson lente

FONCTIONS SPÉCIALES

PROTECTION CONTRE LA SURCHAUFFE

Un capteur surveille la température dans les zones de cuisson. Lorsque la température dépasse un niveau de sécurité, la zone de cuisson s'éteint automatiquement.

INDICATEUR DE CHALEUR RÉSIDUELLE






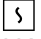


Lorsque la table de cuisson a fonctionné pendant un certain temps, il y aura de la chaleur résiduelle. La lettre **H** apparaît pour vous avertir qu'il fait trop chaud pour toucher la surface.

DÉTECTION AUTOMATIQUE DES POTS

En plaçant la casserole sur la zone de cuisson souhaitée, le voyant de puissance spécifique s'allumera automatiquement.

LIMITATION DE PUISSANCE

La fonction de limitation de puissance permet d'adapter la consommation électrique de l'appareil à la puissance électrique disponible dans la maison. Pour activer la fonction, procédez comme suit :

- 1) Appuyez sur  Pendant 3 secondes. L'écran affichera **-**.
- 2) Appuyez simultanément sur la touche fonction cuisson  de la zone de chauffage arrière gauche et . L'écran affichera  **88**
- 3) Appuyez sur . L'écran affichera  **88**
- 4) Appuyez simultanément sur la touche fonction cuisson  de la zone de chauffage arrière gauche et . L'écran affichera les valeurs actuelles de réglage de la puissance maximale **28/45/60/72**.
- 5) Appuyez sur les touches « - » ou « + » pour modifier et réinitialiser votre puissance attendue 9 000 W / 3 500 W / 2 800 W.
- 6) Appuyez sur  pour enregistrer les paramètres et quitter ce mode.

PLAQUE DE CUISSON À INDUCTION

ARRÊT AUTOMATIQUE DE PROTECTION

L'arrêt automatique est une fonction de sécurité qui protège votre table à induction. Elle s'éteint automatiquement si vous avez oublié de mettre votre plaque sur Arrêt (OFF). Les temps de fonctionnement par défaut relatifs aux différents niveaux de puissance sont reportés dans le tableau ci-dessous :

NIVEAU DE PUISSANCE	MINUTERIE DE FONCTIONNEMENT PAR DÉFAUT (MIN)
1-3	360
4-6	180
7-8	120
9	90



NOTE

Protection contre l'opération involontaire.

Si la commande électronique détecte qu'un bouton est maintenu enfoncé pendant env. 10 secondes, il s'éteindra automatiquement. La commande envoie un signal d'erreur sonore pour avertir que les capteurs ont détecté la présence d'un objet. L'écran indiquera un code d'erreur **ER03**. Si la table de cuisson est encore chaude, les affichages **H** et **0** clignotent alternativement.

PRÉCAUTIONS ET MAINTENANCE



MISE EN GARDE

Coupez toujours l'alimentation électrique avant d'effectuer des travaux d'entretien. En cas de défaillance, contactez le service client.



MISE EN GARDE

Débranchez toujours l'appareil du réseau électrique avant de le nettoyer.



MISE EN GARDE

N'utilisez pas de nettoyeurs à vapeur lorsque vous nettoyez l'appareil.



Les câbles électriques endommagés doivent être remplacés par une personne compétente ou un électricien qualifié.



À usage domestique uniquement.



Ne placez jamais une casserole vide sur la table de cuisson, car cela entraînerait l'apparition d'un message d'erreur sur le panneau de commande.



Lorsqu'une zone de cuisson est allumée depuis longtemps, la surface reste chaude pendant un certain temps par la suite, ne touchez donc pas la surface en céramique.



Pour les aliments scellés, veuillez ne pas les chauffer avant d'ouvrir en retirant le couvercle afin d'éviter tout danger d'explosion dû à la dilatation de la chaleur.



Si la surface de la table de cuisson est fissurée, débranchez-la de l'alimentation électrique pour éviter tout risque d'électrocution.



Ne placez pas de casseroles rugueuses ou inégales sur la table de cuisson, car elles pourraient endommager la surface en céramique.



Évitez de cogner les casseroles et les poêles sur la table de cuisson. La surface en céramique est dure, mais pas incassable.



Ne mettez pas de détergents ou de matériaux inflammables en dessous de la table de cuisson.

PLAQUE DE CUISSON À INDUCTION

Avant de commencer à le nettoyer, laissez refroidir la table de cuisson jusqu'à ce que le voyant de chauffe s'éteigne.

N'utilisez pas de pâtes ou poudres abrasives ni d'éponges métalliques. Tous les résidus d'eau, de nourriture et de détergent doivent être éliminés avant réutilisation.

Enlevez les salissures légères avec un chiffon doux imbibé d'eau et de détergent, puis lustrez avec un chiffon en microfibre.

Pour les tâches les plus tenaces, utilisez un produit spécifique en suivant le mode d'emploi du fabricant.

En cas de déversement de matières très sucrées (comme de la confiture) ou si du plastique ou des métaux sont accidentellement fondus sur la surface, éteignez la table de cuisson et retirez immédiatement la saleté, en faisant très attention, car la table de cuisson et la saleté seront très chaudes.

VERRE

Nettoyez avec un chiffon doux imbibé d'eau chaude et de détergent liquide. Séchez avec un chiffon microfibre.

La saleté tenace peut être retirée à l'aide d'un détergent en crème. N'utilisez pas d'objets pointus, car ils pourraient rayer le verre.

PRÉCAUTIONS ET MAINTENANCE

NETTOYAGE DE L'APPAREIL



ATTENTION !

Évitez de frotter avec un abrasif ou avec le fond des casseroles, etc., car cela usera les marques sur le dessus de la plaque de cuisson à induction avec le temps.



ATTENTION !

Nettoyez régulièrement la plaque de cuisson à induction pour éviter l'accumulation de résidus alimentaires.

- L'appareil doit être nettoyé après utilisation.
- La surface de la plaque de cuisson à induction peut être facilement nettoyée comme expliqué dans le tableau ci-dessous.

À l'aide d'un grattoir, retirez immédiatement de la surface les morceaux de papier d'aluminium, les éclaboussures d'aliments, les éclaboussures de graisse, les marques de sucre et autres aliments à haute teneur en sucre afin d'éviter d'endommager la table de cuisson. Nettoyez ensuite la surface avec une serviette et un produit approprié, rincez à l'eau et séchez avec un chiffon propre. N'utilisez en aucun cas des éponges ou des chiffons abrasifs, évitez également d'utiliser des détergents chimiques agressifs tels que des sprays pour four et des détachants.

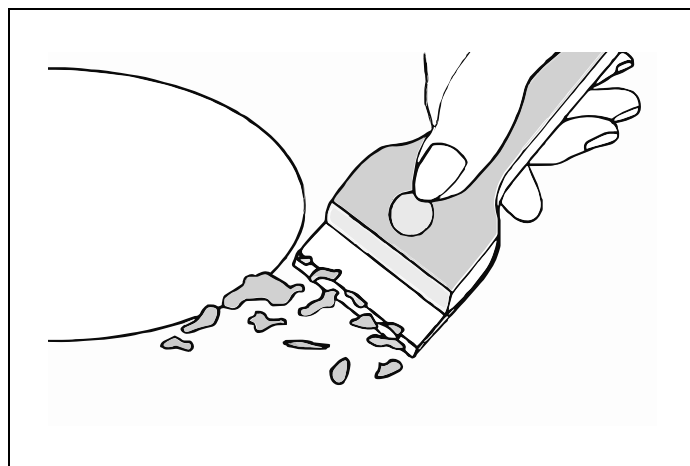


Fig. 17

TYPE DE SALETÉ	MÉTHODE DE NETTOYAGE	MATÉRIAUX DE NETTOYAGE
Calcaire	Appliquez du vinaigre blanc sur la surface, puis essuyez-la avec un chiffon doux	Nettoyant spécial céramique
Taches brûlées	Nettoyez avec un chiffon humide et séchez avec un chiffon doux	Nettoyant spécial céramique
Taches légères	Nettoyez avec un chiffon humide et séchez avec un chiffon doux	Éponge de nettoyage
Plastiques fondus	Utilisez un grattoir adapté à la vitrocéramique pour enlever les résidus	Nettoyant spécial céramique

DÉPANNAGE

Avant d'appeler le service client, veuillez vérifier que l'appareil est correctement branché, tous les cas suivants ne sont pas couverts par la garantie.

- Dommages causés par une utilisation, un entreposage ou un entretien inappropriés.
- Dommages causés par un démontage et une réparation non autorisés.
- Dommages causés par une mauvaise utilisation.
- Utilisation de la plaque à induction à des fins professionnelles.

Si une anomalie survient, la plaque de cuisson à induction entrera automatiquement dans l'état de protection et affichera les codes de protection correspondants indiqués dans le tableau ci-dessous.



ATTENTION !

Ne démontez pas l'appareil vous-même pour éviter tout danger et tout dommage à la plaque de cuisson à induction. Si un service supplémentaire est nécessaire, veuillez contacter le fournisseur.

CODE D'ERREUR	CAUSE POSSIBLE	QUE FAIRE
	Pas de pot ou pot non adapté ;	Remplacer le pot ;
ER03	Eau ou pot sur le verre au-dessus de la commande	Nettoyer l'interface utilisateur
F1E	La connexion entre la carte d'affichage et la carte mère gauche est défectueuse (la zone de cuisson dont l'indicateur affiche E)	1) Le câble de raccordement n'est pas branché correctement ou est défectueux ; 2) Remplacer la carte mère.
F3E	Défaillance du capteur de température de la bobine. (sur la zone de cuisson correspondant à l'affichage du E par l'indicateur)	Remplacer le capteur de la bobine
F4E	Défaillance du capteur de température de la carte principale. (sur la zone de cuisson correspondant à l'affichage du « E » par l'indicateur)	Remplacer la carte principale
E1E	Le capteur de température de la plaque en vitrocéramique détecte une valeur élevée	Veuillez redémarrer la table à induction après l'avoir laissée refroidir.
E2 E	Le capteur de température du transistor bipolaire à grille isolée (IGBT) détecte une valeur élevée	Veuillez redémarrer la table à induction après l'avoir laissée refroidir.
E3 E	Tension d'alimentation anormale (trop élevée)	Vérifier que la tension d'alimentation est normale ; mettre en marche quand la tension d'alimentation est normale.
E4 E	Tension d'alimentation anormale (trop basse)	Vérifier que la tension d'alimentation est normale ; mettre en marche quand la tension d'alimentation est normale.
E5 E	Défaillance du capteur de température (la zone de cuisson correspondant à l'affichage du E par l'indicateur)	Le câble de raccordement n'est pas branché correctement ou l'assemblage est défectueux ;

GARANTIE

GARANTIE ET ASSISTANCE



Bertazzoni s'engage à fournir un service de la plus haute qualité à ses clients. Dans le cas peu probable où votre produit présenterait un défaut de fabrication, veuillez contacter notre équipe d'assistance au :

<https://fr.bertazzoni.com/customer-care>

Il vous sera demandé de fournir des informations sur le produit, une preuve d'achat, une photo de l'étiquette de données argentée et une description du problème. Veuillez préparer ces informations.

VAN HET BUREAU VAN ONZE VOORZITTER

Beste nieuwe eigenaar van een Bertazzoni-apparaat,

Ik wil u bedanken voor uw keuze van een van onze prachtige producten voor uw huis.

Mijn familie is in 1882 begonnen met de productie van keukenapparatuur in Italië, en heeft een reputatie opgebouwd dankzij de kwaliteit van de techniek en de passie voor heerlijk voedsel.

Vandaag de dag onderscheiden onze producten zich door hun unieke mix van authentiek Italiaans design en superieure apparaattechnologie. Het is onze missie om producten te maken die perfect functioneren en vreugde brengen aan hun eigenaren.

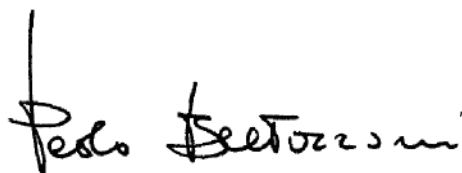
Door mooie producten te maken reageren we op de flair van onze klanten voor fraai design. Door onze apparaten veelzijdig en gebruiksvriendelijk te maken, wordt koken met Bertazzoni een waar genot.

Deze handleiding helpt u uw Bertazzoni-apparaat op de veiligste en meest effectieve manier te gebruiken en te onderhouden, zodat het u de komende jaren uiterst tevreden zal stellen.

Geniet ervan!

Paolo Bertazzoni

Voorzitter

A handwritten signature in black ink that reads "Paolo Bertazzoni". The signature is written in a cursive, slightly stylized font.

GELDIGHEID VAN DE GEBRUIKERSHANDLEIDING

De volgende handleiding is alleen geldig voor de productcode P604I2M28NVS.

INHOUDSOPGAVE

ALGEMENE INFORMATIE	81
DE HANDLEIDING LEZEN	81
INLEIDING EN VEILIGHEID	81
IDENTIFICATIE APPARAAT	82
ALGEMENE VEILIGHEIDSINFORMATIE	82
INSTALLATIE	84
TECHNISCHE HANDLEIDING VOOR DE INSTALLATEUR	84
INFORMATIE VOOR DE INSTALLATEUR	84
HET PRODUCT INSTALLEREN	84
DE KOOKPLAAT INSTALLEREN	85
KEUZE VAN DE INSTALLATIE-APPARATUUR	85
INSTALLATIEPROCEDURE	86
OPGELET	87
AANSLUITING VAN DE KOOKPLAAT OP DE NETVOEDING	87
GEBRUIK EN ONDERHOUD	89
GEBRUIK	89
BELANGRIJKE WAARSCHUWINGEN VOOR DE GEBRUIKER	89
INDUCTIEKOOKPLAAT	90
LAY-OUT KOOKPLAAT	90
GEBRUIK VAN DE AANRAAKBEDIENING	92
DE JUISTE PANNEN KIEZEN	92
UW INDUCTIEKOOKPLAAT GEBRUIKEN	93
SPECIALE FUNCTIES	95
VERZORGING EN ONDERHOUD	97
INDUCTIEKOOKPLAAT	97
GLAS	97
REINHEID VAN HET APPARAAT	98
PROBLEMEN OPLOSSEN	99
GARANTIE	100
GARANTIE EN SERVICE	100

ALGEMENE INFORMATIE

DE HANDLEIDING LEZEN

Deze instructies zijn geldig voor verschillende soorten apparaten en dus kunnen ze beschrijvingen of functies bevatten die uw apparaat niet bevat of ondersteunt.

De afbeeldingen en illustraties in dit document verwijzen naar diverse modellen en kunnen enigszins afwijken van het gekochte product.

De fabrikant aanvaardt geen aansprakelijkheid voor persoonlijk letsel of materiële schade veroorzaakt door een onjuiste installatie of een oneigenlijk gebruik van het apparaat.

De fabrikant behoudt zich het recht voor om de verschillende modellen naar noodzaak te wijzigen om te voldoen aan de geldende technische voorschriften.

Neem in geval van klachten contact op met de klantenservice.

INLEIDING EN VEILIGHEID

Lees de aanwijzingen van deze handleiding zorgvuldig door voordat u het apparaat installeert en/of gebruikt.

Op deze manier leert u uw nieuwe apparaat kennen.

Houd dit document onder handbereik, zodat u het op elk moment kunt raadplegen, en overhandig het aan eventuele volgende eigenaren.

Lees de veiligheidsberichten in de inleiding van deze handleiding en besteed de nodige aandacht aan veiligheidsaanwijzingen zoals: "Opgelet", "Waarschuwing" en "Gevaar" die in de tekst worden aangegeven.



GEVAAR

Dit symbool duidt op een situatie die gevaarlijk is voor u en voor anderen. Lees de informatie zorgvuldig door en zorg ervoor dat u de oorzaken van potentieel gevaarlijke of dodelijke ongevallen perfect hebt begrepen.



WAARSCHUWING

Dit symbool duidt op veiligheidsinformatie. Lees de informatie zorgvuldig door en zorg ervoor dat u de oorzaken van potentieel gevaarlijke ongevallen perfect hebt begrepen.



OPGELET

Dit symbool duidt op een procedure die de structuur of de onderdelen van het apparaat in gevaar kan brengen. Besteed bijzondere aandacht aan deze procedures.



OPMERKING

Dit symbool duidt op nuttig advies en vraagt uw aandacht voor correcte procedures en praktijken. Door de met dit symbool gemarkeerde instructies na te leven, voorkomt u problemen voor uzelf.

Het symbool markeert methoden of procedures voor het correcte gebruik van het apparaat.

IDENTIFICATIE APPARAAT

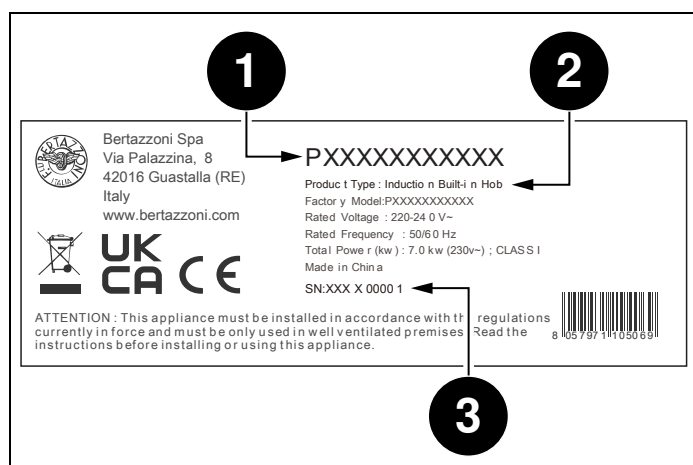


Fig. 1

Het typeplaatje bevat de volgende informatie:

- 1) Verkoopcode
- 2) Model
- 3) Serienummer

ALGEMENE VEILIGHEIDSINFORMATIE

Dit apparaat voldoet aan de Europese RoHS-richtlijn 2012/19/EU.



Dit apparaat is gemarkeerd in overeenstemming met de Europese richtlijn 2012/19/EG inzake afgedankte elektrische en elektronische apparatuur (AEEA).

Deze richtlijn bevat de voorschriften voor de inzameling en recycling van afgedankte apparatuur in de gehele Europese Unie.



Het symbool van de doorgestreepte vuilnisbak op het product geeft aan dat Afgedankte Elektrische en Elektronische Apparatuur (AEEA) niet verwijderd mag worden met gewoon stedelijk afval, maar gescheiden moet worden ingezameld, zodat ze op speciale manier verwerkt kan worden met het oog op het hergebruik of de specifieke behandeling voor de veilige verwijdering en verwerking van eventuele stoffen die schadelijk zijn voor het milieu en voor het scheiden van grondstoffen die gerecycled kunnen worden.

Derhalve moet AEEA worden ingeleverd bij recyclingcentra die beheerd worden door gemeentelijke instanties of afvalverwerkingsbedrijven. Verder kan de AEEA bij de aankoop van een nieuw apparaat worden afgeleverd aan de detailhandelaar, die verplicht is om het gratis terug te nemen (terugname "1 tegen 1"). "Zeer kleine" AEEA (maximale afmeting 25 cm) kan gratis bij de detailhandelaars worden ingeleverd, ook als er geen nieuw apparaat wordt aangeschaft (terugname "0 tegen 1" - dit is echter alleen verplicht voor winkels met een verkoopoppervlak boven de 400 m²).



GEVAAR

Dit apparaat is niet bedoeld voor gebruik door personen, inclusief kinderen, met verminderde geestelijke of motorische vermogens, of die geen ervaring of kennis hebben inzake de werking van het apparaat. Deze personen mogen het apparaat alleen gebruiken onder toezicht van een persoon die verantwoordelijk is voor hun veiligheid en die ze passende instructies inzake het gebruik van het apparaat geeft.

ALGEMENE INFORMATIE



GEVAAR

Als het oppervlak van de kookplaat gebarsten is, schakel het apparaat dan uit om het risico op elektrische schokken te voorkomen.



GEVAAR

Brandgevaar: laat geen ontvlambare voorwerpen achter op het kookoppervlak.



GEVAAR

Automatisch koken op de kookplaat met vet of olie kan gevaarlijk zijn of brand veroorzaken. Blus eventuele branden niet met water. Schakel het apparaat uit en bedek de vlammen met een deksel of een branddeken.



GEVAAR

Dit apparaat mag worden gebruikt door kinderen vanaf 8 jaar en door personen met verminderde lichamelijke, zintuiglijke of geestelijke vermogens of zonder de noodzakelijke ervaring en kennis, op voorwaarde dat zij onder toezicht staan of instructies hebben gekregen omtrent het veilige gebruik van het apparaat en de betrokken gevaren hebben begrepen. Kinderen mogen niet met het apparaat spelen. Door de gebruiker uit te voeren reiniging en onderhoud mogen niet worden verricht door kinderen die niet onder toezicht staan.



WAARSCHUWING

Het apparaat en de bereikbare delen worden tijdens het gebruik heet. Raak de verwarmingselementen niet aan. Kinderen jonger dan 16 jaar moeten uit de buurt van het apparaat worden gehouden, tenzij ze onder voortdurend toezicht staan.

Raak de verwarmingselementen van de kookplaat en/of de binnenkant van de oven niet aan.



WAARSCHUWING

Bereikbare delen kunnen tijdens het gebruik heet worden. Kinderen moeten uit de buurt van het apparaat worden gehouden.



WAARSCHUWING

Zorg ervoor dat het apparaat wordt losgekoppeld van het elektriciteitsnet voordat de lamp wordt vervangen, om mogelijke elektrische schokken te voorkomen.



WAARSCHUWING

Gebruik geen stoomreiniger om uw apparaat te reinigen.



WAARSCHUWING

Gebruik voor de werking van het apparaat geen externe timer of andere bedieningssystemen op afstand.

INFORMATIE VOOR DE INSTALLATEUR

De beschreven installatie-, afstellings-, ombouw- en onderhoudsprocedures mogen alleen worden uitgevoerd door gekwalificeerd personeel, in overeenstemming met het huidige regelgevingskader.



GEVAAR

Een onjuiste installatie kan letsel voor mensen en dieren en materiële schade veroorzaken, waarvoor de fabrikant niet aansprakelijk kan worden gesteld.

Tijdens de levensduur van het systeem mogen de veiligheidsvoorzieningen of automatische afstelinrichtingen van het apparaat alleen gewijzigd worden door de fabrikant of door een daartoe gemachtigde installateur.

HET PRODUCT INSTALLEREN



OPMERKING

Verwijder al het verpakkingsmateriaal vanaf het apparaat voordat u de verpakking weggooit.



OPMERKING

Verwijder al het verpakkingsmateriaal en beschermende folie voorafgaand aan de installatie.



GEVAAR

Houd al het verpakkingsmateriaal (polystyreenschuim, zakken, kartonnen dozen, spijkers) buiten het bereik van kinderen, aangezien dit gevaarlijke voorwerpen zijn.



GEVAAR

Controleer na de verwijdering van de inwendige en uitwendige verpakking van de verschillende bewegende delen en voorafgaand aan de installatie of het product intact is. In geval van twijfel mag het apparaat niet gebruikt worden en moet contact worden opgenomen met gekwalificeerd personeel.



WAARSCHUWING

De leiding voor de ventilatieopening moet worden voorzien in overeenstemming met de plaatselijke voorschriften en wetten.



WAARSCHUWING

Zorg voor een voldoende luchtinlaat.



OPGELET

Eventuele verticale oppervlakken van aangrenzend meubilair en de muur achter het apparaat moeten gemaakt zijn van hittebestendig materiaal, bestand tegen een temperatuur van 90°C.

DE KOOKPLAAT INSTALLEREN

KEUZE VAN DE INSTALLATIE-APPARATUUR

Zaag een uitsparing in het aanrecht met de afmetingen aangegeven op de Fig. 2. Ten behoeve van de installatie en het gebruik moet er rond het gat een oppervlak van minimaal 5 cm worden gehandhaafd.

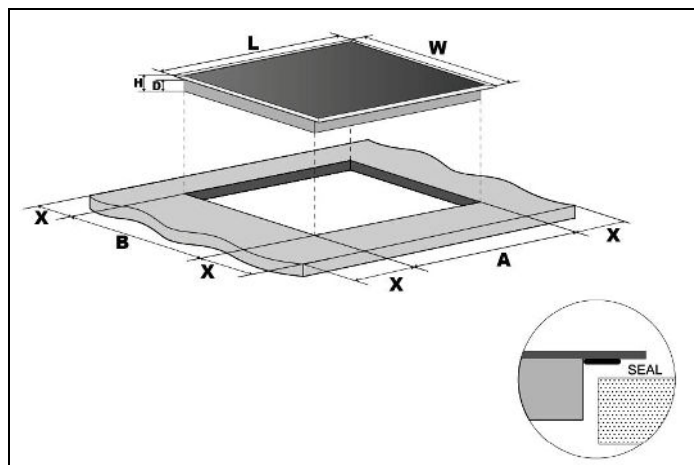


Fig. 2

L (MM)	W (MM)	H (MM)	D (MM)	A (MM)	B (MM)	X (MM)
590	520	60	56	560	480	50 MIN

De dikte van het aanrecht moet minimaal 30 mm bedragen. Kies een hittebestendig materiaal voor het aanrecht, om vervormingen door warmtestraling van de kookplaat te voorkomen.

Zorg er onder alle omstandigheden voor dat de kookplaat goed geventileerd wordt en dat de luchtinlaat en -uitlaat niet belemmerd worden. Zorg ervoor dat de kookplaat in goede staat van werking verkeert.

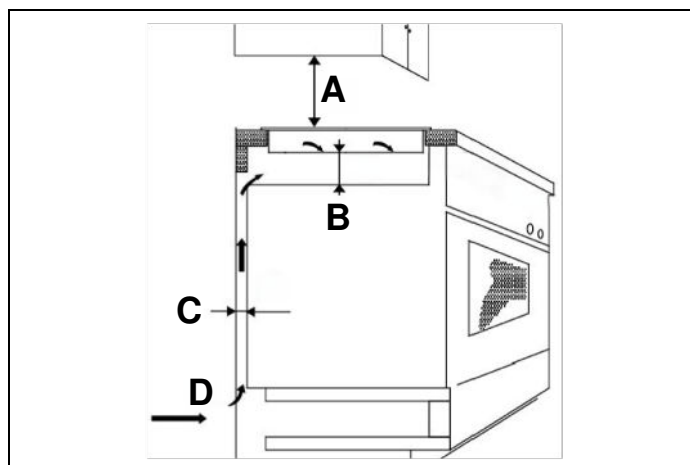


Fig. 3

A(MM)	B(MM)	C(MM)	D
650	20 MIN	20 MIN	Luchtinlaat



OPMERKING

De veiligheidsafstand tussen de kookplaat en het kastje erboven moet ten minste 650 mm bedragen.

ZORG ER VOORAFGAAND AAN DE INSTALLATIE VAN DE KOOKPLAAT VOOR:

- Het aanrecht recht en vlak is en dat de vereiste ruimte niet gehinderd wordt door structurele elementen.
- Het aanrecht gemaakt is van hittebestendig materiaal.
- Als de kookplaat boven een oven wordt geïnstalleerd, moet de oven een ingebouwde koelventilator hebben.
- De installatie moet voldoen aan alle vereisten betreffende de vrije ruimte en aan de toepasselijke normen en voorschriften.
- Voorzie in de permanente bedrading een geschikte scheidingschakelaar voor volledige loskoppeling van het elektriciteitsnet, gemonteerd en geplaatst in overeenstemming met de plaatselijke regels en voorschriften inzake bedrading.
- De scheidingschakelaar moet van een goedgekeurd type zijn, met een afstand tussen de contacten van 3 mm (luchtspleet) op alle polen (of alle actieve [fase] geleiders als de lokale bedradingsregels deze variatie van de vereisten toestaan).
- De scheidingschakelaar moet na de installatie van de kookplaat gemakkelijk voor de klant bereikbaar zijn.
- Raadpleeg in geval van twijfel omtrent de installatie het plaatselijke bouw- en woningtoezicht en de plaatselijke regelgeving.
- Gebruik voor de wandoppervlakken rond de kookplaat hittebestendige afwerkingen die eenvoudig gereinigd kunnen worden (bijv. keramische tegels).

DE KOOKPLAAT INSTALLEREN

ZORG ER NA DE INSTALLATIE VAN DE KOOKPLAAT VOOR:

- Dat de voedingskabel niet bereikbaar is via kastdeuren of laden.
- Dat er voldoende frisse lucht van buiten door de kastjes stroomt naar de onderkant van de kookplaat.
- Dat, als de kookplaat boven een lade- of kastruimte wordt geïnstalleerd, er een thermische beveiligingsbarrière onder de onderkant van de kookplaat wordt aangebracht.
- De scheidingsschakelaar moet gemakkelijk bereikbaar zijn voor de klant.

INSTALLATIEPROCEDURE

- 1) Zaag met geschikt gereedschap in het aanrecht een uitsparing met de aangegeven afmetingen. Dicht de gezaagde rand van het aanrecht af met silicone of PTFE en laat dit drogen alvorens de kookplaat te monteren.

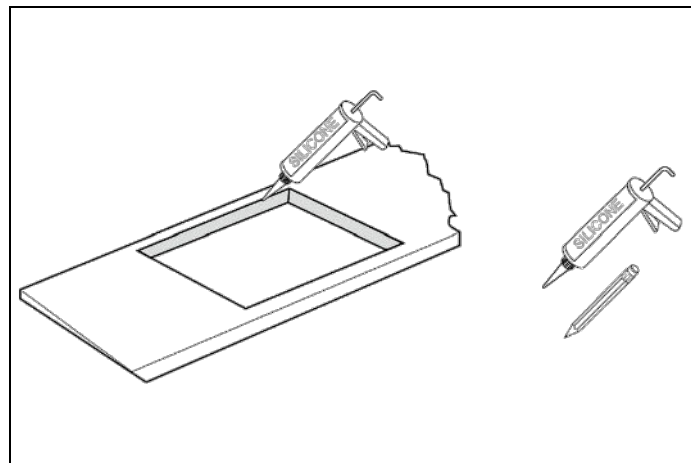


Fig. 4

- 2) Plaats de bijgeleverde afdichting langs de onderste rand van de kookplaat en zorg ervoor dat de uiteinden elkaar overlappen.

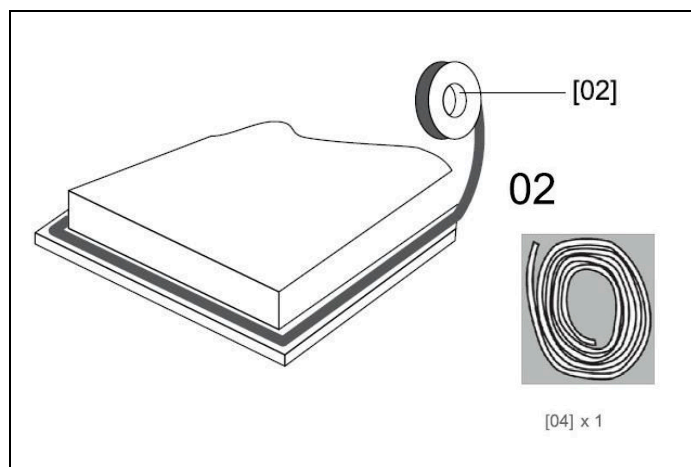


Fig. 5

DE KOOKPLAAT INSTALLEREN

- 3) Gebruik geen lijm om de kookplaat in het aanrecht te bevestigen. Plaats, na het aanbrengen van de afdichting, de kookplaat in de uitsparing in het aanrecht.

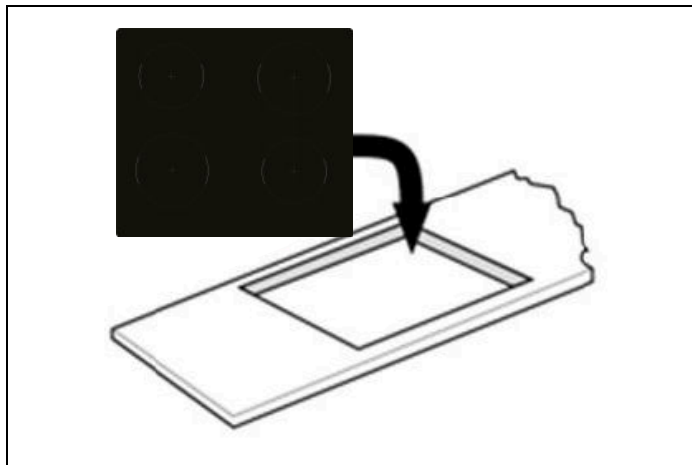


Fig. 6

- 4) Oefen een lichte neerwaartse druk uit op de kookplaat om hem in het aanrecht te duwen en een goede afdichting rond de buitenste rand te verzekeren.

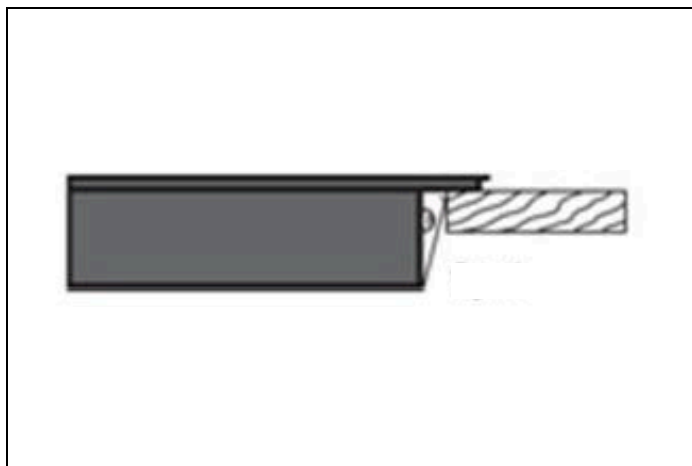
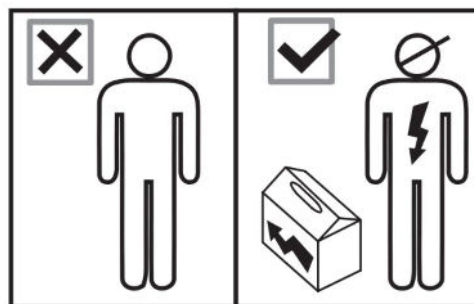


Fig. 7

OPGELET

- 1) De keramische kookplaat moet geïnstalleerd worden door gekwalificeerd personeel of technici. We hebben professionals die tot uw beschikking staan. Gelieve deze handeling nooit zelfstandig uit te voeren.
- 2) De kookplaat mag niet direct boven de vaatwasser, koelkast, vriezer, wasmachine of wasdroger geïnstalleerd worden omdat de elektronica van de kookplaat beschadigd kan raken door het vocht.
- 3) De keramische kookplaat moet zo geïnstalleerd worden dat er een optimale warmtestraling gegarandeerd wordt, om de betrouwbaarheid ervan te vergroten.
- 4) De muur en het aan de hitte blootgestelde oppervlak boven de kookplaat moeten hittebestendig zijn.
- 5) Om eventuele schade te voorkomen, moeten de laag sandwichpaneel en het klefmiddel hittebestendig zijn.

AANSLUITING VAN DE KOOKPLAAT OP DE NETVOEDING



Alle installatiewerkzaamheden moeten worden uitgevoerd door een vakbekwaam persoon of een gekwalificeerde elektricien. Controleer voorafgaand aan de aansluiting op de netvoeding of de spanning van het elektriciteitsnet overeenkomt met de spanning aangegeven op het typeplaatje in de afzuigkap van de kookplaat.



WAARSCHUWING

HET APPARAAT MOET GEAARD WORDEN.



OPGELET

Deze kookplaat mag alleen door een voldoende gekwalificeerde persoon worden aangesloten op de netvoeding.

Controleer, alvorens de kookplaat aan te sluiten op de netvoeding, dat:

- 1) Het bedradingsstelsel van de woning geschikt is voor het stroomverbruik van de kookplaat.
- 2) De spanning overeenkomt met de waarde aangegeven op het typeplaatje
- 3) De doorsnede van de voedingskabel bestand is tegen de belasting aangegeven op het typeplaatje.



OPGELET

Maak voor de aansluiting van de kookplaat op de netvoeding geen adapters, verloop- of verdeelstekkers, aangezien deze tot oververhitting en brand kunnen leiden.



OPGELET

De voedingskabel mag geen hete onderdelen raken en moet zo geplaatst worden dat de temperatuur op geen enkel punt hoger is dan 180°C.

Dit apparaat wordt geleverd met een 3-aderige netsnoer met de kleuren aangegeven op Fig. 8

DE KOOKPLAAT INSTALLEREN

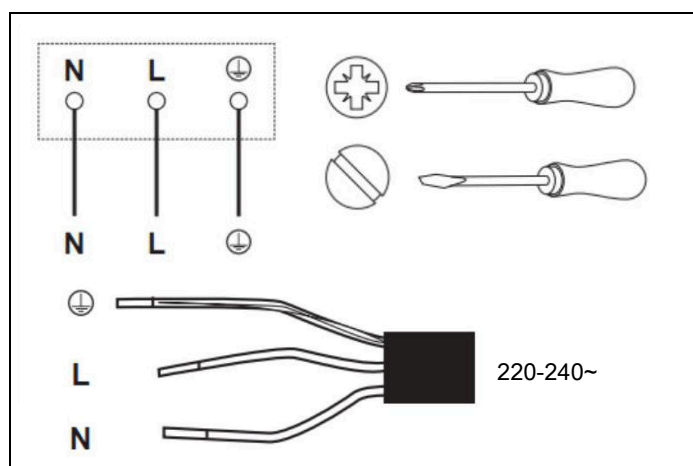



Fig. 8

- **L – Bruin:** Onder spanning
- **N – Blauw:** Nuldraad
-  – **Groen en geel:** Aarde

DIT APPARAAT VEREIST EEN MINIATUUR STROOMONDERBREKER VAN 32 AMPÈRE.

- Als de kabel beschadigd is of vervangen moet worden, moet dat worden gedaan door de aftersales-vertegenwoordiger met speciaal gereedschap, om ongelukken te voorkomen.
- Als het apparaat rechtstreeks op het elektriciteitsnet wordt aangesloten, installeer dan een meerpole stroomonderbreker met een minimale opening van 3 mm tussen de contacten.
- De installateur moet verzekeren dat de juiste elektrische aansluiting wordt gemaakt en dat deze voldoet aan de veiligheidsvoorschriften.
- De kabel mag niet worden verbogen of geplet.
- De kabel moet regelmatig gecontroleerd worden en mag alleen door erkende technici vervangen worden.

GEBRUIK

BELANGRIJKE WAARSCHUWINGEN VOOR DE GEBRUIKER



WAARSCHUWING

Plaats geen metalen voorwerpen zoals messen, vorken, lepels en deksels op het oppervlak van de kookplaat, want deze kunnen heet worden.



WAARSCHUWING

Schakel de elementen van de kookplaat na gebruik uit met de betreffende bedieningselementen; vertrouw niet op de pannensensor.



WAARSCHUWING

Bereikbare delen kunnen tijdens het gebruik heet worden. Houd kinderen uit de buurt van het apparaat.



WAARSCHUWING

Tijdens de kookprocessen moet toezicht worden gehouden. Een kort kookproces moet constant bewaakt worden.



WAARSCHUWING

Het apparaat wordt tijdens het gebruik heet. Vermijd om de verwarmingselementen in de oven aan te raken.



WAARSCHUWING

Het apparaat is niet bedoeld om te functioneren met een externe timer of een apart systeem voor afstandsbediening.



OPGELET

Gebruik geen schurende reinigingsproducten of scherpe metalen schrapers voor de reiniging van de ruit van de ovendeur: deze kunnen het oppervlak bekrassen en de ruit zou kunnen breken.

INDUCTIEKOOKPLAAT

LAY-OUT KOOKPLAAT

VERMOGEN VERWARMINGSZONE

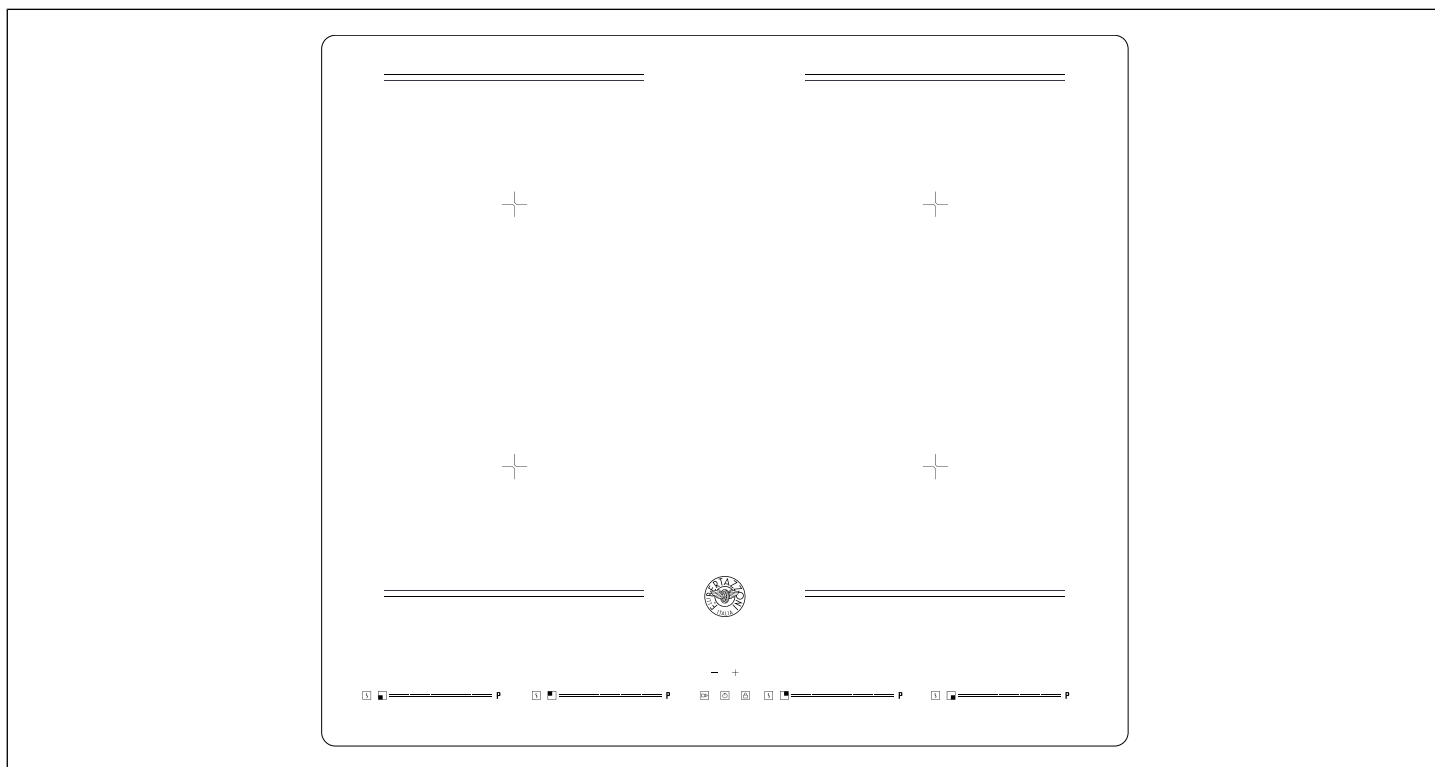






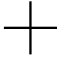

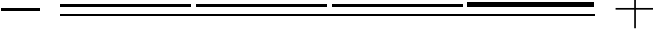





Fig. 9

KOOKZONE	WERKING NORMAAL VERMOGEN (W)	MET FUNCTIE BOOSTER (W)	MET FUNCTIE DUBBELE BOOSTER (W)	MET FUNCTIE BRIDGE (W)
 Linksvoor	2000	2600	2800	3000/3400/3600
 Linksachter	1500	1800	2000	
 Rechtsachter	1500	1800	2000	3000/3400/3600
 Rechtsvoor	2000	2600	2800	
VERWARMINGSZONE	NIVEAUS VERMOGENSBEGRENZING		TOTAAL NOMINAAL VERMOGEN	
Max.vermogen (220-240V~ 50/60Hz)	2800/4500/6000/7200W		7400W	

INDUCTIEKOOKPLAAT

GEBRUIKERSINTERFACE

	REFERENTIE	BESCHRIJVING
A		Zoneselectietoets
B		AAN/UIT-toets
C		Toets regeling timer (verlagen)
D		Toets regeling timer (verhogen)
E		Boost-toets
F		Toets regeling schuif Power Touch
G		Kinderslot
H		Functie koken
I		Functie pauze

INDUCTIEKOOKPLAAT

GEBRUIK VAN DE AANRAAKBEDIENING

- De bedieningselementen reageren op aanraking, u hoeft dus geen druk uit te oefenen.
- Gebruik de bal van uw vingertop, niet de punt.
- Telkens wanneer een aanraking wordt waargenomen, hoort u een pieptoon.
- Zorg ervoor dat de bedieningselementen altijd schoon en droog zijn en dat ze niet worden afgedekt door voorwerpen (keukengerei of doeken). Ook een dun laagje water maakt de bediening ervan moeilijk.

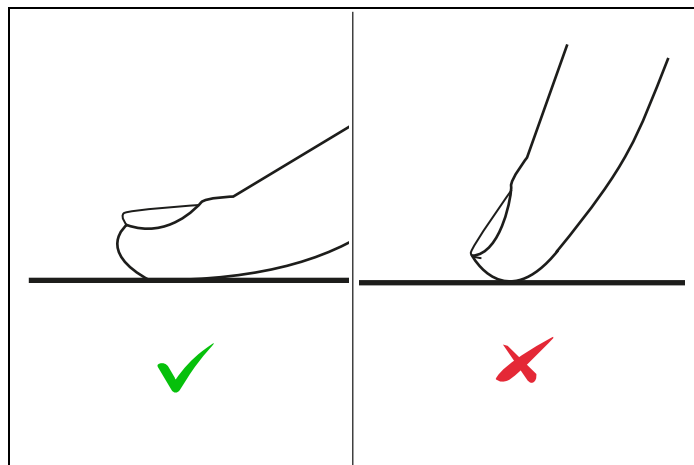


Fig. 10

DE JUISTE PANNEN KIEZEN

Gebruik geen pannen met gekartelde randen of een kromme bodem.

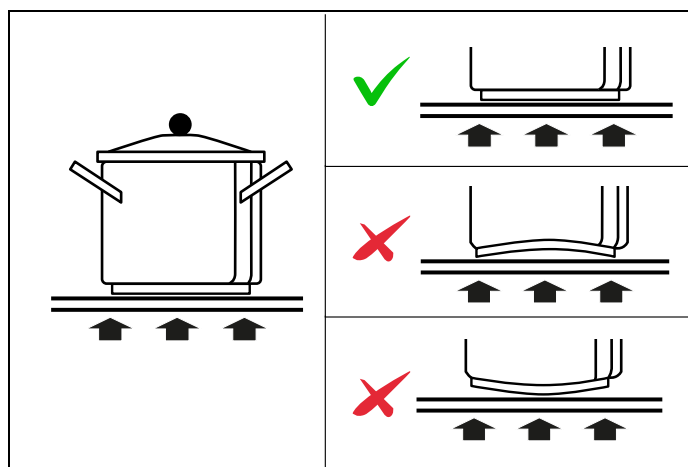


Fig. 11

De bodem van uw pan moet glad zijn, goed aansluiten tegen het glas en even groot zijn als de kookzone.

Gebruik pannen met dezelfde diameter als de grafische aanduiding van de geselecteerde zone. Als er een pan met een iets grotere diameter wordt gebruikt, wordt de energie maximaal efficiënt gebruikt. Bij kleinere pannen kan de efficiëntie lager zijn dan verwacht. Plaats uw pan altijd op het midden van de kookzone.

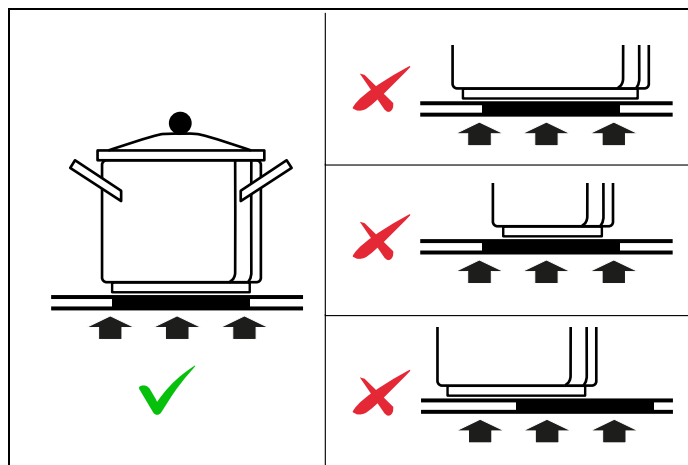


Fig. 12

Til pannen altijd op van de inductiekookplaat. Verschuif ze niet, want dat zou krassen op het glas kunnen veroorzaken.

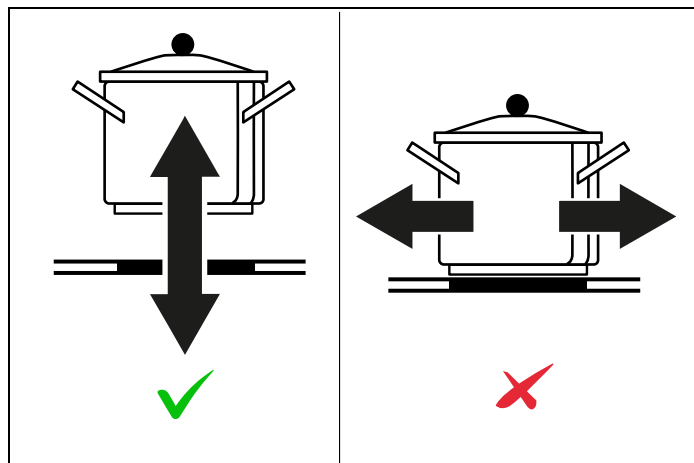


Fig. 13


De bodem van de pan moet van ijzer of staal/ijzer zijn om het voor het verwarmingsproces noodzakelijke magnetische veld te genereren.



OPMERKING

Pannen van de volgende materialen zijn niet geschikt:

- glas
- porselein
- aardewerk
- staal, aluminium of koper zonder magnetische bodem.

Om te controleren of een pan geschikt is: vul de pan met een beetje water, plaats hem op een kookzone en schakel de zone in. Indien  op het display verschijnt, in plaats van het vermogen, is de pan niet geschikt.

Zorg ervoor dat het materiaal van de pan geschikt is voor inductie. Plaats, om het materiaal te controleren, een magneet tegen de bodem van de pan: als hij wordt aangetrokken, is de pan geschikt voor inductie.

UW INDUCTIEKOOKPLAAT GEBRUIKEN

BEGINNEN MET KOKEN

- 1) Plaats een geschikte pan op de kookzone die u wenst te gebruiken. Zorg ervoor dat de bodem van de pan en het oppervlak van de kookzone schoon en droog zijn.

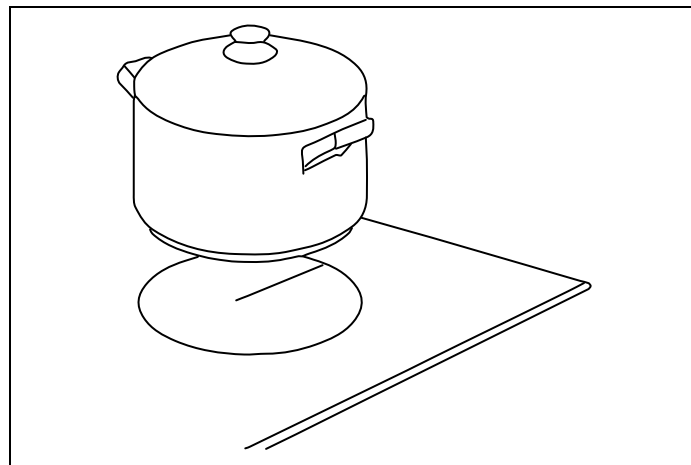


Fig. 14

- 2) Raak de AAN/UIT-knop aan

Na de inschakeling klinkt de zoemer eenmaal, alle displays tonen " 8 " om aan te geven dat de kookplaat geactiveerd is in de stand-bymodus.

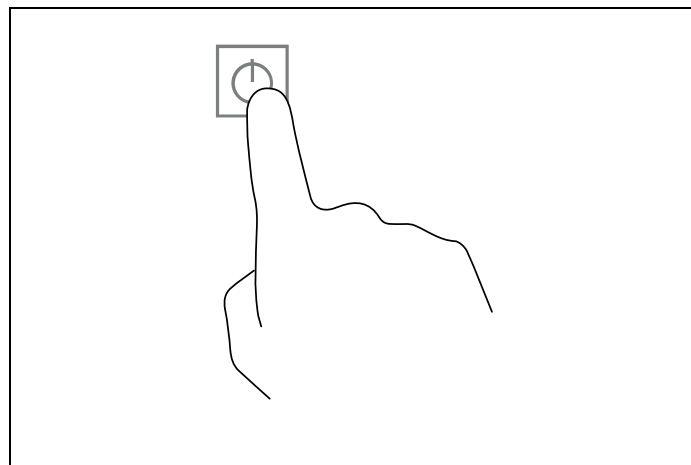


Fig. 15

INDUCTIEKOOKPLAAT

- 3) Afhankelijk van de verwarmingszone waarop de pan is geplaatst moet de warmte-instelling worden aangepast met de schuiftoets.

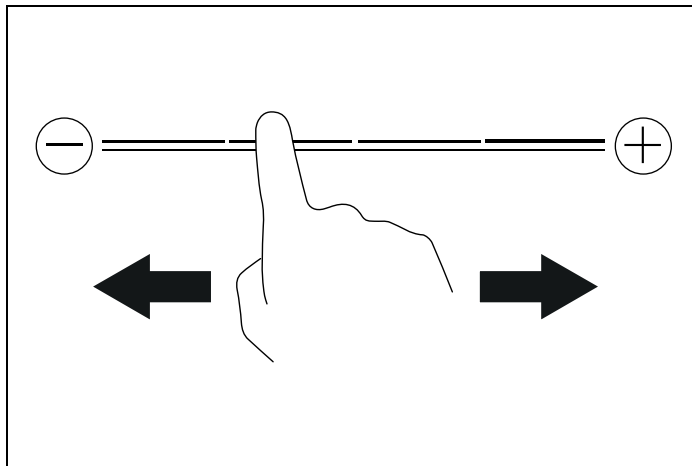


Fig. 16

- Als u niet binnen 20 seconden een warmte-instelling kiest, wordt de inductiekookplaat automatisch uitgeschakeld. In dit geval moet u weer beginnen bij stap 2.
- U kunt de warmtestand tijdens het koken op elk gewenst moment veranderen.

GEBRUIK VAN DE FUNCTIE KINDERSLOT

- U kunt de bedieningselementen vergrendelen om onbedoeld gebruik te voorkomen (bijvoorbeeld kookzones die per ongeluk worden ingeschakeld door kinderen).
- Als de bedieningselementen zijn vergrendeld, zijn alle bedieningselementen behalve de UIT-knop gedeactiveerd.

VERGRENDING VAN DE BEDIENINGSELEMENTEN

Raak de toets voor het kinderslot gedurende 3 seconden aan. De indicator boven de toets van het kinderslot brandt en de indicator van de timer geeft "Lo" aan.

ONTGRENDING VAN DE BEDIENINGSELEMENTEN

- 1) Zorg ervoor dat de inductiekookplaat is ingeschakeld.
- 2) Houd de toets voor de vergrendeling een tijdje ingedrukt.
- 3) Nu kunt u uw inductiekookplaat gebruiken.




OPMERKING

Bij kookplaat in de vergrendelde modus zijn alle bedieningselementen uitgeschakeld, met uitzondering van OFF: u kunt de kookplaat in noodgevallen altijd uitschakelen met de toets OFF, maar voor de volgende werking moet u de kookplaat altijd eerst ontgrendelen.

GEBRUIK VAN DE TIMER

- De timer kan zo worden ingesteld dat een kookzone na de ingestelde tijd wordt uitgeschakeld.
- U kunt de timer instellen op maximaal 99 minuten.


- 1) Selecteer de betreffende functionerende kookzone door de toets voor de selectie van de zone aan te raken.
- 2) Druk op " + " of " - ". De timerindicatoren geven 01 (door op + te drukken) of 00 (door op - te drukken) aan
- 3) Door middel van de toetsen " + " of " - " kunt u de tijd instellen tussen 1 en 99 minuten.
- 4) Wanneer de tijd is ingesteld, begint hij onmiddellijk af te tellen. De indicator zal na 10 seconden weer het vermogensniveau aangeven. De indicator van het vermogensniveau blijft altijd actief en het timersymbool  verschijnt.

- 5) Als u de resterende tijd wenst te controleren, kunt u de stappen 1 en 2 opnieuw uitvoeren.

- 6) Na het verstrijken van de tijd van de kooktimer zal de overeenkomstige kookzone automatisch worden uitgeschakeld. Andere kookzones blijven functioneren als ze eerder werden ingeschakeld.

GEBRUIK VAN DE FLEX-ZONE-FUNCTIE

Voor de activering van de functie Flex-zone:

- 1) Druk gelijktijdig ergens op de linker- en rechterkant van de schuifbalk. Bijvoorbeeld: druk op niveau 1 aan de linkerkant en op niveau 8 aan de rechterkant. Het symbool van de Flex-zone  verschijnt nu, om aan te geven dat de functie geactiveerd is.
- 2) Na het verschijnen van het pictogram Flex-zone zal het display automatisch naar niveau 5 overschakelen. Nadat niveau 5 wordt weergegeven, kunt u aanpassen naar het gewenste niveau door de schuifbalk aan te raken.
- 3) Als u de flex-zonefunctie wilt annuleren, druk dan tegelijkertijd op de schuifbalken van de linker en rechter zone. Deze zones worden dan teruggezet op nul.



GEBRUIK VAN ZONE BOOSTER & DUBBELE BOOSTER

- De functie booster / dubbele booster kan worden ingeschakeld door te drukken op de toets Booster
- Druk eenmaal op de toets Booster; het display toont **p** om aan te geven dat de kookplaat actief is in de modus booster. Druk, na de activering van de modus booster, nogmaals op de toets Booster; het display toont **b** om aan te geven dat de kookplaat actief is in de modus dubbele booster.

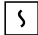
INDUCTIEKOOKPLAAT




GEBRUIK VAN DE FUNCTIE PAUZE & HERVATTEN

De functie pauze kan op elk moment tijdens de bereiding worden gebruikt. Hiermee kan de kookplaat worden gestopt en kan het koken worden hervat zonder dat de instellingen verloren gaan.

- 1) Zorg ervoor dat de kookzone is ingeschakeld.
- 2) Druk op de  toets. De indicatoren van de kookzone tonen . De kookplaat wordt uitgeschakeld, met uitzondering van de toetsen Pauze&Hervatten, AAN/UIT en Kinderslot. .
- 3) Om de pauze te annuleren, druk opnieuw op de knop Pauze & Hervatten; de indicatoren beginnen te knipperen. Druk daarna binnen 10 seconden op een willekeurige knop (anders dan de knop Pauze & Hervatten) om de werking van de zones weer te activeren.

GEBRUIK VAN DE KOOKFUNCTIE

Raak de toets voor de selectie van de gewenste kookzone aan en druk dan op . De indicator van de kookzones zal voor elke kookfunctie een van de onderstaande pictogrammen tonen:

-  Smelten of ontdooien (ongeveer 50°C)
-  Verwarmen of warm houden (ongeveer 70°C)
-  Sudder, temperatuur dicht bij het kookpunt, handig voor langzaam koken

SPECIALE FUNCTIES

BEVEILIGING TEGEN OVERVERHITTING

De temperatuur van de kookzones wordt gecontroleerd door een sensor. Als de temperatuur een veiligheidsniveau overschrijdt, wordt de kookzone automatisch uitgeschakeld.

INDICATOR RESTWARMTE










Wanneer de kookplaat enige tijd heeft gefunctioneerd, zal er sprake zijn van restwarmte. De letter **H** wordt weergegeven om te waarschuwen dat het oppervlak te heet is om het aan te raken.

AUTOMATISCHE PANDETECTIE

Als de pan op de gewenste kookzone wordt geplaatst, licht de overeenkomende vermogensindicator automatisch op.

VERMOGENSBEGRENIJING

De vermogensbegrenzingsfunctie past de stroomopname van het apparaat aan aan de elektrische voeding die in huis beschikbaar is. Doe het volgende om de functie te activeren:

- 1) Druk  3 seconden in. Op het display verschijnt -:
- 2) Druk tegelijkertijd op de toets van de bereidingsfunctie  van de verwarmingszone linksachter en op . Op het display verschijnt 
- 3) Druk op . Op het display staat nu 
- 4) Druk tegelijkertijd op de toets van de bereidingsfunctie  van de verwarmingszone linksachter en op . Het display geeft de huidige instellingswaarden van het maximale vermogen weer, 28/45/60/72".
- 5) Druk op de toetsen "-" of "+", om het gewenste vermogen te veranderen en te resetten op 9000 W / 3500 W / 2800 W.
- 6) Druk op  om de instelling op te slaan en deze modus te sluiten.

INDUCTIEKOOKPLAAT

BEVEILIGING AUTOMATISCHE UITSCHAKELING

Automatische uitschakeling is een beveiligingsfunctie voor uw inductiekookplaat. De kookplaat zal automatisch uitschakelen als u na het koken vergeet hem uit te schakelen. De standaardwerktijden voor verschillende vermogensniveaus staan vermeld in de onderstaande tabel:

VERMOGENSNIVEAU	STANDAARD TIMER WERKING (MIN)
1-3	360
4-6	180
7-8	120
9	90



OPMERKING

Beveiliging tegen onbedoelde bediening.

Als de elektronische besturing detecteert dat een toets gedurende ongeveer 10 seconden ingedrukt wordt gehouden, wordt er automatisch uitgeschakeld. De besturing geeft een akoestisch alarm om te waarschuwen dat de sensoren de aanwezigheid van een voorwerp hebben gedetecteerd. Het display toont de foutcode **ER03**. Als de kookplaat nog heet is, zullen de weergave **H** en **0** afwisselend knipperen.

VERZORGING EN ONDERHOUD



WAARSCHUWING

Koppel altijd de stroomvoorziening los voordat er onderhoudswerkzaamheden worden uitgevoerd. Neem in geval van storingen contact op met de klantenservice.



WAARSCHUWING

Koppel het apparaat altijd los van het elektriciteitsnet alvorens het te reinigen.



WAARSCHUWING

Gebruik voor de reiniging geen stoomreinigers.



Beschadigde voedingskabels moeten vervangen worden door een vakbekwaam persoon of een gekwalificeerde elektricien.



Alleen voor huishoudelijk gebruik.



Plaats nooit een lege pan op de kookplaat: dit zal een foutmelding op het bedieningspaneel tot gevolg hebben.



Als een kookzone gedurende lange tijd ingeschakeld is gebleven, zal het oppervlak ervan nog enige tijd heet blijven: raak het keramische oppervlak dus niet aan.



Voedsel in hermetisch afgesloten houders mag pas verwarmd worden na de opening van de deksel, om het gevaar op explosie door de door de verwarming veroorzaakte uitzetting te voorkomen.



Als het oppervlak van de inductiekookplaat gebarsten is, schakel het apparaat dan uit om het risico op elektrische schokken te voorkomen.



Plaats geen pannen met een ruwe of ongelijke bodem op de kookplaat: deze kunnen het keramische oppervlak beschadigen.



Vermijd om de pannen en potten hard op de kookplaat te plaatsen. Het keramische oppervlak is sterk, maar niet onbreekbaar.



Plaats onder de kookplaat geen reinigingsmiddelen of ontvlambare materialen.

INDUCTIEKOOKPLAAT

Voordat u de kookplaat reinigt, moet hij afkoelen, tot het waarschuwingslampje warmte uit gaat.

Gebruik geen schurende pasta's of poeders of metaalsponsjes. Al het water, voedselresten en reinigingsmiddelen moeten verwijderd worden alvorens de kookplaat weer te gebruiken.

Verwijder licht vuil met een zachte, in water gedompelde doek en een reinigingsmiddel en poets dan met een microvezeldoek.

Gebruik voor hardnekkige vlekken een specifiek product en volg de gebruiksaanwijzing van de fabrikant.

In geval er zeer suikerhoudende producten worden gemorst (zoal jam), of als plastic of metalen per ongeluk op het oppervlak smelten, schakel de kookplaat dan uit en verwijder het vuil onmiddellijk: let goed op omdat de kookplaat en het vuil zeer heet zullen zijn.

GLAS

Reinig met een zachte, in water gedrenkte doek en een vloeibaar reinigingsmiddel. Droog af met een microvezeldoek.

Hardnekkig vuil verwijderd worden met een reinigingsmiddel in crème. Gebruik geen scherpe voorwerpen omdat ze het glas kunnen krassen.

VERZORGING EN ONDERHOUD

REINHEID VAN HET APPARAAT



OPGELET

Vermijd om te wrijven met schurende stoffen of met de bodem van de pannen, enz. aangezien dit zal leiden tot de slijtage van de grafische elementen op de kookplaat.



OPGELET

Reinig de inductiekookplaat regelmatig om ophoping van voedselresten te voorkomen.

- Het apparaat moet na gebruik gereinigd worden.
- Het oppervlak van de inductiekookplaat kan gemakkelijk gereinigd worden, zoals aangegeven in de onderstaande tabel.

Verwijder eventuele stukjes aluminiumfolie, gemorst voedsel, vetspatten, suikervlekken en ander zeer suikerhoudend voedsel onmiddellijk door middel van een schraper van het oppervlak om beschadiging van de kookplaat te voorkomen. Reinig het oppervlak vervolgens met een doek en een geschikt product, spoel na met water en droog af met een schone doek. Gebruik in geen geval schurende sponzen of doeken en vermijd ook het gebruik van agressieve chemische reinigingsmiddelen zoals ovensprays en vlekverwijderaars.

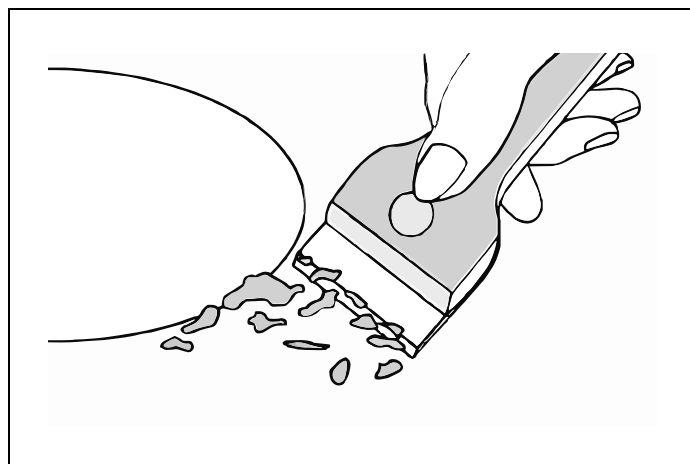


Fig. 17

TYPE VUIJL	REINIGINGSMETHODE	REINIGINGSMATERIALEN
Kalkaanslag	Breng witte azijn aan op het oppervlak en veeg dit dan weg met een zachte doek	Speciale keramische kookplaatreiniger
Aangebrande vlekken	Reinig met een vochtige doek en droog af met een zachte doek	Speciale keramische kookplaatreiniger
Lichte vlekken	Reinig met een vochtige doek en droog af met een zachte doek	Schoonmaakspoon
Gesmolten plastic	Gebruik een voor keramisch glas geschikte schraper om de resten te verwijderen	Speciale keramische kookplaatreiniger

PROBLEMEN OPLOSSEN

Controleer, voordat u de klantenservice belt, of het apparaat correct is aangesloten; de volgende gevallen worden niet door de garantie gedekt

- Schade door oneigenlijk gebruik, opslag of onderhoud.
- Schade door demontage en reparatie zonder toestemming.
- Schade door onjuist gebruik.
- Gebruik van de inductiekookplaat voor commerciële doeleinden.

Als er zich een storing voordoet, gaat de inductiekookplaat automatisch over naar een beschermende status en worden de in de onderstaande tabel aangegeven foutcodes weergegeven.



OPGELET

Demonteer het apparaat niet zelf, om gevaren en schade aan de inductiekookplaat te voorkomen. Gelieve voor eventuele bijstand contact op te nemen met de leverancier.

FOUTCODE	MOGELIJKE OORZAAK	WAT TE DOEN
<u>U</u>	Geen pan of pan niet geschikt;	Vervang de pan;
ER03	Water of pan op het glas van de bedieningselementen	Reinig de gebruikersinterface
F1E	De verbinding tussen de kaart van het display en het linker moederbord is defect (de kookzone waarvoor de indicator E aangeeft)	1) Verbindingskabel niet goed aangesloten of defect; 2) Vervang het moederbord.
F3E	Defecte spoeltemperatuursensor. (in de kookzone waarvoor de indicator E aangeeft)	Vervang de spoelsensor
F4E	Defecte moederbordtemperatuursensor. (in de kookzone waarvoor de indicator "E" aangeeft)	Vervang het moederbord
E1E	Temperatuursensor van de keramische glasplaat neemt een hoge temperatuur waar	Start opnieuw op nadat de inductiekookplaat is afgekoeld.
E2 E	Temperatuursensor van de IGBT neemt een hoge temperatuur waar	Start opnieuw op nadat de inductiekookplaat is afgekoeld.
E3 E	Abnormale voedingsspanning (te hoog)	Controleer of de stroomvoorziening normaal is; schakel in als de stroomvoorziening normaal is.
E4 E	Abnormale voedingsspanning (te laag)	Controleer of de stroomvoorziening normaal is; schakel in als de stroomvoorziening normaal is.
E5 E	Storing temperatuursensor (in de kookzone waarvoor de indicator E aangeeft)	Verbindingskabel niet goed aangesloten of defect gemonteerd;

GARANTIE

GARANTIE EN SERVICE



Bertazzoni zet zich in om de klanten te voorzien van een service van de hoogste kwaliteit. In het onwaarschijnlijke geval dat u product een fabricagedefect vertoont, vragen we u contact op te nemen met ons serviceteam:

<https://nl.bertazzoni.com/zorg-en-service>

Er zal u gevraagd worden de informatie van het product, het aankoopbewijs, een foto van het zilverkleurige typeplaatje en een beschrijving van het probleem te verstrekken. Zorg ervoor dat u deze informatie bij de hand heeft.

FRÅN CHEFENS SKRIVBORD

Bäste ägare till en Bertazzoni-apparat,

Tack för att du har valt en av våra kvalitetsapparater till ditt hem.

Min familj har tillverkat spisar i Italien sedan 1882 och under vägen har vi skaffat oss ett grundmurat gott rykte för våra utmärkta tekniska produkter - något som fötts ur vår passion för god mat.

Våra produkter stoltserar idag med en exklusiv och typiskt italiensk design i absolut teknisk toppnivå. Vår mission är att tillverka hushållsapparater som fungerar perfekt och som skänker glädje åt den som använder dem.

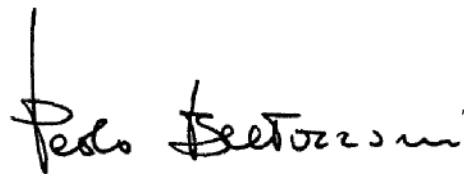
Vi svarar på våra kunders behov genom att tillverka produkter med mycket höga estetiska värden. Våra hushållsapparater är dessutom mångsidiga och lättanvända, så att laga mat med dem blir till ett rent nöje.

Denna handbok kommer att hjälpa dig att lära dig att ta hand om din Bertazzoniprodukt på allra bästa och säkraste vis, så att du kan få full tillfredsställelse då du använder den i många, många år.

Njut!

Paolo Bertazzoni

Verkställande Direktör



ANVÄNDARHANDBOKENS GILTIGHET

Handboken gäller endast för produktkoden P604I2M28NVS.

INNEHÅLL

ALLMÄN INFORMATION	105
ATT LÄSA HANDBOKEN	105
INTRODUKTION OCH SÄKERHETSANVISNINGAR	105
IDENTIFIERING AV APPARATEN	106
ALLMÄN SÄKERHETSINFORMATION	106
INSTALLATION	108
TEKNISK HANDBOK FÖR INSTALLATÖREN	108
INFORMATION FÖR INSTALLATÖREN	108
ATT INSTALLERA APPARATEN	108
ATT INSTALLERA HÄLLEN	109
VAL AV INSTALLATIONSUTRUSTNING	109
INSALLATIONSFÖRFARANDE	110
FÖRSIKTIGHETSÅTGÄRDER	110
ATT ANSLUTA SPISHÄLLEN TILL STRÖMFÖRANDE NÄT	111
ANVÄNDNING OCH UNDERHÅLL	112
ANVÄNDNING	112
VIKTIGA VARNINGAR FÖR ANVÄNDAREN	112
INDUKTIONSHÄLL	113
LAYOUT FÖR SPISHÄLL	113
ATT ANVÄNDA PEKREGLAGEN	115
ATT VÄLJA KORREKT KOKKÄRL	115
ATT ANVÄNDA DIN INDUKTIONSHÄLL	116
SPECIALFUNKTIONER	118
SKÖTSEL OCH UNDERHÅLL	120
INDUKTIONSHÄLL	120
GLAS	120
RENGÖRING AV APPARATEN	121
FELSÖKNING	122
GARANTI	123
GARANTI OCH SERVICE	123

ALLMÄN INFORMATION

ATT LÄSA HANDBOKEN

Dessa instruktioner är framtagna för flera olika typer av apparater, så de kan innehålla beskrivningar av funktioner som inte stöds av, eller finns på, din apparat.

Bilder och illustrationer i detta dokument refererar till olika modeller och kan variera en aning från den produkt du har köpt.

Tillverkaren ansvarar inte för personskada eller skador på egendom som beror på felaktig installation eller felaktig användning av apparaten.

Tillverkaren förbehåller sig rätten att modifiera de olika modellerna för att uppfylla gällande säkerhetsföreskrifter.

Vid eventuella klagomål, var vänlig kontakta kundservice.

INTRODUKTION OCH SÄKERHETSANVISNINGAR

Läs alla instruktioner i denna handbok, inklusive garantivillkoren, innan du installerar och/eller använder apparaten.

Detta kommer att hjälpa dig lära känna din nya apparat.

Förvara detta dokument nära till hands så att du kan läsa den då så krävs, och se till att den medföljer till eventuell ny ägare.

Läs säkerhetsmeddelandena som finns i introduktionen i denna handbok, och ponera speciellt säkerhetsanmärkningar som: "Observera", "Varning" och "Fara" som visas i texten.



FARA

Denna symbol visar på en situation som kan vara en fara för dig och för andra personer. Läs texten noggrant och se till att du har förstått exakt vad som kan utgöra orsak till eventuell fara eller olycka med dödlig utgång.



VARNING

Denna symbol visar säkerhetsinformation. Läs texten noggrant och se till att du har förstått exakt vad som kan utgöra orsak till eventuellt farlig olycka.



OBSERVERA

Denna symbol visar på en procedur som kan äventyra apparatens stomme eller komponenter. Var speciellt försiktig med dessa procedurer.



ANMÄRKNING

Denna symbol visar på goda råd och drar din uppmärksamhet till korrekta procedurer och användarpraxis. Att följa instruktioner märkta med denna symbol gör att du undviker problem.

Symbolen markerar metoder eller procedurer för korrekt användning av apparaten.

IDENTIFIERING AV APPARATEN

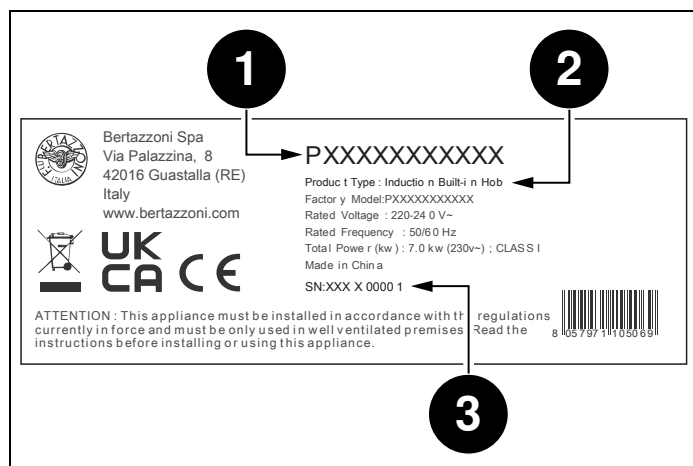


Fig. 1

Märkplattan innehåller följande information:

- 1) Försäljningskod
- 2) Modell
- 3) Serienummer

ALLMÄN SÄKERHETSINFORMATION

Denna apparat överensstämmer med EU-direktiv 2012/19/EU (RoHS).



Denna apparat är märkt enligt EU-direktiv 2012/19/EU beträffande elektriskt och elektroniskt avfall (Waste Electrical and Electronic Equipment, WEEE).

Detta direktiv innehåller regler för insamling och återvinning av skrotade apparater över hela den europeiska unionens territorium.



Symbolen med en överkryssad soptunna finns på produkten och betyder att avfall från elektrisk och elektronisk utrustning (WEEE) inte får slängas med vanligt hushållsavfall, utan måste omhändertas separat så att den kan genomgå specialbehandling för att kunna återanvändas eller specifik behandling för säkert avlägsnande av alla miljöförorenande ämnen, och även återanvändning av råmaterial som kan återvinnas.

Därför måste WEEE (elektroniskt och elektriskt avfall) alltid levereras till Återvinningscentraler som hanteras av kommunen eller av Avfallshanteringsföretag. Dessutom, när en ny apparat inhandlas kan WEEE-apparaten återlämnas till återförsäljaren som är skyldig att ta tillbaka den gratis ("1:1" take-back). "Mycket små" WEEE (där inget mått överstiger 25 cm) kan återlämnas till försäljaren gratis även då inget inköp sker ("1:0" take-back – men denna skyldighet att ta emot gäller endast för försäljningsplatser med över 400 m² yta).



FARA

Denna apparat är inte avsedd att användas av personer, inklusive barn, med reducerad mental eller fysisk förmåga eller som har bristande erfarenhet och kunskap om apparatens användande. Dessa personer får endast använda apparaten under uppsyn av en person som ansvarar för deras säkerhet och efter adekvat vägledning angående apparatens användning.



FARA

Om ytan på induktionshällen är sprucken, stäng av apparaten för att undvika risken för elektriska stötar.

ALLMÄN INFORMATION



FARA

Brandrisk: Förvara inga lättantändliga föremål på tillagningstorna.



FARA

Automatisk tillagning på induktionshällen med fett och olja kan vara farlig och kan förorsaka brandsvåda. Om en brandsvåda uppstår försök inte släcka den med hjälp av vatten. Stäng av apparaten och täck över eldslågan med ett lock eller en brandfilt.



FARA

Denna apparat får användas av barn över 8 års ålder, och av personer med nedsatt fysisk, känslomässig och mental förmåga, såväl som av personer helt utan erfarenhet och kunskap, under förutsättning att de är under uppsyn eller får instruktioner angående säker användning av apparaten och förstår de faror som kan uppstå. Barn får inte leka med apparaten. Rengöring och underhåll får inte utföras av barn utan uppsyn.



VARNING

Apparaten och dess åtkomliga delar blir mycket heta under användning. Vidrör aldrig apparatens uppvärmningselement. Barn under 16 år måste hållas borta från apparaten såvida de inte är under konstant uppsyn.

Vidrör aldrig induktionshällens uppvärmningselement och/eller inuti ugnen.



VARNING

Apparatens tillgängliga delar kan bli mycket heta under användning. Barn måste hållas på avstånd.



VARNING

Se till att apparaten är skild från strömförande nät innan du byter ut lampan, detta för att undvika eventuell elchock.



VARNING

Använd inte ångtvätt för att rengöra apparaten.



VARNING

Använd inte en extern timer eller ett fjärrstyrningssystem för att använda apparaten.

INFORMATION FÖR INSTALLATÖREN

Nedan listade procedurer för installation, justering, konversion och underhåll får endast utföras av kvalificerad personal i enlighet med nuvarande regelverk.



FARA

Felaktig installation kan förorsaka skada på person och husdjur, och på egendom – för vilka tillverkaren inte kan hållas ansvarig.

Under systemets livslängd får apparatens säkerhets- och automatiska justeringsanordningar endast ändras av tillverkaren eller dess auktoriserade installatör.

ATT INSTALLERA APPARATEN



ANMÄRKNING

Avlägsna alla delar av emballagematerialet från apparaten och omhänderta dem korrekt.



ANMÄRKNING

Avlägsna allt emballage och skyddsfilm före installation.



FARA

Håll alla delar av emballagematerialet (expanderad polystyren, plastpåsar, kartonglåda, spikar) utom räckhåll för barn, eftersom de är farliga.



FARA

Innan installation påbörjas, se till att apparaten är intakt efter att alla inre och yttre emballagematerial har avlägsnats från de olika rörliga delarna. Vid tvekan, använd inte apparaten och kontakta kvalificerad personal.



VARNING

Luftventilens rör måste konstrueras enligt gängse regionala säkerhetsföreskrifter och lagar.



VARNING

Tillräckligt luftintag måste kunna garanteras.



OBSERVERA

Alla vertikala ytor på närliggande enheter och väggen bakom produkten måste vara tillverkade av värmebeständiga material som kan stå emot en temperatur på 90 °C.

ATT INSTALLERA HÄLLEN

VAL AV INSTALLATIONSUTRUSTNING

Skär ut arbetsbänken enligt de mått som anges i Fig. 2 . För installation och användning ska det finnas minst 5 cm sparade runt hålet.

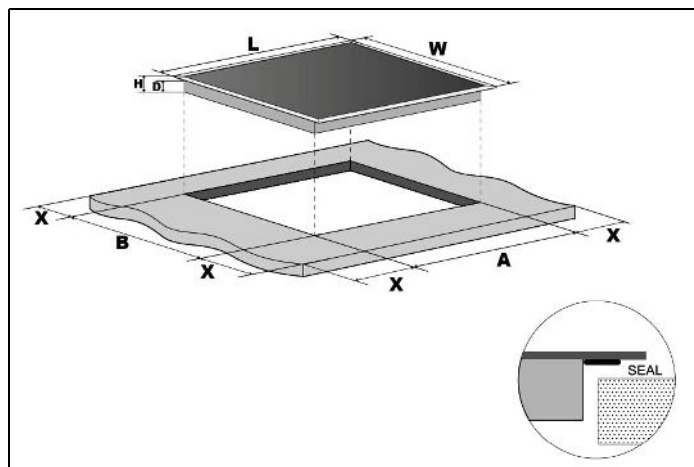


Fig. 2

L (MM)	B (MM)	H (MM)	D (MM)	A (MM)	B (MM)	X (MM)
590	520	60	56	560	480	50 MIN

Se till att arbetsbänkens tjocklek är minst 30 mm. Välj värmebeständiga material för arbetsbänken för att undvika deformation på grund av värmestrålning från hällen.

Under alla omständigheter, se till att spishällen är väl ventilerad och att luftintaget och luftutloppet inte är blockerade. Se till att spishällen är i gott arbetsskick.

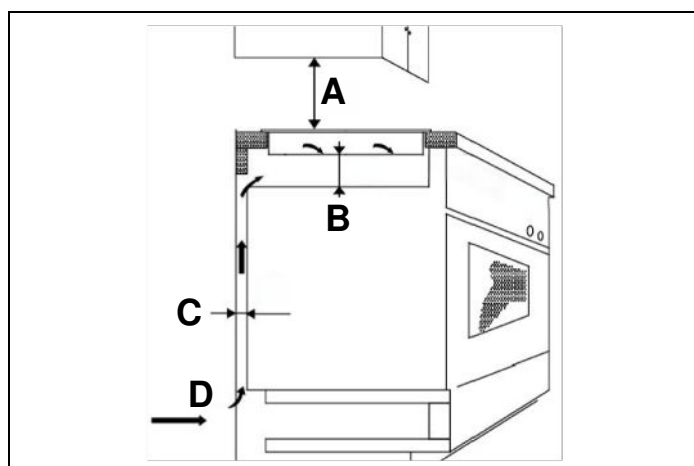


Fig. 3

A (MM)	B (MM)	C (MM)	D
650	20 MIN	20 MIN	Luftintag



ANMÄRKNING

Säkerhetsavståndet mellan spishällen och skåpet ovanför hällen måste vara minst 650 mm.

INNAN DU INSTALLERAR SPISHÄLLEN, SE TILL ATT

- Arbetsbänken är rätvinklig och plan, och att inga konstruktionselement stör utrymmeskraven.
- Arbetsbänken är tillverkad av ett värmebeständigt material.
- Ugnen har en inbyggd kylfläkt om spishällen installeras över en ugn.
- Installationen följer alla frigångskrav samt tillämpliga föreskrifter och bestämmelser.
- En lämplig strömfrånskiljare som ger fullständig fränkoppling från elnätet ingår i den permanenta ledningsdragningen, och installeras och placeras enligt lokala regler och bestämmelser om ledningsdragning.
- Strömfrånskiljaren måste vara av en godkänd typ och ha 3 mm kontaktavstånd (luftgap) i alla poler (eller alla aktiva [fas] ledare om de lokala bestämmelserna medger denna variation i kraven).
- Strömfrånskiljaren ska vara lättillgänglig för kunden där spishällen är installerad.
- Du rådfrågar de lokala byggnadsmyndigheterna och gällande stadgar om du är osäker beträffande installationen.
- Du använder en värmebeständig ytfinish som är enkel att rengöra (t.ex. keramiska plattor) för väggytorna som omger hällen.

NÄR DU HAR INSTALLERAT SPISHÄLLEN, SE TILL ATT

- Strömkabeln inte går att komma åt via skåpdörrar eller lådor.
- Det finns ett tillräckligt flöde av frisk luft från skåpens utsida till hällens bas.
- Om hällen installeras ovanför en låda eller ett skåputrymme, ska ett värmeskydd installeras under hällens bas.
- Strömfrånskiljaren ska vara lättillgänglig för kunden.

ATT INSTALLERA HÄLLEN

INSALLATIONSFÖRFARANDE

- 1) Skär ut ett hål i arbetsbänken till den visade storleken med hjälp av passande utrustning. Försegla den skurna kanten på arbetsbänken med hjälp av silikon eller PTFE och låt det torka innan du placerar spishällen i hålet.

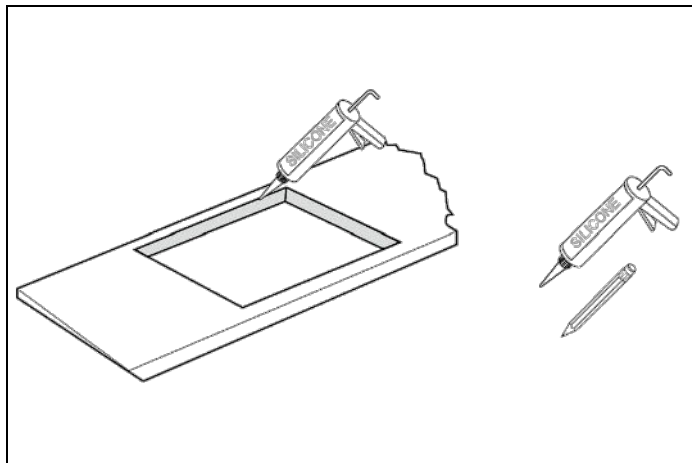


Fig. 4

- 2) Dra den medföljande tätningen längs hällens underkant, och se till att ändarna överlappar.

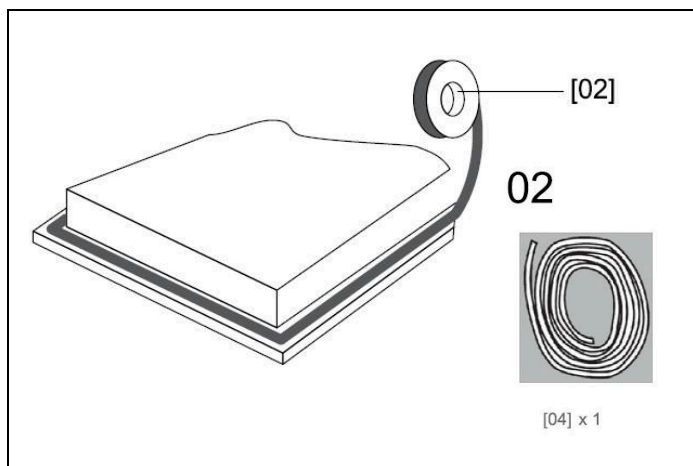


Fig. 5

- 3) Använd inte lim för att fixera hällen i arbetsbänken. När tätningen har placerats, placera spishällen i hålet i arbetsbänken.

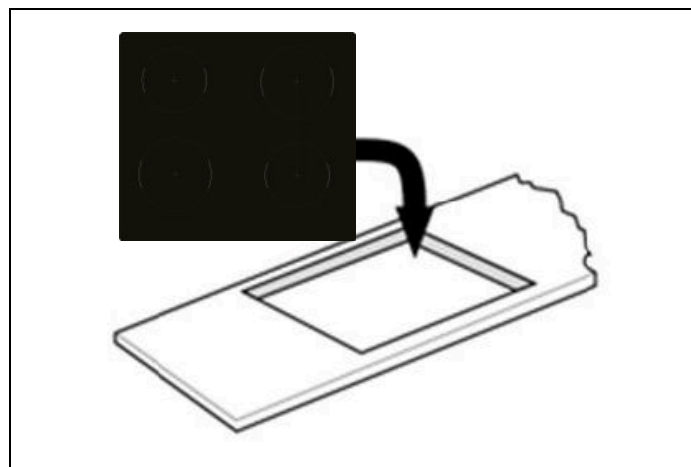


Fig. 6

- 4) Tryck lätt nedåt på spishällen för att trycka in den i arbetsbänken och säkerställa en god tätning runt den yttre kanten.

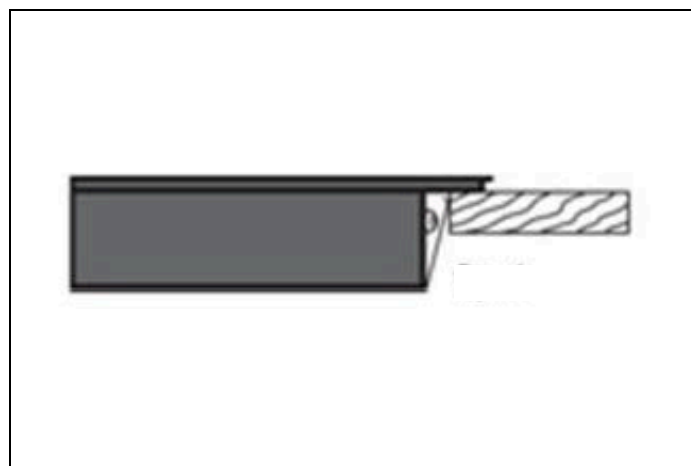


Fig. 7

FÖRSIKTIGHETSÅTGÄRDER

- 1) Glaskeramikhällen måste installeras av kvalificerad personal eller tekniker. Våra experter står till din tjänst. Utför aldrig denna åtgärd på egen hand.
- 2) Spishällen ska inte installeras direkt över en diskmaskin, kyl, frys, tvättmaskin eller torktumlare, eftersom fukten från dessa kan skada hällens elektronikdelar.
- 3) Glaskeramikhällen ska installeras så att bästa värmestrålning kan ske för att öka dess pålitlighet.
- 4) Väggen och induktionszonen ovanför arbetsbänken måste vara värmebeständig.
- 5) För att undvika eventuella skador måste sandwichskiktet och limmet vara värmebeständiga.

ATT INSTALLERA HÄLLEN

ATT ANSLUTA SPISHÄLLEN TILL STRÖMFÖRANDE NÄT

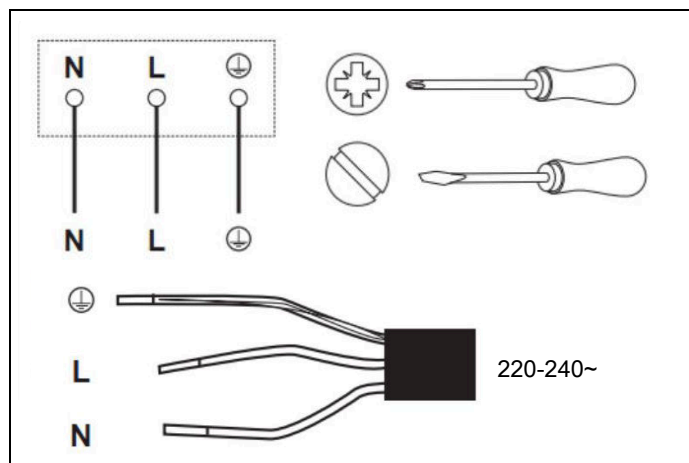
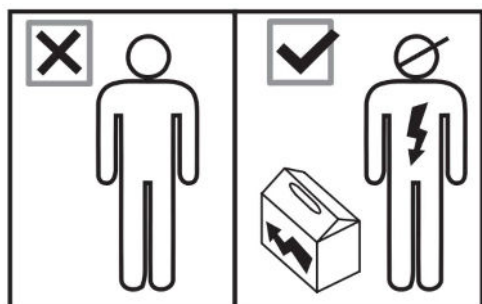


Fig. 8

Allt installationsarbete måste utföras av en kompetent person eller en kvalificerad elektriker. Innan apparaten ansluts ska du kontrollera att elnätets spänning överensstämmer med den spänning som står på märkplattan inuti spishällen.



VARNING

DENNA APPARAT MÅSTE JORDAS.



OBSERVERA

Denna apparat får endast anslutas till strömförande nät av en passande kvalificerad person.

Innan hällen ansluts till strömförande nät, kontrollera att:

- 1) Fastighetens kabelsystem är lämpat för den effekt som hällen kräver.
- 2) Nätspänningen matchar det värde som anges på märkplattan.
- 3) Strömkabelns tvärsnitt klarar den belastning som anges på märkplattan.



OBSERVERA


När hällen ansluts till strömförande nät, använd inte adaptrar, reducerstycken eller förgreningseinheter eftersom dessa kan orsaka överhettning och brand.



OBSERVERA

Strömkabeln får inte vidröra några heta delar och måste placeras så att dess temperatur inte kommer att överskrida 180 °C i någon punkt.

Apparaten levereras med en 3-polig strömkabel med färgerna enligt nedan Fig. 8

- **L – brun:** Strömförande
- **N – blå:** Nollledare
-  – **grön och gul:** Jord

DENNA APPARAT KRÄVER EN 32 A MINIATYRSTRÖMBRYTARE.

- Om strömkabeln är skadad eller behöver bytas ut måste detta utföras av en servicerepresentant med specialverktyg för att undvika olyckor.
- Om apparaten ansluts direkt till strömförande nät måste en flerpolig strömbrytare installeras – brytaren ska ha ett öppningsavstånd mellan kontakterna på minst 3 mm.
- Installatören måste säkerställa att den korrekta anslutningen har gjorts och att den följer gällande säkerhetsbestämmelser.
- Kabeln får inte vara böjd eller hoptryckt.
- Strömkabeln måste inspekteras regelbundet och får endast bytas ut av auktoriserad tekniker.

ANVÄNDNING

VIKTIGA VARNINGAR FÖR ANVÄNDAREN



VARNING

Placera inte metallföremål såsom knivar, gafflar, skedar eller lock på spishällens yta eftersom de kan bli heta.



VARNING

Efter användning, stäng av spishällens element med hjälp av reglagen, och lita inte enbart på kastrullavkännaren.



VARNING

Apparatens tillgängliga delar kan överhettas under användning. Håll alltid barn på säkert avstånd från apparaten.



VARNING

Tillagningen ska alltid övervakas. En kort tillagning ska alltid övervakas.



VARNING

Apparaten bli mycket het under användning. Undvik att röra vid värmeelementen i ugnen.



VARNING

Apparaten får inte startas med hjälp av en extern timer eller ett fjärrstyrningssystem.



OBSERVERA

Använd inte slipande rengöringsprodukter eller vassa metallskrapor för att rengöra ugnsluckans gläd, eftersom detta kan repa dess yta och glaset kan spricka.

INDUKTIONSHÄLL

LAYOUT FÖR SPISHÄLL

VÄRMEZONENS EFFEKT

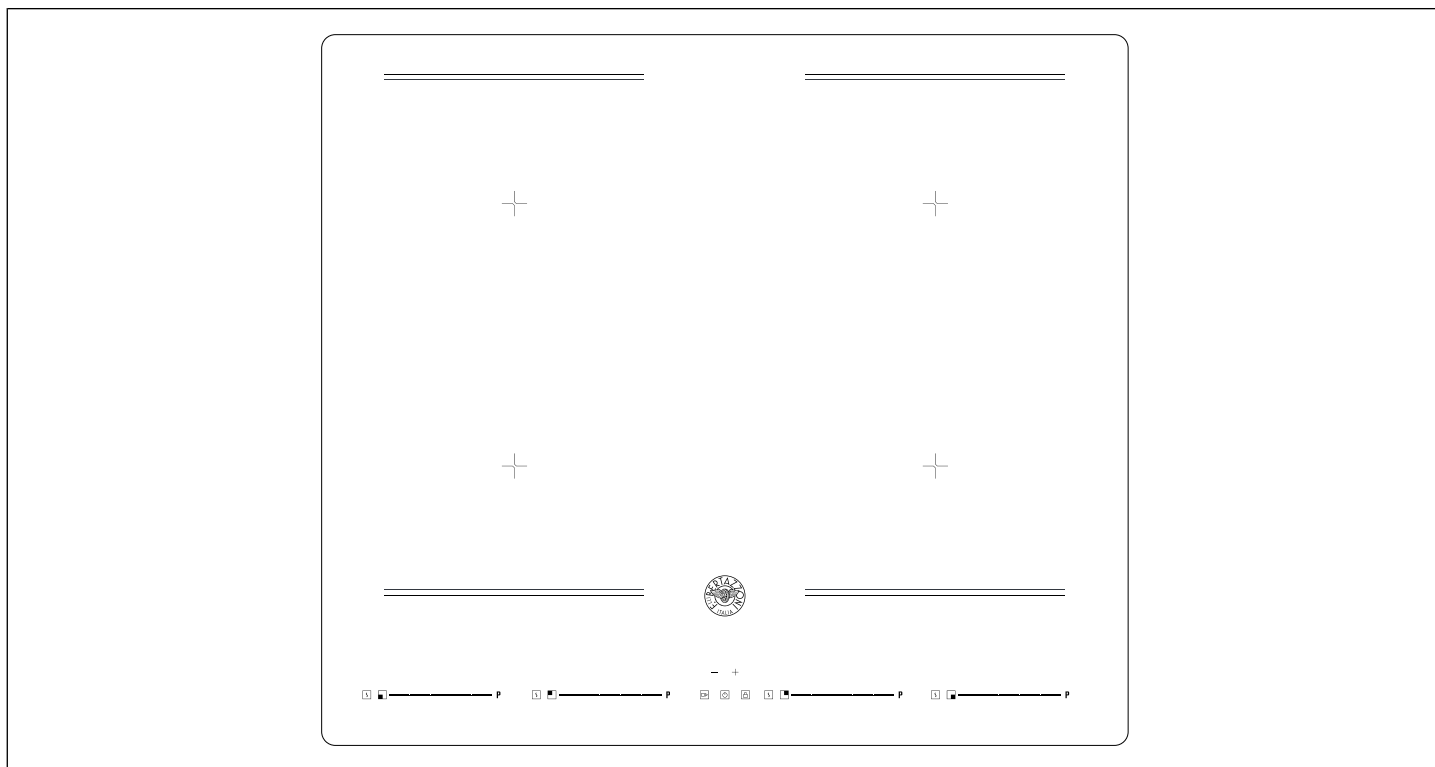







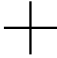

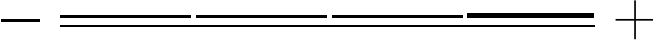





Fig. 9

KOKZON	NORMALEFFEKT-DRIFT (W)	MED BOOSTERFUNKTION (W)	MED DUBBEL BOOSTERFUNKTION (W)	MED BRIDGE-FUNKTION (W)
 Främre vänstra	2000	2600	2800	3000/3400/3600
 Bakre vänstra	1500	1800	2000	
 Bakre högra	1500	1800	2000	3000/3400/3600
 Främre högra	2000	2600	2800	
VÄRMEZON	EFFEKTBEGRÄNSNINGSNIVÅER		TOTAL NOMINELL EFFEKT	
Max. effekt (220-240V~ 50/60Hz)	2800/4500/6000/7200W		7400W	

INDUKTIONSHÄLL

ANVÄNDARGRÄNSSNITT

	REFERENS	BESKRIVNING
A		Knapp för val av zon
B		Strömbrytare (På/Av)
C		Knapp för timerinställning (minska)
D		Knapp för timerinställning (öka)
E		Knapp för Booststyrning
F		Knapp för reglering av power touch glidram
G		Barnlås
H		Tillagningsfunktion
I		Pausfunktion

INDUKTIONSHÄLL

ATT ANVÄNDA PEKREGLAGEN

- Reglagen svarar på beröring, så du behöver inte applicera något egentligt tryck.
- Använd fingerdynan, inte fingerspetsen.
- Du hör ett "beep" varje gång en beröring registreras.
- Se till att pekreglagen alltid är rena och torra och att det inte finns något som täcker dem (som ett verktyg eller en trasa). Även en tunn vattenyta kan göra att reglagen blir svåränvända.

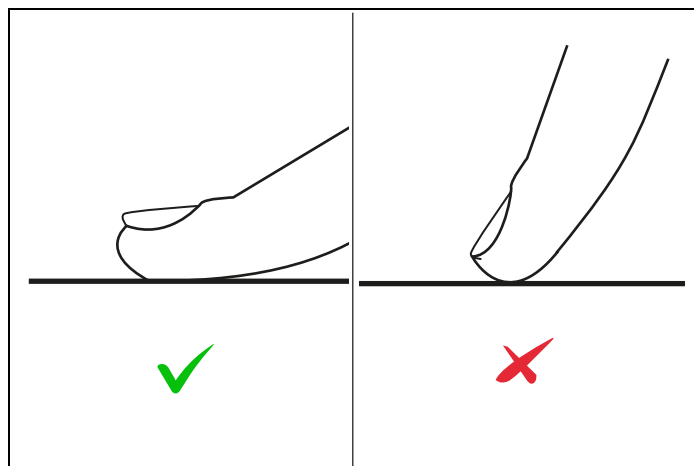


Fig. 10

ATT VÄLJA KORREKT KOKKÄRL

Använd inte kokkärl med tandade kanter eller en böjd bas.

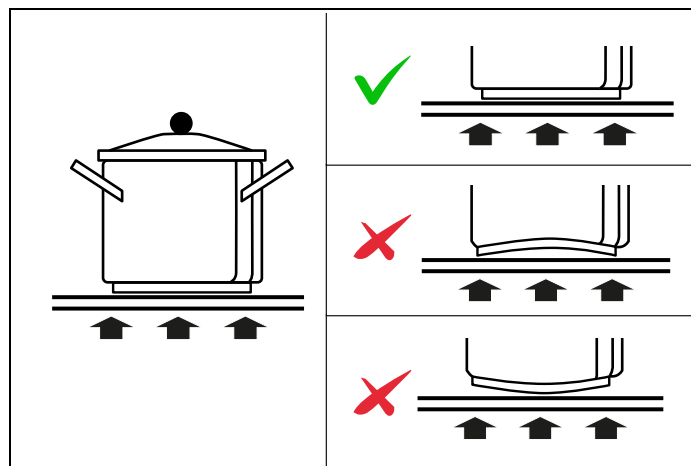


Fig. 11

Se till att kokkärls bas är jämn, ligger plant mot glaset och har samma storlek som kokzonen.

Använd kokkärl med samma diameter som grafiken på den valda zonen. Att använda ett större kokkärl betyder att energin används för maximal effekt. Att använda ett mindre kokkärl betyder att effekten blir mindre. Centra alltid kokkärl på kokzonen.

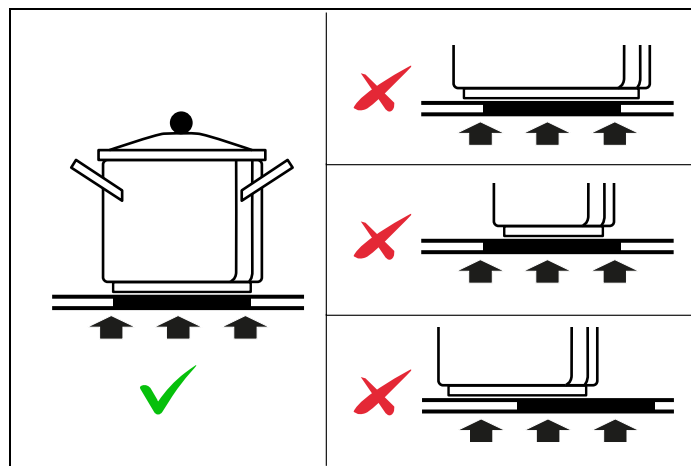


Fig. 12

Lyft alltid av kokkärl från spishällen – dra eller skjut dem inte eftersom detta kan repa glaset.

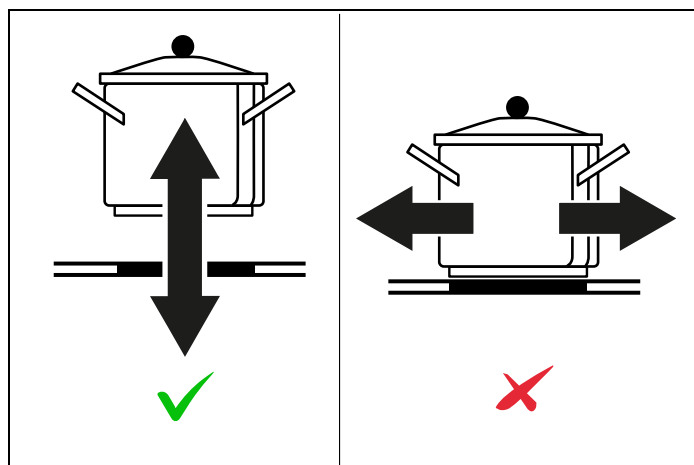


Fig. 13

Botten på kokkärllet måste vara av järn eller stål/järn för att kunna generera det magnetfält som krävs för uppvärmningen.




ANMÄRKNING

Kokkärl av följande material är olämpliga:

- glas
- porslin
- keramik
- stål, aluminium eller koppar utan magnetisk botten.

För att kontrollera om ditt kokkärl är passande: fyll på lite vatten i det och ställ det på en kokzon och slå på zonen.

Om  visas på displayen istället för effekten är kokkärllet inte passande.

Se till att kokkärllets material passar för induktion. För att kontrollera materialet, placera en magnet i botten av kokkärllet – om den fastnar passar kärlet för induktion.

ATT ANVÄNDA DIN INDUKTIONSHÄLL

FÖR ATT STARTA TILLAGNINGEN

- 1) Placera ett lämpligt kokkärl på den kokzon som du vill använda. Se till att kokkärllets botten och kokzonens yta är rena och torra.

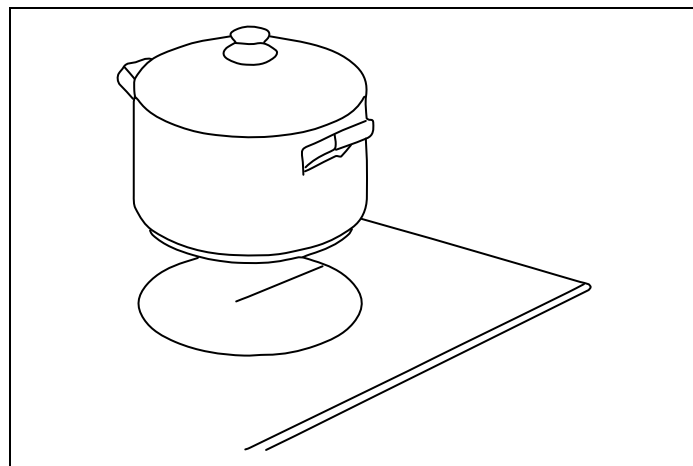


Fig. 14

- 2) Rör vid På/Av-knappen.

Efter påslagning hörs en ljudsignal en gång, alla displayer visar siffran "8" vilket betyder att spishällen har gått in i standby-läge.

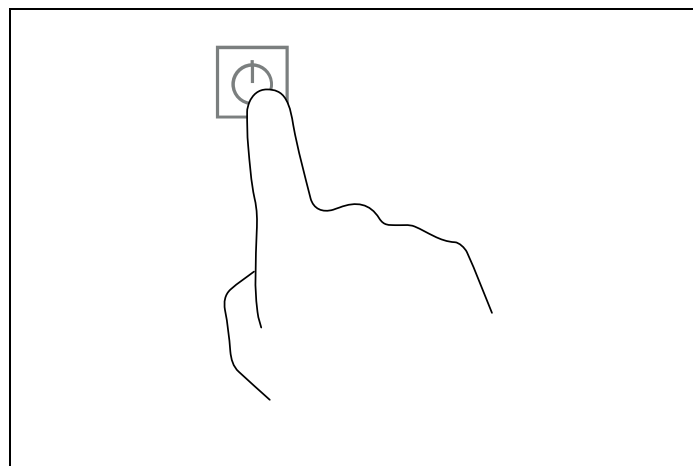


Fig. 15

INDUKTIONSHÄLL

- 3) Beroende på den kokzon som kokkärlet står på kan du justera värmeinställningen genom att röra vid glidramsreglaget.

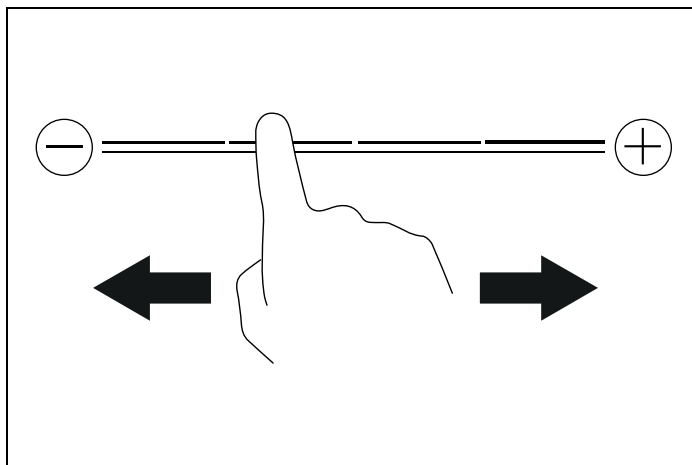


Fig. 16

- Om du inte väljer en värmeinställning inom 20 sekunder stängs induktionshällen av automatiskt. I detta fall måste du börja om igen från steg 2.
- Du kan modifiera värmeinställningen när som helst under matlagningen.

ATT ANVÄNDA BARNLÅSFUNKTIONEN

- Du kan låsa reglagen för att förhindra oavsiktlig användning (t. ex. att barn av misstag sätter på kokzonerna).
- När reglagen är låsta är alla reglage utom strömbrytaren inaktiverade.

ATT LÅSA REGLAGEN

Rör vid barnlåsknappen under 3 sekunder. Indikatorn ovanför barnlåsknappen tänds och timer-indikatorn visar "Lo".

ATT LÅSA UPP REGLAGEN


- 1) Se till att spishällen är påslagen.
- 2) Rör vid och håll kvar barnlåsknappen en stund.
- 3) Du kan nu börja använda din induktionshäll.



ANMÄRKNING


När spishällen är i låst läge är alla reglagen inaktiverade förutom OFF – du kan alltid stänga av spishällen med OFF-reglaget i ett nödläge, men du ska låsa upp spishällen först under nästa ingrepp.

ATT ANVÄNDA TIMERN

- Du kan ställa in timern för att stänga av en kokzon när den inställda tiden löper ut.
 - Du kan ställa in timern på upp till 99 minuter.
- 1) Välj den kokzon som är igång genom att röra vid kokzonens valknapp.
 - 2) Tryck på " + " eller " - ". Timerindikatorerna visar 01 (tryckning på +) eller 00 (tryckning på -)
 - 3) Genom att använda knapparna "+" och "-" kan du ställa in timern till mellan 1 och 99 minuter.
 - 4) När tiden är inställd börjar timern att räkna ned omedelbart. Indikatorn återgår till att visa effektnivå efter 10 sekunder. Effektnivåindikatorn är alltid aktiv och timerikonen  visas.
 - 5) Om du behöver kontrollera återstående tid kan du göra steg 1 och steg 2 igen.
 - 6) När tillagningstiderns tid löper ut stängs motsvarande kokzon av automatiskt. Övriga kokzoner fortsätter att fungera om de tidigare har aktiverats.

ANVÄNDA FLEX-ZONE-FUNKTIONEN

För att aktivera funktionen Flex-zon:

- 1) Tryck samtidigt var som helst på den vänstra och den högra sidan av skjutreglaget. Till exempel, tryck på nivå 1 på vänster sida och på nivå 8 på höger sida. Flex-zone-ikonen  visas och indikerar att funktionen har aktiverats.
- 2) Efter att symbolen för Flex-zon visas kommer displayen att automatiskt gå över till nivå 5. Då nivå 5 visas kan du justera den önskade nivån genom att röra vid glidramen.
- 3) Om du vill avbryta Flex-zone-funktionen, tryck samtidigt på vänster och höger bläddringslist varpå zonerna nollställs.



ATT ANVÄNDA BOOSTER- OCH DUBBEL BOOSTERZON

- Du kan använda funktionen booster/dubbel booster genom att trycka på boosterknappen.
- Rör vid boosterknappen en gång och displayområdet visar **p** vilket visar att spishällen har gått in i boosterläge. Efter att du är inne i booster-läge, rör vid boosterknappen en gång till och displayområdet visar **b** vilket visar att spishällen har gått in i dubbelts boosterläge.

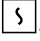
INDUKTIONSHÄLL




ATT ANVÄNDA PAUS OCH ÅTERSTÄLLNINGSFUNKTIONEN

Pausfunktionen kan användas när som helst under tillagning. Den gör det möjligt att stänga av spishällen och återställs tillagning utan att förlora inställningar.

- 1) Se till att kokzonen är påslagen.
- 2) Tryck på knappen  knappen. Kokzonens indikatorlampor visar . Spishällen kommer att avaktiveras, förutom för funktionerna Paus och Återställning, på/av och Barnlås. .
- 3) För att avbryta pausen, tryck på knappen Paus och Återställning igen. Indikatorerna börjar att blinka. Inom 10 sekunder, tryck på någon knapp (utom knappen Paus och Återställning) för att åter aktivera zonerna.

ATT ANVÄNDA TILLAGNINGSFUNKTIONEN

Rör vid valknappen för den kokzon som du vill använda, och tryck sedan på . Kokzonens indikatorlampa visar en av symbolerna nedan för varje tillagningsfunktion:

-  Smälta eller tina (cirka 50 °C)
-  Uppvärmning eller varmhållning (cirka 70 °C)
-  Sjudning, temperatur nära kokning, användbar för långsam tillagning

SPECIALFUNKTIONER

ÖVERHETTNINGSSKYDD

En sensor övervakar temperaturen i kokzonerna. Då temperaturen överstiger en säkerhetsnivå kommer kokzonen automatiskt att stängas av.

RESTVÄRMEVAKT










När spishällen har varit igång under en längre tid kommer det att finnas värme kvar. Bokstaven **H** visas för att varna dig om att ytan är för varm för att vidröras.

AUTOMATISK DETEKTERING AV KOKKÄRL

Placera kokkärlet på önskad kokzon, varpå den specifika effektindikatorn tänds automatiskt.

EFFEKTBEGRÄNSNING

Effektbegränsningsfunktionen anpassar apparatens effektuttag till den elektriska effekten som är tillgänglig i hemmet. För att aktivera funktionen, fortsätt enligt följande:

- 1) Tryck på  i 3 sekunder. Displayen visar då -.
- 2) Tryck samtidigt på kokfunktionsknappen  för den bakre vänstra värmezonen och . Displayen visar 
- 3) Tryck på . Displayen visar då 
- 4) Tryck samtidigt på kokfunktionsknappen  för den bakre vänstra värmezonen och . Displayen visar de aktuella värdena för max. effekt **28/45/60/72"**.
- 5) Tryck på knappen "-" eller "+" för att ändra och återställa din förväntade effekt 9000 W / 3500 W / 2800 W.
- 6) Tryck på  för att spara inställningen och lämna detta läge.

INDUKTIONSHÄLL

AUTOMATISKT AVSTÄNGNINGSSKYDD

Automatisk avstängning är en säkerhetsfunktion för att skydda din induktionshäll. Hällen stängs av automatiskt om du själv glömmer att stänga av den. De normala (förinställda) arbetstiderna för olika effektnivåer anges i tabellen nedan:

EFFEKTIVÅ	NORMAL ARBETSTIMER (MIN)
1-3	360
4-6	180
7-8	120
9	90



ANMÄRKNING

Skydd mot oavsiktlig användning.

Om kontrollpanelen avläser att en knapp hålls intryckt under cirka 10 sekunder kommer den automatiskt att stängas av. Kontrollpanelen sänder då ut en ljudsignal för att varna om att givarna har känt av närvaro av ett föremål. Displayen visar då felkoden **ER03**. Om spishällen fortfarande är het kommer displayen **H** och **0** att blinka alternerande.

SKÖTSEL OCH UNDERHÅLL



VARNING

Skilj alltid apparaten från strömförande nät innan du påbörjar underhållsarbete. Vid eventuella fel tillstånd, var vänlig kontakta kundservice.



VARNING

Skilj apparaten från strömförande nät innan rengöring.



VARNING

Använd inte ångtvätt för att rengöra apparaten.



Skadade strömkablar ska endast bytas ut av en kompetent person eller en kvalificerad elektriker.



Endast för bruk i hemmet.



Placera aldrig tomma kokkärl på spishällen eftersom detta kommer att ge ett felmeddelande på displayen.



Då en kokzon har varit påslagen under en längre tidsperiod, kommer ytan att vara het under längre stund efteråt – rör därför inte vid glaskeramikhällens yta.



För förseglade livsmedel: var vänlig värm dem inte innan du öppnar och tar av locket – detta för att undvika explosionsfara på grund av värmeexpansion.



Om ytan på induktionshällen är spräckt, stäng av apparaten för att undvika eventuell elchock.



Placera inte ojämna eller repade kokkärl på spishällen eftersom de kan skada glaskeramikhällens yta.



Undvik att sätta ned kokkärlen hårt på spishällen. Den glaskeramiska ytan är stark men inte okrossbar.



Placera inte rengöringsmedel eller lättantändliga material under spishällen.

INDUKTIONSHÅLL

Innan rengöring startas, låt spishällen svalna tills varningslampan för värme har slocknat.

Använd inte slipande rengöringskrämer eller pulver och inte heller metallsvampar. Allt vatten, alla matrester och rester av rengöringsmedel måste avlägsnas innan apparaten används igen.

Avlägsna lätt smuts med en mjuk trasa doppad i vatten och rengöringsmedel, och putsa sedan med en mikrofiberduk.

För hårdare smuts, använd en specifik produkt för rengöring – följ tillverkarens användarinstruktioner.

Vid spill av sockerhaltiga material (som sylt) eller om plast eller metall oavsiktligt smält på spishällens yta, stäng av spishällen och avlägsna dem genast – var mycket försiktig eftersom både hällen och smutsen kommer att vara mycket heta.

GLAS

Använd en mjuk trasa fuktad med hett vatten och flytande rengöringsmedel. Torka torrt med mikrofiberduk.

Svår smuts kan avlägsnas med rengöringsmedel i krämform. Använd inte vassa föremål eftersom de kan repa glaset.

SKÖTSEL OCH UNDERHÅLL

RENGÖRING AV APPARATEN



OBSERVERA

Undvik att gnugga med slipande medel och dra inte kärnen över hällen, eftersom detta kommer att lämna märken på induktionshällen över tid.



OBSERVERA

Rengör induktionshällen regelbundet för att förebygga ansamling av matrester.

- Apparaten ska rengöras efter användning.
- Ytan på induktionshällen är lätt att rengöra – se förklaringen i tabellen nedan.

Använd en skrapa för att genast avlägsna eventuella aluminiumfoliebitar, matrester, fettstänk, sockermärken och andra rester med hög sockerhalt från ytan – detta för att undvika att skada hällen. Rengör sedan ytan med en trasa och passande rengöringsmedel, skölj sedan med vatten och torka med en ren och torr trasa. Du får aldrig använda svampar eller slipande trasor, och undvik även aggressiva kemiska rengöringsmedel, som ugnrensningsspray och fläckborttagningsmedel.

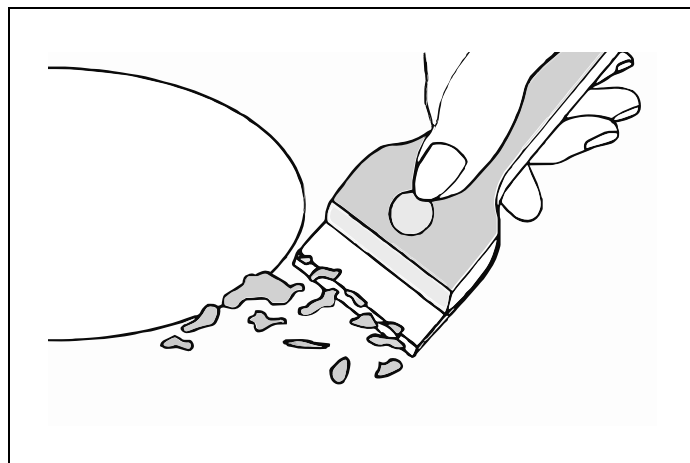


Fig. 17

TYP AV SMUTS	RENGÖRINGSMETOD	RENGÖRINGSMATERIAL
Kalkavlagring	Spraya ytan med vinäger och torka sedan torrt med en mjuk trasa	Specifikt rengöringsmedel för glaskeramik
Inbrända fläckar	Rengör med en fuktig trasa och torka torrt med en mjuk trasa	Specifikt rengöringsmedel för glaskeramik
Lätta fläckar	Rengör med en fuktig trasa och torka torrt med en mjuk trasa	Rengöringssvamp
Smält plast	Använd en skrapa som passar för glaskeramik för att avlägsna rester	Specifikt rengöringsmedel för glaskeramik

FELSÖKNING

Innan du ringer kundservice, kontrollera att apparaten är korrekt ansluten – följande fall täcks inte av garantin

- Skada som uppstår på grund av felaktig användning, förvaring eller underhåll.
- Skada som uppstår på grund av icke-auktoriserad demontering och reparation.
- Skada som uppstår på grund av felaktig användning.
- Yrkesmässig användning av induktionshällen.

Om ett feltillstånd uppstår kommer induktionshällen att automatiskt gå in i skyddstillstånd, och displayen visar då skyddskoder som förklaras i tabellen nedan.



OBSERVERA

Demontera inte enheten på egen hand, detta för att undvika eventuella risker och skador på induktionshällen. Om du behöver mer hjälp, kontakta leverantören.

FELKOD	MÖJLIG ORSAK	ÅTGÄRD
	Inget kokkärl eller kokkärllet är inte passande.	Byt kokkärl.
ER03	Vatten eller kokkärl på glaset över reglaget	Rengör användargränssnittet.
F1E	Kopplingen mellan displaykortet och vänster moderkort fungerar inte (i kokzonen för vilken indikatorn visar E)	1) Anslutningskabel ej korrekt ansluten eller defekt. 2) Byt ut moderkortet.
F3E	Fel i spoltemperatursensor (kokzonen för vilken indikatorn visar E)	Byt ut spolsensorn.
F4E	Fel i moderkortets temperatursensor (kokzonen för vilken indikatorn visar "E")	Byt ut moderkortet.
E1E	Keramikglasplattans temperatursensor är hög.	Starta om när induktionshällen har svalnat.
E2 E	IGBT:ns temperatursensor är hög.	Starta om när induktionshällen har svalnat.
E3 E	Onormal nätspänning (för hög).	Kontrollera att matarspänningen är normal. Slå på igen när strömförsörjningen är normal.
E4 E	Onormal nätspänning (för låg).	Kontrollera att matarspänningen är normal. Slå på igen när strömförsörjningen är normal.
E5 E	Fel i temperaturgivare (kokzonen för vilken indikatorn visar E)	Anslutningskabel ej korrekt ansluten eller felaktigt monterad.

GARANTI

GARANTI OCH SERVICE



Bertazzoni är starkt engagerat i att leverera högsta kvalitet på service till sina kunder. I den mycket osannolika händelsen av att din apparat skulle ha ett fabriktionsfel, var vänlig kontakta vårt serviceteam på:

<https://SE.bertazzoni.com/more/care-service>

Där ska du lämna information om din produkt, inköpsbevis, foto av den silverfärgade typskylten och en kort beskrivning av problemet. Se till att ha denna information till hands.

((ترجمة معتمدة))



إف. إل إل أي، بيرتازوني، إيطاليا

٣

اللغة الإنجليزية
دليل التركيب
دليل المستخدم والصيانة
الموقد الحثي المدمج

www.bertazzoni.com

من مكتب رئيسنا

عزيزي المالك الجديد لجهاز بيرتازوني،

أود أن أشكر على اختيار أحد منتجاتنا الجميلة لمنزلك.

لقد بدأت عائلي في تصنيع أدوات المطبخ في إيطاليا في عام ١٨٨٢، وبناء سمعة طيبة للجودة الهندسية والشغف بالنسبة للطعام الجيد.

اليوم، تتميز منتجاتنا بمزيج فريد خاص بها من التصميم الإيطالي الأصيل وتكنولوجيا الأجهزة الفائقة. إن مهمتنا هي صنع منتجات تعمل بشكل مثالي وتجلب السعادة لمالكها.

من خلال صنع منتجات جميلة، فإننا نستجيب لذوق عملائنا في التصميم الجيد، من خلال جعلها متعددة الاستخدامات وسهلة الاستخدام، إن الطهي مع بيرتازوني أصبح متعة حقيقية.

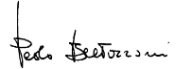
سيساعدك هذا الدليل على تعلم كيفية استخدام جهاز بيرتازوني الخاص بك والعناية به بالطريقة الأكثر أماناً وفعالية، بحيث يمكنه أن يمنحك أعلى مستوى من الرضا لسنوات قادمة.

نرجو أن تستمتع به!

باولو بيرتازوني

الرئيس

(توقيع)



صلاحيه دليل المستخدم

إن الدليل التالي صالح فقط للمنتج الذي يحمل الرمز P604I2M28NVS

المحتويات

٧	معلومات عامة
٧	قراءة الدليل
٧	المقدمة والسلامة
٨	تعريف الجهاز
٨	معلومات السلامة العامة
١٠	التركيب
١٠	الدليل الفني لعامل التركيب
١٠	معلومات لعامل التركيب
١٠	تركيب المنتج
١١	تركيب الموقد
١١	اختيار معدات التركيب
١٢	إجراء التركيب
١٢	التنبيهات
١٣	توصيل الموقد بمصدر الطاقة الرئيسي
١٤	الاستخدام والصيانة
١٤	الاستخدام
١٤	تحذيرات هامة للمستخدم
١٥	الموقد الحثي
١٥	تخطيط الموقد
١٧	استخدام عناصر التحكم باللمس
١٧	اختيار أواني الطهي المناسبة
١٨	استخدام الموقد الحثي الخاص بك
٢٠	وظائف خاصة
٢٢	الرعاية والصيانة
٢٢	الموقد الحثي
٢٢	الزجاج
٢٣	تنظيف الجهاز
٢٤	استكشاف الأخطاء وإصلاحها
٢٥	الضمان
٢٥	الضمان والخدمة

قم بقراءة التعليمات الواردة في هذا الدليل بعناية قبل تركيب و/أو استخدام الجهاز.

سيساعدك هذا في التعرف على جهازك الجديد.

احتفظ بهذه الوثيقة في متناول اليد حتى تتمكن من الرجوع إليها في أي وقت، وقم بتسليمها إلى أي مالك لاحق.

اقرأ رسائل السلامة الواردة في مقدمة هذا الدليل وأعط الاعتبار الواجب لملاحظات السلامة مثل: "تنبيه" و"تحذير" و"خطر" التي تظهر في النص.

خطر



يشير هذا الرمز إلى موقف يمثل خطرًا عليك وعلى الآخرين. اقرأه بعناية وتأكد من أنك تفهم تمامًا أسباب الحوادث الخطيرة أو المميتة المحتملة.

تحذير



يشير هذا الرمز إلى معلومات السلامة. اقرأها بعناية وتأكد من أنك تفهم تمامًا أسباب الحوادث الخطيرة المحتملة.

تنبيه



يشير هذا الرمز إلى إجراء قد يعرض بنية الجهاز أو مكوناته للخطر. انتبه بشكل خاص لهذه الإجراءات.

ملاحظة



هذه التعليمات مناسبة لأنواع مختلفة من الأجهزة، لذلك قد تحتوي على أوصاف للوظائف التي قد لا يحتوي عليها جهازك أو يدعمها.

تشير الصور والرسوم التوضيحية الواردة في هذا المستند إلى موديلات مختلفة وقد تختلف قليلاً عن المنتج الذي تم شراؤه.

لا تتحمل الشركة المصنعة أي مسؤولية عن الإصابة الشخصية أو الأضرار التي تلحق بالممتلكات نتيجة التركيب غير الصحيح أو سوء استخدام الجهاز.

تحتفظ الشركة المصنعة بالحق في تعديل الموديلات المختلفة كما هو مطلوب للامتثال للوائح الفنية المعمول بها.

في حالة وجود شكوى، يرجى الاتصال بخدمة العملاء.

يشير هذا الرمز إلى النصائح المفيدة ويلفت انتباهك إلى الإجراءات والممارسات الصحيحة. سيؤدي الالتزام بالتعليمات المؤشر عليها بهذا الرمز إلى تجنب حدوث مشكلات بالنسبة لك.

يسلط الرمز الضوء على طرق أو إجراءات الاستخدام الصحيح للجهاز

معلومات عامة تعريف الجهاز

معلومات السلامة العامة

يتوافق هذا الجهاز مع التوجيه الأوروبي رقم:
2012/19/EU (RoHS)

تم وضع علامة على هذا الجهاز وفقاً للتوجيه الأوروبي رقم: 2012/19/EC فيما يتعلق بمخلفات المعدات الكهربائية والإلكترونية (WEEE).

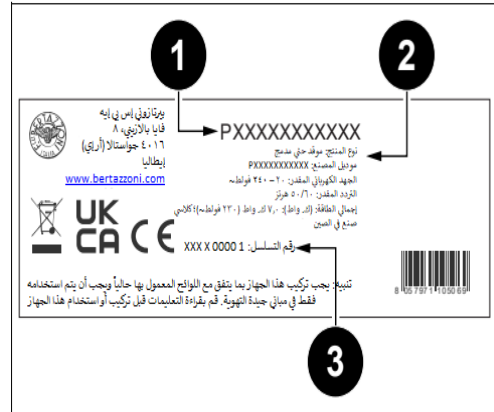


يحتوي هذا التوجيه على اللوائح التي تحكم جمع وإعادة تدوير الأجهزة التي تم إيقاف تشغيلها في جميع أنحاء الاتحاد الأوروبي

يشير رمز سلة المخلفات الذي يوجد فوقه صليب والذي يظهر على المنتج إلى أنه لا يجب التخلص من مخلفات المعدات الكهربائية والإلكترونية (WEEE) مع المخلفات المدنية العادية ولكن يجب التخلص منها بشكل منفصل، بحيث يمكن أن تخضع لمعالجة خاصة للتمكن من إعادة استخدامها أو معالجتها بشكل خاص للإزالة والتخلص الآمن من أي مواد ضارة بالبيئة واستخلاص المواد الخام التي يمكن إعادة تدويرها.



ولذلك، يجب تسليم مخلفات المعدات الكهربائية والإلكترونية إلى مراكز إعادة التدوير التي تديرها السلطات البلدية أو شركات إدارة المخلفات. علاوة على ذلك، عند شراء جهاز جديد، يمكن إرسال مخلفات المعدات الكهربائية والإلكترونية إلى بائع التجزئة، الذي



الشكل رقم ١

تحتوي لوحة البيانات على المعلومات التالية:

- (١) رمز المبيعات
- (٢) الموديل
- (٣) رقم التسلسل

يكون ملزمًا باستعادتها مجانًا ("١:١")
استرداد).

يمكن إرسال مخلفات المعدات الكهربائية والإلكترونية "الصغيرة جدًا" (التي لا يتجاوز أبعادها ٢٥ سم) إلى تجار التجزئة مجانًا حتى في حالة عدم إجراء أي عملية شراء ("١:٠") الاسترداد - وهو مع ذلك إلزامي فقط للمتاجر التي تزيد مساحة مبيعاتها عن ٤٠٠ م^٢).

خطر



هذا الجهاز غير مخصص للاستخدام من قبل الأشخاص، بما في ذلك الأطفال، ذوي القدرات العقلية أو الحركية المنخفضة، أو الذين ليس لديهم خبرة أو معرفة بتشغيل المنتج. لا يجوز لهؤلاء الأشخاص استخدام الجهاز إلا تحت إشراف شخص مسؤول عن سلامتهم وتعليمات مناسبة لاستخدام الجهاز.

خطر



في حالة تشقق سطح الموقد الحثي، قم بإيقاف تشغيل الجهاز لتجنب خطر الصدمات الكهربائية.

خطر



خطر الحريق: لا تترك أشياء قابلة للاشتعال على أسطح الطهي.

معلومات عامة

تحذير 	خطر 
قد تصبح الأجزاء التي يمكن الوصول إليها ساخنة أثناء الاستخدام. يجب إبقاء الأطفال بعيدًا عنهم جيدًا.	قد يكون الطهي التلقائي على الموقد باستخدام الدهون أو الزيت خطيرًا وقد يتسبب في نشوب حرائق. إذا اندلع حريق، فلا تحاول إخماده بالماء. قم بإيقاف تشغيل الجهاز وتغطية النيران بغطاء أو بطانية حريق.
تحذير 	خطر 
تأكد من فصل الجهاز عن مصدر الطاقة الرئيسي قبل استبدال المصباح لتجنب الصدمات الكهربائية المحتملة.	يمكن استخدام هذا الجهاز من قبل الأطفال الذين تزيد أعمارهم عن ٨ سنوات والأشخاص ذوي القدرات البدنية أو الحسية أو العقلية المنخفضة، أو الذين ليس لديهم الخبرة والمعرفة اللازمة، بشرط أن يتم الإشراف عليهم أو أن يتلقوا تعليمات بشأن الاستخدام الآمن للجهاز وفهم المخاطر المعنية. يجب ألا يلعب الأطفال بالجهاز. يجب ألا يتم إجراء التنظيف وصيانة المستخدم بواسطة أطفال غير خاضعين للرقابة.
تحذير 	تحذير 
لا تستخدم منظفات البخار لتنظيف الجهاز	يصبح الجهاز والأجزاء التي يمكن الوصول إليها ساخنة جدًا أثناء الاستخدام. لا تلمس عناصر التسخين. يجب إبعاد الأطفال الذين تقل أعمارهم عن ١٦ عامًا عن الجهاز ما لم تتم مراقبتهم باستمرار.
تحذير 	
لا تستخدم مؤقتًا خارجيًا أو أنظمة تحكم عن بعد أخرى لتشغيل الجهاز.	لا تلمس عناصر التسخين الموجودة بالموقد و/أو داخل الفرن.

الدليل الفني لعامل التركيب

معلومات لعامل التركيب

تركيب المنتج

ملاحظة 	يجب أن يتم تنفيذ إجراءات التركيب والضبط والتحويل والصيانة المذكورة فقط بواسطة موظفين مؤهلين وفقًا لإطار العمل التنظيمي الحالي.
قم بإزالة جميع أجزاء التغليف من الجهاز قبل التخلص من التغليف	
ملاحظة 	خطر 
قم بإزالة جميع أجزاء التغليف ورقائق الحماية قبل التركيب	قد يؤدي التركيب غير الصحيح إلى إصابة الأشخاص والحيوانات الأليفة أو تلف الممتلكات، وهو ما لا تتحمل الشركة المصنعة المسؤولية بشأنه.
خطر 	
قم بالاحتفاظ بجميع أجزاء التغليف (البوليسترين الممدد، الأكياس، الصناديق الكرتونية، المسامير) بعيدًا عن متناول الأطفال لأنها مواد خطيرة.	خلال عمر الجهاز، لا يجوز تعديل سلامة الجهاز أو أجهزة الضبط التلقائي إلا من قبل الشركة المصنعة أو عامل التركيب المعتمد حسب الأصول.
خطر 	
تأكد من أن المنتج سليم بعد إزالة التغليف الداخلي والخارجي من الأجزاء المتحركة المختلفة وقبل البدء في التركيب. إذا كان لديك شكوك، فلا تستخدم الجهاز واتصل بالموظفين المؤهلين	
تحذير 	
يجب إنشاء مدخنة فتحة الهواء وفقًا للوائح والقوانين الإقليمية.	

تحذير



يجب ضمان كمية كافية من الهواء.

تنبيه



يجب أن تكون أي الأسطح الرأسية لوحات الأثاث المجاورة والجدار خلف المنتج من مادة مقاومة للحرارة وقادرة على تحمل درجة حرارة تصل إلى ٩٠ درجة مئوية.

تركيب الموقد

اختيار معدات التركيب

ملاحظة

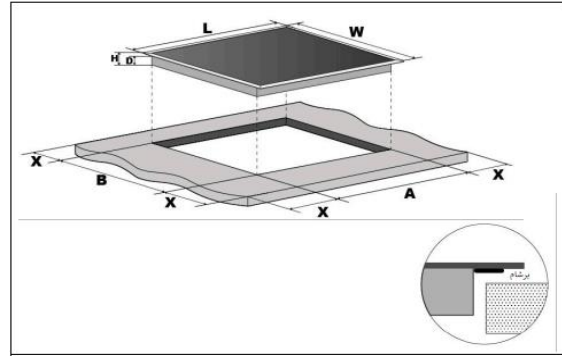


يجب أن تكون مسافة الأمان بين الموقد والخزانة الموجودة فوق الموقد ٦٥٠ ملم على الأقل.

قم بقطع سطح العمل حسب المقاسات الموضحة في الشكل رقم ٢. لغرض التركيب والاستخدام، يجب الحفاظ على مساحة لا تقل عن ٥ سم حول الفتحة.

قبل تركيب الموقد، تأكد من أن

- يكون سطح العمل مربعاً ومستوياً، ولا تتعارض أي عناصر إنشائية مع متطلبات المساحة.
- يكون سطح العمل مصنوع من مادة مقاومة للحرارة.
- إذا تم تركيب الموقد فوق الفرن، يكون الفرن مزوداً بمروحة تبريد مدمجة.
- سوف يتوافق التركيب مع جميع متطلبات التخليص والمعايير واللوائح المعمول بها.
- يتم دمج مفتاح عزل مناسب يوفر فصلاً كاملاً عن مصدر الطاقة الرئيسي في الأسلاك الدائمة، ويتم تركيبه ووضعه بحيث يتوافق مع القواعد واللوائح المحلية لتمديد الأسلاك.
- يجب أن يكون مفتاح العزل من النوع المعتمد ويوفر فجوة هوائية فاصلة بمقدار ٣ مم في جميع الأقطاب (أو في جميع موصلات [المرحلة] النشطة إذا



الشكل رقم ٢

X	B	A	الأبعاد	الارتفاع	العرض	الطول
(مم)	(مم)	(مم)	(مم)	(مم)	(مم)	(مم)
٥٠	٤٨	٥٦	٥٦	٦٠	٥٢٠	٥٩٠
كحد أدنى						

تأكد من أن سمك سطح العمل لا يقل عن ٣٠ ملم. يرجى اختيار مادة سطح العمل المقاومة للحرارة لتجنب التشوه أكبر بسبب الإشعاع الحراري من لوح التسخين.

تحت أي ظرف من الظروف، تأكد من تهوية أعلى موقد الطهي جيداً وعدم انسداد مدخل ومخرج الهواء. تأكد من أن أعلى موقد الطهي في حالة عمل جيدة

كانت قواعد الأسلاك المحلية تسمح بهذا الاختلاف في المتطلبات).

- يكون من السهل على العميل الوصول إلى مفتاح العزل بعد تركيب الموقد.

- يجب عليك استشارة سلطات البناء المحلية واللوائح المحلية إذا كانت لديك شكوك بشأن التركيب.

- يتم استخدام تشطيبات مقاومة للحرارة وسهلة التنظيف (مثل بلاط السيراميك) لأسطح الجدران المحيطة بالموقد.

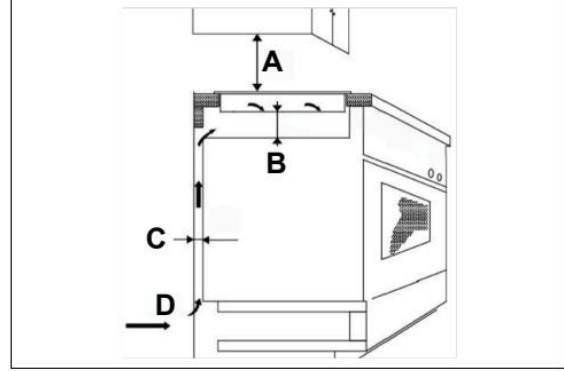
عندما تنتهي من تركيب الموقد، تأكد من أن

- لا يمكن الوصول إلى كابل إمداد الطاقة من خلال أبواب أو أدراج الخزانة.

- يوجد تدفق كافٍ للهواء النقي من خارج الخزانة إلى قاعدة الموقد.

- إذا تم تركيب الموقد فوق مساحة درج أو خزانة، يتم تركيب حاجز حماية حراري أسفل قاعدة الموقد.

- يمكن للعميل الوصول بسهولة إلى مفتاح العزل

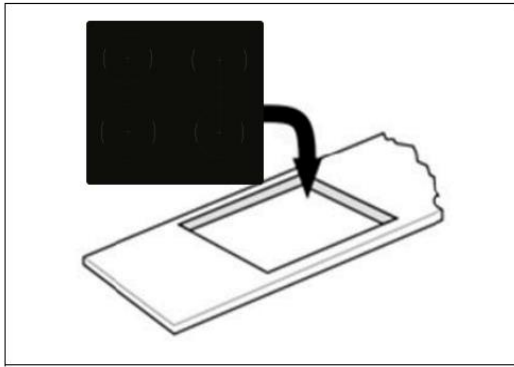


الشكل رقم ٣

D	C (مم)	B (مم)	A (مم)
مدخل الهواء	٢٠ كحد أدنى	٢٠ كحد أدنى	٦٥.

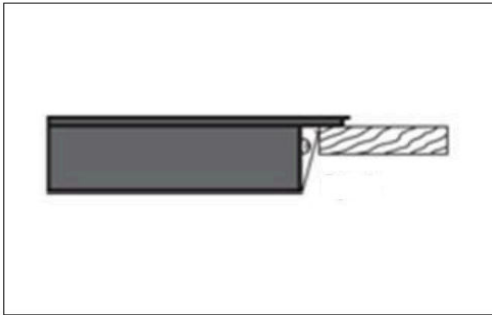
تركيب الموقد إجراء التركيب

3) لا تستخدم مادة لاصقة لتركيب الموقد على سطح العمل. بمجرد تركيب البرشام، ضع الموقد في الفتحة الموجودة في سطح العمل.



الشكل رقم ٦

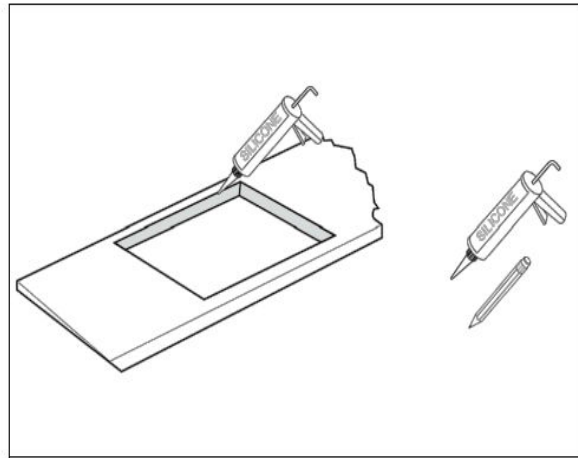
4) قم بإجراء ضغط لطيف للأسفل على الموقد لدفعه إلى سطح العمل لضمان إحكام الإغلاق بشكل جيد حول الحافة الخارجية



الشكل رقم ٧

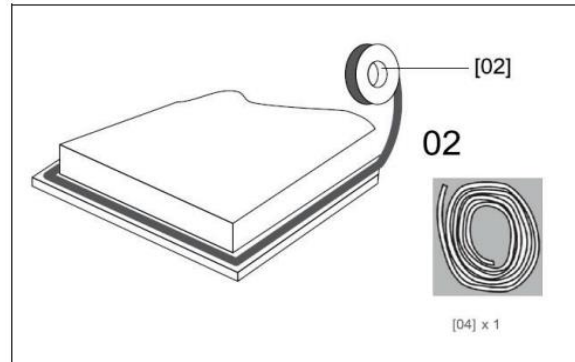
تنبيهات

1) قم بقطع سطح العمل حسب الأبعاد المتوفرة الموضحة مع المعدات المناسبة. أغلق الحافة المقطوعة لسطح العمل باستخدام السيليكون أو PTFE واتركها حتى تجف قبل تركيب الموقد.



الشكل رقم ٤

2) قم بتمديد البرشام المرفق على طول الحافة السفلية للموقد، مع التأكد من تداخل الأطراف



الشكل رقم ٥

1) يجب أن يتم تركيب لوح التسخين الخزفي بواسطة موظفين أو فنيين مؤهلين. لدينا محترفين في خدمتكم. يرجى عدم إجراء العملية بنفسك.

2) لا تقم بتركيب الموقد مباشرة فوق غسالة الأطباق أو الثلاجة أو الفريزر أو الغسالة أو مجفف الملابس، لأن الرطوبة قد تؤدي إلى تلف إلكترونيات الموقد.

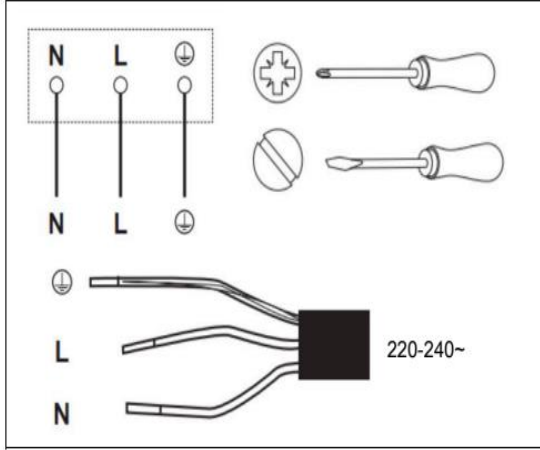
3) يجب تركيب لوح التسخين الخزفي بحيث يمكن ضمان إشعاع حراري أفضل لتعزيز موثوقيته.

4) يجب أن يتحمل الجدار ومنطقة التسخين التي يتم حثها فوق سطح الطاولة الحرارة.

5) لتجنب أي ضرر، يجب أن تكون الطبقة المزدوجة والمواد اللاصقة مقاومة للحرارة


تركيب الموقد

توصيل الموقد بمصدر الطاقة الرئيسي



الشكل رقم ٨

- L - بني: مباشر
- N - أزرق: محايد

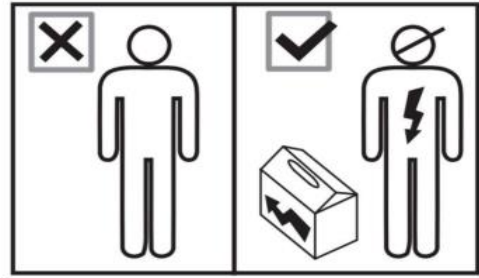
-  - أخضر وأصفر: أرضي

يتطلب هذا الجهاز قاطع دائرة مصغر بقدر ٣٢ أمبير.

- في حالة تلف الكابل أو الرغبة في استبداله، يجب أن تتم العملية بواسطة وكيل ما بعد البيع باستخدام أدوات مخصصة لتجنب أي حوادث.

- إذا كان الجهاز متصلاً مباشرة بالتيار الكهربائي، فيجب تركيب قاطع دائرة متعدد القطب مع فتحة لا تقل عن ٣ مم بين نقاط الاتصال.

- يجب على عامل التركيب التأكد من إجراء التوصيل الكهربائي الصحيح وأنه متوافق مع لوائح السلامة.



يجب أن يتم تنفيذ جميع أعمال التركيب بواسطة شخص مختص أو كهربائي مؤهل. قبل توصيل مصدر الطاقة الرئيسي، تأكد من أن جهد التيار الكهربائي يتوافق مع الجهد الموجود على لوحة التصنيف داخل غطاء الموقد.

تحذير



يجب تأريض هذا الجهاز.

تنبيه



يجب توصيل هذا الموقد بمصدر الطاقة الرئيسي فقط من قبل شخص مؤهل بصورة مناسبة.

قبل توصيل الموقد بمصدر الطاقة الرئيسي قم بالتحقق من أن:

- (1) نظام الأسلاك المنزلي مناسب للطاقة التي يسحبها الموقد.
- (2) يتوافق الجهد مع القيمة المذكورة في لوحة التصنيف

3) يمكن لأقسام كابل مصدر الطاقة أن تتحمل الحمل المحدد على لوحة التصنيف

- يجب ألا يكون الكابل مثنيًا أو مضغوطًا.

- يجب فحص الكابل بانتظام واستبداله من قبل الفنيين المعتمدين فقط.

تنبيه



لتوصيل الموقد بمصدر الطاقة الرئيسي، لا تستخدم المحولات أو المخفضات أو الأجهزة المتفرعة، لأنها يمكن أن تسبب ارتفاع درجة الحرارة ونشوب حريق.

تنبيه



لا يجب أن يلامس كابل مصدر الطاقة أي أجزاء ساخنة ويجب أن يتم وضعها بحيث لا تتجاوز درجة حرارتها ١٨٠ درجة مئوية في أي نقطة.

يتم تزويد هذا الجهاز بكابل رئيسي ثلاثي الألوان كما هو موضح في الشكل رقم ٨

تحذير



لا توضع أشياء معدنية مثل السكاكين أو الشوك أو الملاعق أو الأغطية على سطح الموقد لأنها قد تصبح ساخنة.

تحذير



بعد الاستخدام، قم بإيقاف تشغيل عناصر الموقد باستخدام عناصر التحكم الخاصة به؛ لا تعتمد على مستشعر المقلادة.

تحذير



قد ترتفع درجة حرارة الأجزاء التي يمكن الوصول إليها أثناء الاستخدام. قم بإبقاء الأطفال بعيدًا عن الجهاز جيدًا.

تحذير



يجب مراقبة عمليات الطهي. يجب الإشراف المستمر على عملية الطهي القصيرة.

تحذير



يصبح الجهاز ساخنًا أثناء الاستخدام. تجنب لمس عناصر التسخين داخل الفرن.

تحذير



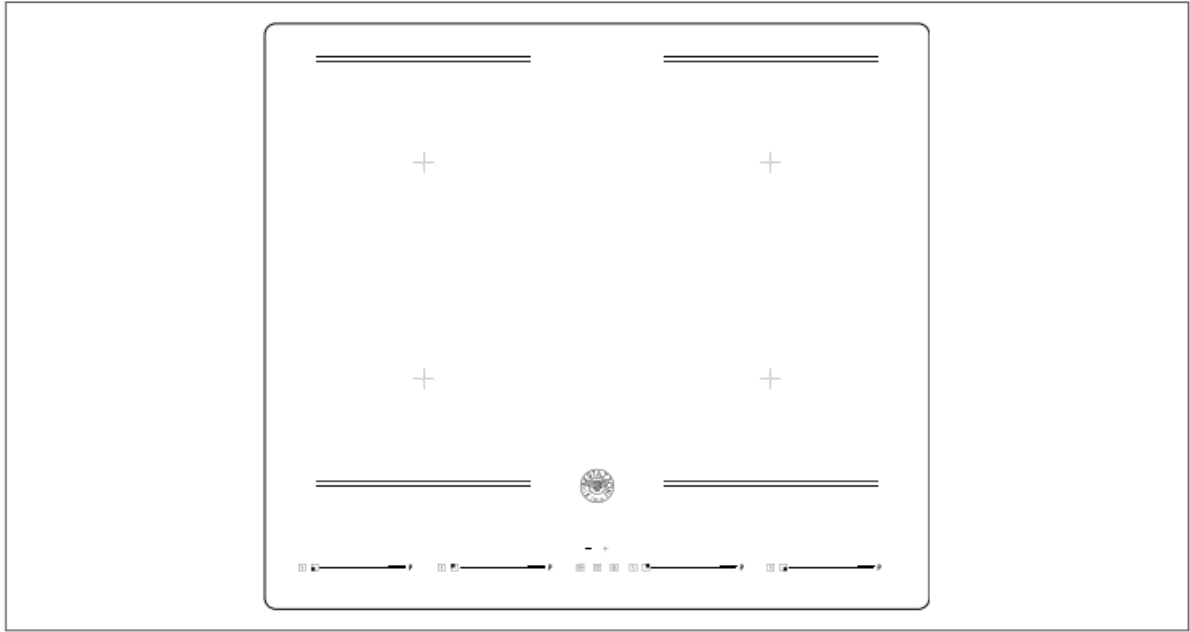
الجهاز غير مخصص للعمل عن طريق مؤقت خارجي أو أي نظام آخر للتحكم عن بعد.

تنبيه



لا تستخدم منتجات التنظيف الكاشطة أو المكاشط المعدنية ذات الحواف الحادة لتنظيف زجاج باب الفرن، لأنها قد تخدش سطحه وقد ينكسر الزجاج.

الموقد الحثي
تخطيط الموقد
طاقة منطقة التسخين



الشكل رقم ٩




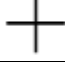

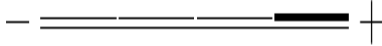

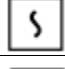

منطقة الطهي	تشغيل الطاقة العادية (واط)	مع وظيفة المعزز (واط)	مع وظيفة المعزز المزدوج (واط)	مع وظيفة الجسر (واط)
الجهة الأمامية اليسرى	٢٠٠٠	٢٦٠٠	٢٨٠٠	٣٦٠٠/٣٤٠٠/٣٠٠٠
الجهة الخلفية اليسرى	١٥٠٠	١٨٠٠	٢٠٠٠	٣٦٠٠/٣٤٠٠/٣٠٠٠
الجهة الخلفية اليمنى	١٥٠٠	١٨٠٠	٢٠٠٠	٣٦٠٠/٣٤٠٠/٣٠٠٠
	٢٠٠٠	٢٦٠٠	٢٨٠٠	

الجهة الأمامية
اليمنى

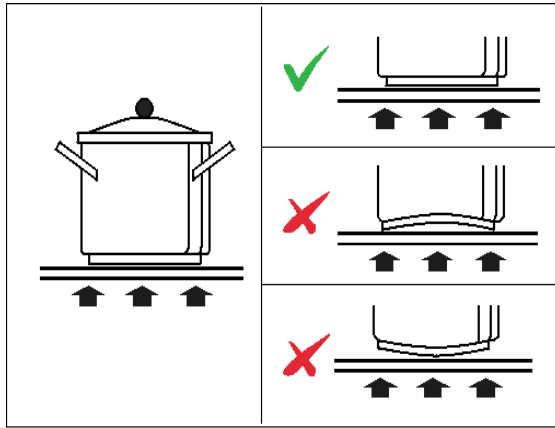
إجمالي الطاقة المقدرة	مستويات حدود الطاقة	منطقة التسخين
٧٤٠٠ واط	٧٢٠٠/٦٠٠٠/٤٥٠٠/٢٨٠٠ واط	الحد الأقصى للطاقة (٢٢٠-٢٤٠ فولط ~ ٦٠/٥٠ هرتز)

الموقد الحثي

واجهة المستخدم

التفاصيل	المرجع	
مفتاح اختيار المنطقة	A	
مفتاح التشغيل/الإيقاف	B	
مفتاح تنظيم المؤقت (تقليل)	C	
مفتاح تنظيم المؤقت (زيادة)	D	
مفتاح تعزيز التحكم	E	
مفتاح تنظيم شريط التمرير الذي يعمل باللمس	F	
القفل ضد الأطفال	G	
وظيفة الطهي	H	
وظيفة التوقف	I	

لا تستخدم أواني الطهي ذات الحواف الخشنة أو ذات القاعدة المنحنية.

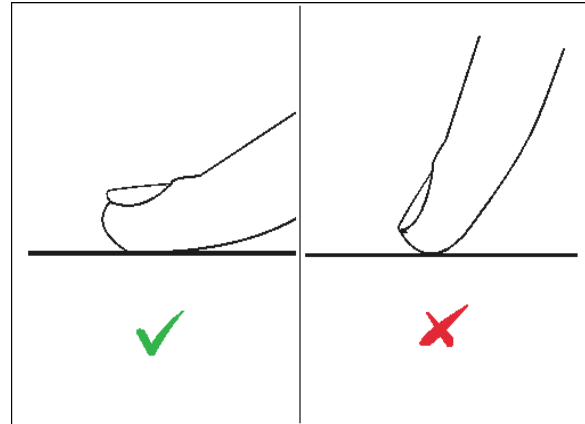


الشكل رقم ١١

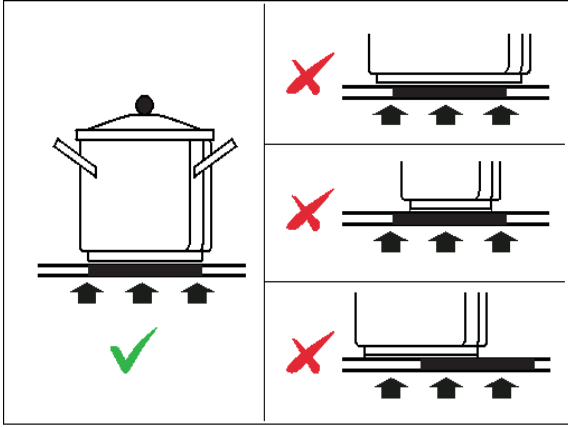
تأكد من أن قاعدة المقلاة ناعمة ومسطحة على الزجاج وبنفس حجم منطقة الطهي.

استخدم المقالي التي يكون قطرها كبيراً مثل رسم المنطقة المختارة. باستخدام وعاء سيتم استخدام طاقة أوسع قليلاً بأقصى قدر من الكفاءة. إذا كنت تستخدم إناء أصغر، فقد تكون الكفاءة أقل من المتوقع. قم دائماً بتوسيط المقلاة على منطقة الطهي.

- تستجيب عناصر التحكم باللمس، لذلك لا تحتاج إلى ممارسة أي ضغط.
- استخدم كرة إصبعك، وليس طرفها.
- سوف تسمع صوت تنبيه في كل مرة يتم فيها تسجيل اللمس.
- تأكد من أن أدوات التحكم نظيفة وجافة دائماً، ومن عدم وجود أي شيء (مثل أداة أو قطعة قماش) يغطيها. حتى طبقة رقيقة من الماء قد تجعل من الصعب تشغيل أدوات التحكم.



الشكل رقم ١٠



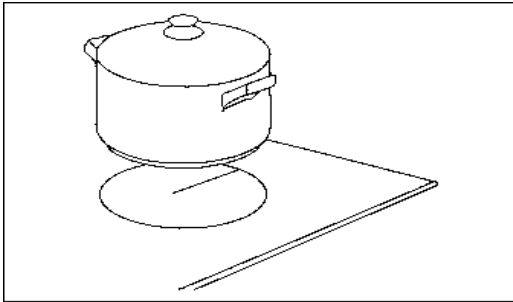
الشكل رقم ١٢

قم دائمًا برفع المقالي عن الموقد - لا تجعلها تنزلق
وإلا فإنها قد تخدش الزجاج

استخدام الموقد الحثي الخاص بك

لبداء عملية الطهي

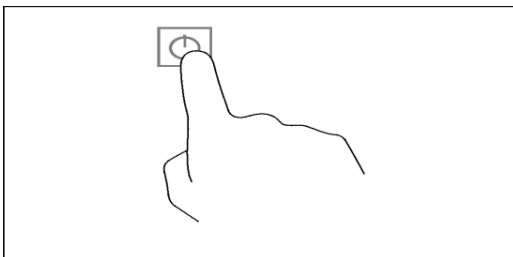
1) ضع مقلاة مناسبة على منطقة الطهي التي ترغب في استخدامها. تأكد من أن الجزء السفلي من المقلاة وسطح منطقة الطهي نظيفان وجافان.



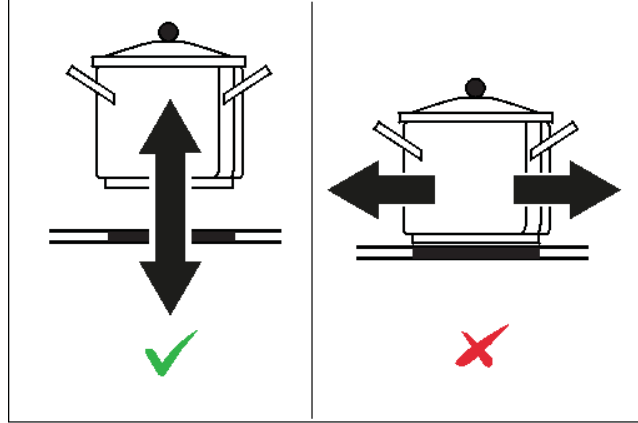
الشكل رقم ١٤

2) قم بلمس مفتاح التشغيل/الإيقاف

بعد التشغيل، يصدر صوت صفير مرة واحدة، وتظهر جميع شاشات علامة "٨"، مما يشير إلى أن الموقد قد دخل في حالة وضع الاستعداد.



الشكل رقم ١٥



الشكل رقم ١٣

يجب أن يكون قاع المقلاة مصنوع من الحديد أو الصلب/الحديد لتوليد مجال مغناطيسي ضروري لعملية التسخين.


ملاحظة



المقالي المصنوعة من المواد التالية ليست مناسبة:


- الزجاج
- البورسلين
- الفخار
- الصلب أو الألمونيوم أو النحاس بدون قاع مغناطيسي

للتأكد من أن المقلاة مناسبة، ما عليك سوى وضع القليل من الماء في المقلاة ووضعها على منطقة الطهي وتشغيل المنطقة.

إذا ظهر على الشاشة علامة  بدلاً من الطاقة، فهذا يعني أن المقلاة غير مناسبة. تأكد من أن مادة المقلاة مناسبة للحث. لفحص المادة، ضع مغناطيسًا في الجزء السفلي من المقلاة، إذا التصق، فإن المقلاة مناسبة للحث.

الموقد الحثي

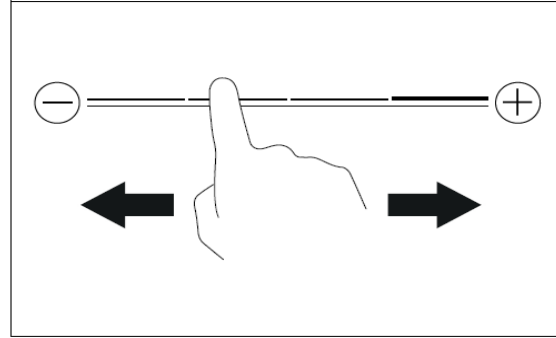
استخدام المؤقت

- يمكنك ضبطه لإيقاف منطقة طهي واحدة بعد انتهاء الوقت المحدد.
- يمكنك ضبط المؤقت لمدة تصل إلى ٩٩ دقيقة.
- (1) قم باختيار منطقة الطهي ذات الصلة التي تعمل عن طريق لمس مفتاح تحديد المنطقة.
- (2) قم بالضغط "+" أو "-"، ستظهر مؤشرات المؤقت ١ (الضغط +) أو ٠ (الضغط -).
- (3) قم باستخدام الأزرار "+" أو "-"، يمكنك تحقيق ضبط التوقيت من ١ إلى ٩٩ دقيقة.
- (4) عندما يتم ضبط الوقت، سيبدأ العد التنازلي على الفور. سيعود المؤشر لإظهار مستوى الطاقة بعد ١٠ ثواني. سوف يظل مؤشر مستوى الطاقة نشط دائماً وسوف تظهر علامة المؤقت .
- (5) إذا كنت بحاجة إلى التحقق من الوقت المتبقي، فيمكنك تشغيل الخطوة ١ والخطوة ٢ مرة أخرى.
- (6) عند انتهاء مؤقت الطهي، سيتم إيقاف تشغيل منطقة الطهي المقابلة تلقائياً. ستستمر مناطق الطهي الأخرى في العمل إذا تم تشغيلها مسبقاً.

استخدام وظيفة المنطقة المرنة

لتفعيل وظيفة المنطقة المرنة:

(3) وفقاً لمنطقة التسخين التي تم وضع المقلاة عليها، اضبط إعداد الحرارة عن طريق لمس شريط التمرير الذي ينظم مفتاح التحكم.



الشكل رقم ١٦

- إذا لم تقم باختيار إعداد الحرارة خلال ٢٠ ثانية، فسيتم إيقاف تشغيل موقد الحث تلقائياً. سوف تحتاج إلى البدء مرة أخرى في الخطوة ٢.
- يمكنك تعديل إعدادات الحرارة في أي وقت أثناء الطهي.

استخدام وظيفة القفل ضد الأطفال

- يمكنك قفل عناصر التحكم لمنع الاستخدام غير المقصود (على سبيل المثال، قيام الأطفال بتشغيل مناطق الطهي عن طريق الخطأ).
- عند قفل عناصر التحكم، يتم تعطيل جميع عناصر التحكم باستثناء مفتاح التحكم (إيقاف التشغيل).

لقفل عناصر التحكم

1) اضغط في نفس الوقت على أي مكان على الجانب الأيسر والأيمن من شريط التمرير. على سبيل المثال، اضغط على المستوى ١ على الجانب الأيسر والمستوى ٨ على الجانب الأيمن. سيتم عرض علامة NU للإشارة إلى تنشيط الوظيفة.

2) بعد ظهور أيقونة المنطقة المرنة، ستتحول الشاشة إلى المستوى ٥ تلقائيًا. بمجرد ظهور المستوى ٥، يمكنك ضبط المستوى المطلوب بمجرد لمس شريط التمرير.

3) إذا كنت ترغب في إلغاء وظيفة المنطقة المرنة، فاضغط على شريطي التمرير للمنطقة اليمنى واليسرى في وقت واحد وسيتم إعادة تعيين المناطق إلى الصفر.

استخدام منطقة التعزيز والتعزيز المزدوج

- يمكنك استخدام وظيفة التعزيز/التعزيز المزدوج بالضغط على مفتاح التعزيز
- قم بلمس مفتاح التعزيز مرة واحدة، ستظهر منطقة العرض p، للإشارة إلى أن الموقد قد دخل في وضع التعزيز. بعد الدخول في وضع التعزيز، المس مفتاح التعزيز مرة أخرى، ستظهر منطقة العرض b، للإشارة إلى أن الموقد قد دخل في وضع التعزيز المزدوج.

قم بلمس مفتاح القفل ضد الأطفال لمدة ٣ ثوانٍ. سيتم تشغيل المؤشر الموجود أعلى مفتاح القفل ضد الأطفال وسيظهر مؤشر المؤقت "LO".

لفتح عناصر التحكم

- 1) التأكد من تشغيل الموقد.
- 2) قم باللمس مع الاستمرار مفتاح التحكم في قفل المفاتيح لفترة من الوقت.
- 3) يمكنك الآن البدء في استخدام موقد الحث الخاص بك.

ملاحظة



عندما يكون الموقد في وضع القفل، يتم تعطيل جميع عناصر التحكم باستثناء إيقاف التشغيل، ويمكنك دائمًا إيقاف تشغيل الموقد باستخدام مفتاح التحكم في إيقاف التشغيل في حالة الطوارئ، ولكن يجب عليك إلغاء قفل الموقد أولاً في العملية التالية.

وظائف خاصة

استخدام وظيفة الإيقاف المؤقت والاستعادة

الحماية من الحرارة الزائدة


يقوم المستشعر بمراقبة درجة الحرارة في مناطق الطهي. عندما تتجاوز درجة الحرارة المستوى الآمن، يتم إيقاف تشغيل منطقة الطهي تلقائيًا.


يمكن استخدام وظيفة الإيقاف المؤقت في أي وقت أثناء الطهي. يسمح بإيقاف الموقد واستعادة الطهي دون فقدان أي تعديلات.

(1) قم بالتأكد من تشغيل منطقة الطهي.

مؤشر الحرارة المتبقية

عندما يعمل الموقد لبعض الوقت، ستكون هناك بعض الحرارة المتبقية. يبدو أن الحرف H يحذرك من أن الجو حار جدًا بحيث لا يمكنك لمس السطح.

(2) قم بالضغط على الزر  ستظهر مؤشرات

منطقة الطهي  سيتم إلغاء تنشيط الموقد، باستثناء الإيقاف المؤقت والاستعادة، والتشغيل/الإيقاف، والقفل ضد الأطفال.

الكشف التلقائي عن الإناء

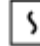
عند وضع المقلاة على منطقة الطهي المرغوبة، سيضيئ مؤشر الطاقة المحدد تلقائيًا

(3) لإلغاء الإيقاف المؤقت، اضغط على زر الإيقاف المؤقت والاستدعاء مرة أخرى؛ ستبدأ المؤشرات في الوميض، ثم اضغط خلال ١٠ ثوانٍ على أي زر (بخلاف زر الإيقاف المؤقت والاستدعاء) لإعادة تنشيط المناطق قيد التشغيل.

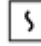
حدود الطاقة


استخدام وظيفة الطهي

تعمل وظيفة تحديد الطاقة على ضبط سحب طاقة الجهاز مع الطاقة الكهربائية المتوفرة في المنزل. لتفعيل الوظيفة اتبع الخطوات التالية:

قم بلمس زر تحديد منطقة الطهي الذي ترغب في استخدامه، ثم المس  سيظهر مؤشر منطقة الطهي أحد الأيقونات الموجودة أدناه لكل وظيفة طهي:


(1) قم بالضغط على  لمدة ٣ ثواني. ستظهر الشاشة —.

(2) اضغط في نفس الوقت على مفتاح وظيفة الطهي  في منطقة التسخين الخلفية

•  الذوبان أو إزالة التجميد (حوالي ٥٠ درجة مئوية)



اليسرى و  تظهر الشاشة

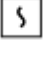
•  التسخين أو الحفاظ على السخونة (حوالي ٧٠ درجة مئوية)


- ينضج بدرجة حرارة قريبة من الغليان، وهو مفيد للطهي البطيء

3) قم بالضغط على  سوف تظهر الشاشة

88


4) اضغط في نفس الوقت على مفتاح وظيفة

الطهي  في منطقة التسخين الخلفية

اليسرى و  ستعرض الشاشة قيم إعداد الطاقة القصوى الحالية ٧٢/٦٠/٤٥/٢٨".

5) اضغط على مفتاحي "-" أو "+"، لتغيير وإعادة

ضبط الطاقة المتوقعة ٩٠٠٠ واط / ٣٥٠٠ واط / ٢٨٠٠ واط.

قم بالضغط على  لحفظ الإعداد والخروج من هذا الوضع.

يعد الإغلاق التلقائي إحدى وظائف الحماية الخاصة بالسلامة لموقد الحث الخاص بك. يتم إيقاف تشغيله تلقائيًا إذا نسيت إيقاف تشغيل الطهي. يتم عرض أوقات العمل الافتراضية لمستويات الطاقة المختلفة في الجدول أدناه:

مستوى الطاقة	مؤقت العمل الافتراضي (الحد الأدنى)
٣-١	٣٦٠
٦-٤	١٨٠
٨-٧	١٢٠
٩	٩٠

ملاحظة



الحماية ضد التشغيل غير المقصود.

إذا اكتشف جهاز التحكم الإلكتروني وجود زر يتم الضغط عليه لمدة ١٠ ثواني تقريباً سيتم إيقاف تشغيله تلقائيًا. يرسل نظام التحكم إشارة خطأ مسموعة للتحذير من أن أجهزة الاستشعار قد اكتشفت وجود جسم ما. ستشير الشاشة إلى رمز الخطأ ERO3. إذا كان الموقد لا يزال ساخنًا، تومض الشاشة H و O بالتناوب.

الرعاية والصيانة

الموقد الحثي	تحذير
<p>قبل البدء في التنظيف، اترك الموقد ليبرد حتى ينطفئ ضوء التحذير من الحرارة.</p> <p>لا تستخدم المعاجين أو المساحيق الكاشطة أو الإسفنج المعدني. يجب إزالة كافة بقايا الماء والطعام والمنظفات قبل إعادة الاستخدام.</p> <p>قم بإزالة الأوساخ الخفيفة بقماش ناعم مغموس في الماء والمنظفات ومن ثم التلميع بقماش من الألياف الدقيقة.</p> <p>بالنسبة للبقع العنيدة، قم باستخدام منتجًا محددًا، مع اتباع تعليمات الشركة المصنعة للاستخدام.</p> <p>في حالة انسكاب المواد شديدة السكر (مثل المرابي) أو في حالة ذوبان البلاستيك أو المعادن عن طريق الخطأ على السطح، قم بإيقاف تشغيل الموقد وإزالة الأوساخ على الفور، مع توخي الحذر الشديد لأن الموقد والأوساخ سيكونان ساخنين للغاية.</p>	<p>قم دائمًا بإيقاف تشغيل مصدر الكهرباء قبل إجراء أعمال الصيانة. في حالة حدوث خطأ، اتصل بخدمة العملاء.</p> <p>قم دائمًا بفصل الجهاز عن التيار الكهربائي قبل التنظيف.</p> <p>لا تقم باستخدام منظفات البخار عند التنظيف</p> <p>كابلات الطاقة متضررة ويجب استبدالها من قبل شخص مختص أو كهربائي مؤهل</p> <p>لا تستخدم المنزل فقط</p> <p>لا تقم أبدًا بوضع مقلاة فارغة على الموقد حيث أن ذلك سوف يسبب ظهور رسالة خطأ على لوحة التحكم</p>
<p>قم بالتنظيف باستخدام قماش ناعم مبلل بالماء الساخن مع المنظفات السائلة. قم بالتجفيف بقماش من الألياف الدقيقة.</p>	<p>عند تشغيل منطقة الطهي لفترة طويلة، يظل السطح ساخنًا لبعض الوقت بعد ذلك، لذا لا تلمس سطح السيراميك.</p>
<p>يمكن إزالة البقع العنيدة بمنظف كريم. لا تستخدم أي اجسام حادة حيث أنها قد تخدش الزجاج</p>	<p>بالنسبة للأطعمة المغلقة، يرجى عدم تسخينها قبل فتحها وإزالة الغطاء لتجنب أي مخاطر انفجار بسبب تمدد التسخين.</p>

في حالة تشقق سطح الموقد، قم بفصل مصدر الطاقة لتجنب أي احتمال لحدوث صدمات كهربائية.



لا تضع أواني خشنة أو غير مستوية على الموقد، لأنها قد تلحق الضرر بسطح السيراميك.



تجنب تصادم الأواني والمقالي على الموقد. سطح السيراميك قوي ولكنه قابل للكسر.

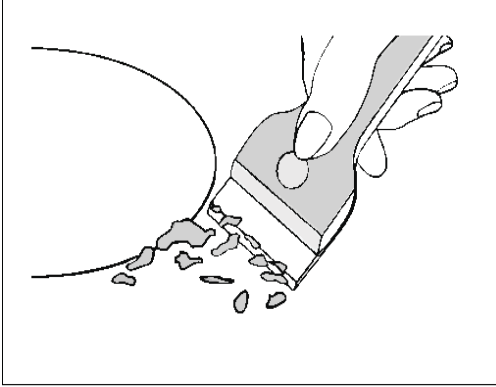


لا تضع المنظفات أو المواد القابلة للاشتعال تحت الموقد.



الرعاية والصيانة

تنظيف الجهاز



الشكل رقم ١٧

تنبيه



تجنب الاحتكاك بأي مادة كاشطة أو بقاعدة المقالي، وما إلى ذلك، حيث سيؤدي ذلك إلى اختفاء العلامات الموجودة على الجزء العلوي من الموقد الحثي بمرور الوقت.

تنبيه



قم بتنظيف الموقد الحثي على أساس منتظم لمنع تراكم الأطعمة المتبقية

• يجب تنظيف الجهاز بعد الاستخدام.

• يمكن تنظيف سطح الموقد الحثي بسهولة كما هو موضح في الجدول أدناه.

باستخدام مكشطة، قم على الفور بإزالة أي قطع من رقائق الألومنيوم أو انسكاب الطعام أو بقع الشحوم أو علامات السكر وغيرها من الأطعمة التي تحتوي على نسبة عالية من السكر من على السطح لتجنب إتلاف الموقد. بعد ذلك، نظف السطح بمنشفة ومنتج مناسب، ثم اشطفه بالماء وجففه بقطعة قماش نظيفة. لا ينبغي بأي حال من الأحوال استخدام الإسفنج أو الأقمشة الكاشطة، وتجنب أيضًا استخدام المنظفات الكيميائية العدوانية مثل بخاخات الفرن ومزيلات البقع.

مواد التنظيف

طريقة التنظيف

نوع الأوساخ

منظف خاص للسيراميك	قم بوضع الخل الأبيض على السطح، ثم قم بمسحه مع التجفيف بقماش ناعم	الترسبات الجيرية
منظف خاص للسيراميك	التنظيف بقماش رطب مع التجفيف بقماش ناعم	البقع المحروقة
إسفنج التنظيف	التنظيف بقماش رطب مع التجفيف بقماش ناعم	البقع الخفيفة
منظف خاص للسيراميك	قم باستخدام مكشطة مناسبة لزعج السيراميك لإزالة البقايا	البلاستيك الذائب

استكشاف الأخطاء وإصلاحها

في حالة ظهور أي شيء غير طبيعي، سيدخل الموقد الحثي إلى حالة الحماية تلقائيًا ويعرض رموز الحماية المقابلة الموضحة في الجدول أدناه.

تنبيه



لا تقم بتفكيك الوحدة بنفسك لتجنب أي مخاطر وأضرار قد تلحق بالموقد الحثي. إذا كانت هناك حاجة إلى مزيد من الخدمة، يرجى الاتصال بالمورد.

قبل الاتصال بخدمة العملاء، يرجى التأكد من توصيل الجهاز بشكل صحيح، أي من الحالات التالية لا يغطيها الضمان

- الأضرار الناجمة عن الاستخدام غير السليم أو التخزين أو الصيانة.
- الأضرار الناجمة عن التفكيك والإصلاح غير المصرح به.
- الأضرار الناجمة عن سوء الاستخدام.
- استخدام الموقد الحثي لأغراض تجارية.

رمز الخطأ	السبب المحتمل	ما يجب القيام به
	لا يوجد إناء أو الإناء غير مناسب	استبدال الإناء
ER03	الماء أو وعاء على الزجاج فوق التحكم	تنظيف واجهة المستخدم
F1E	فشل التوصيل بين لوحة العرض واللوحة الرئيسية اليسرى (منطقة الطهي التي يظهر مؤشرها E)	1) كابل التوصيل غير موصل بشكل صحيح أو معيب؛ 2) استبدال اللوحة الرئيسية.
F3E	فشل مستشعر درجة حرارة الملف (منطقة الطهي التي يظهر مؤشرها E)	استبدال مستشعر الملف
F4E	فشل مستشعر درجة حرارة اللوحة الرئيسية (منطقة الطهي التي يظهر مؤشرها E)	استبدال اللوحة الرئيسية
E1E	مستشعر درجة الحرارة على لوح الزجاج السيراميك عالي	برجاء إعادة التشغيل بعد أن يبرد الموقد الحثي
E2E	مستشعر درجة الحرارة الخاصة بـ IGBT عالي	برجاء إعادة التشغيل بعد أن يبرد الموقد الحثي
E3E	الجهد الكهربائي لمصدر الطاقة غير طبيعي (عالي جداً)	برجاء فحص ما إذا كان مصدر الطاقة غير طبيعي، قم بالتوصيل بمصدر الطاقة بعد أن يكون طبيعي
E4E	الجهد الكهربائي لمصدر الطاقة غير طبيعي (منخفض جداً)	برجاء فحص ما إذا كان مصدر الطاقة غير طبيعي، قم بالتوصيل

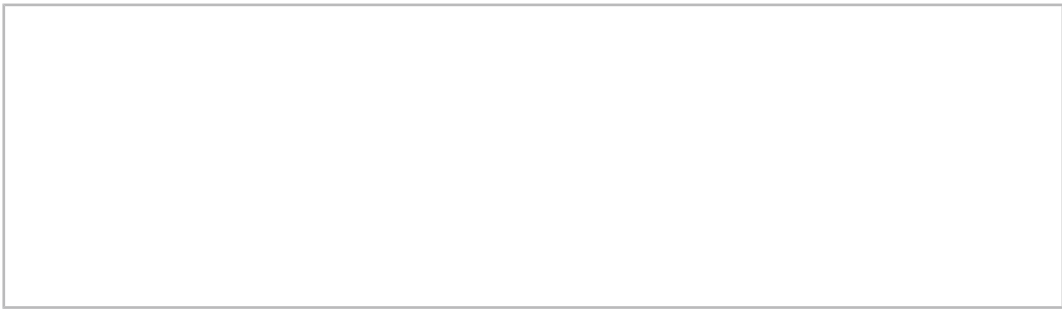
بمصدر الطاقة بعد أن يكون طبيعي		
كابل التوصيل غير موصل بشكل صحيح أو به عيب في التجميع؛	فشل مستشعر درجة الحرارة (منطقة الطهي التي يظهر مؤشرها E)	E5E



تلتزم بيرتازوني بتقديم أعلى مستوى من الخدمة لعملائنا. في حالة وجود عيب في التصنيع في منتجك، وهو أمر غير محتمل، يرجى الاتصال بفريق الخدمة لدينا على:

<https://uk.bertazzoni.com/more/care-service>

سُيطلب منك تقديم معلومات المنتج وإثبات الشراء وصورة لملصق البيانات الفضي ووصف المشكلة. يرجى أن تكون هذه المعلومات جاهزة.



www.bertazzoni.com
Via Palazzina, 8,
42016 Guastalla RE

© 2024 BERTAZZONI. All rights reserved.

P604I2M28NVS_v.02