

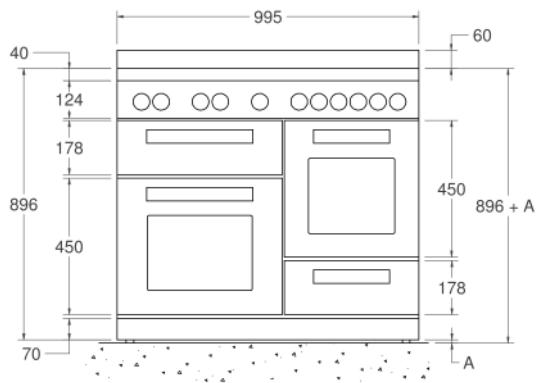
MAS106L3EXC

100 CM - Master FS Cookers - Inox

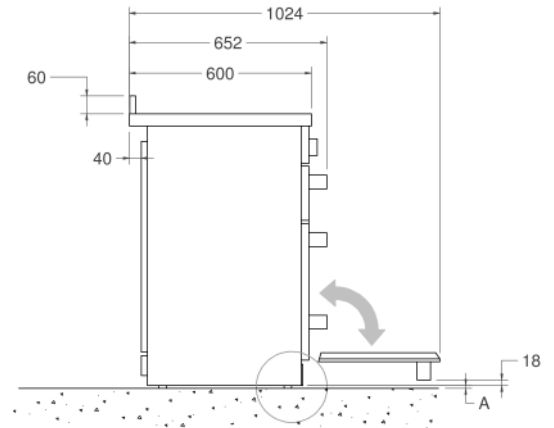


DIMENSIONS

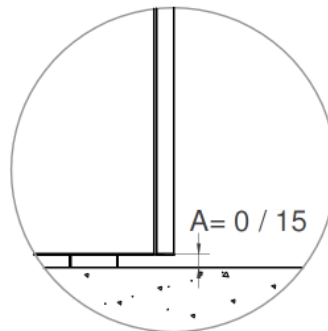
FRONT VIEW



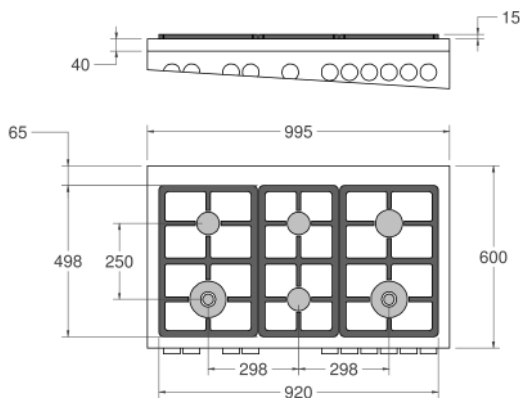
SIDE VIEW



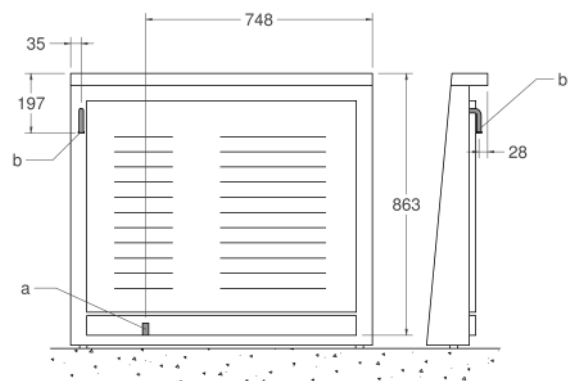
LEG DETAILS



WORKTOP DETAILS



REAR VIEW



NOTE

InstDrw-NOTE141-Elettrico
InstDrw-NOTE142-Gas

Disclaimer: while every effort has been made to insure the accuracy of the information contained in this document, Fratelli Bertazzoni reserves the right to change any part of the information at any time without notice. For detailed installation specifications consult the installation manual. Fratelli Bertazzoni, Bertazzoni and the winged wheel brand icon are registered trademarks of Bertazzoni Spa.