



---

<b>EN</b>	<b>INSTALLATION MANUAL USER AND MAINTENANCE MANUAL</b> WINE COLUMN RWC60B4DNRP	<b>3</b>
<b>IT</b>	<b>MANUALE D'INSTALLAZIONE MANUALE D'USO E MANUTENZIONE</b> CANTINA VINI RWC60B4DNRP	<b>31</b>
<b>FR</b>	<b>MANUEL D'INSTALLATION MANUEL D'UTILISATION ET D'ENTRETIEN</b> COLONNE RANGE BOUTEILLES RWC60B4DNRP	<b>61</b>
<b>NL</b>	<b>INSTALLATIEHANDLEIDING GEBRUIKS- EN ONDERHOUDSHANDLEIDING</b> WIJNKOELER RWC60B4DNRP	<b>91</b>
<b>SV</b>	<b>INSTALLATIONSHANDBOK BRUKS- OCH UNDERHÅLLSHANDBOK</b> VINKYL RWC60B4DNRP	<b>121</b>

---



### **FROM THE DESK OF OUR PRESIDENT**

Dear new owner of a Bertazzoni appliance,

I want to thank you for choosing one of our beautiful products for your home.

My family started manufacturing kitchen appliances in Italy in 1882, building a reputation for quality of engineering and passion for good food.

Today, our products stand out because of their unique blend of authentic Italian design and superior appliance technology. It is our mission to make products that function perfectly and bring joy to their owners.

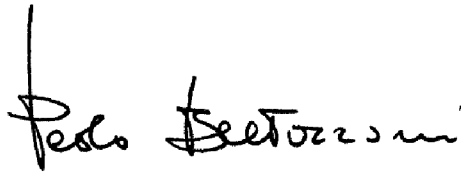
By making beautiful products we respond to our customers' flair for good design. By making them versatile and easy-to-use, cooking with Bertazzoni becomes a real pleasure.

This manual will help you learn to use and care for your Bertazzoni appliance in the safest and most effective way, so that it can give you the highest satisfaction for years to come.

Enjoy!

Paolo Bertazzoni

President

A handwritten signature in black ink that reads "Paolo Bertazzoni". The signature is written in a cursive style with a vertical line extending upwards from the start of the name.



## **USER MANUAL VALIDITY**

The following manual is valid only for **RWC60B4DNRP** product code.

# CONTENTS

---

IMPORTANT SAFETY AND ENVIRONMENTAL INFORMATION	7
GENERAL INFORMATION	7
MANUAL INFORMATION	7
SAFETY INFORMATION	8
CARING FOR THE ENVIRONMENT	10
CONFORMITY	10
ENERGY SAVING	10
MOVING THE APPLIANCE	11
SPECIFICATIONS	12
APPLIANCE DESCRIPTION	12
TECHNICAL SPECIFICATIONS	12
ROOM TEMPERATURE	12
INSTALLATION	13
INSTALLATION INSTRUCTIONS	13
PREPARING FOR INSTALLATION	13
ELECTRICAL REQUIREMENTS	13
VENTILATION	14
PRODUCT DIMENSIONS	15
CABINET DIMENSIONS	16
INSTALLATION INSTRUCTION	17
REMOVING THE SHELVES	18
USER AND MAINTENANCE	19
USE	19
BEFORE FIRST USE	19
INTERNAL STORAGE	20
RECOMMENDATIONS FOR STORING AND SERVING WINE	21
CONTROL PANEL	24
CARE AND MAINTENANCE	27
LED LIGHT REPLACEMENT INSTRUCTIONS	27
CLEANING THE INTERIOR SURFACES	27
DEFROSTING	27
NOISES AND MEANING	27
POWER FAILURE	27
TROUBLESHOOTING	28
ERROR CODES	29
WARRANTY	30
WARRANTY AND SERVICE	30

# IMPORTANT SAFETY AND ENVIRONMENTAL INFORMATION

---

## GENERAL INFORMATION

### MANUAL INFORMATION

These instructions are suitable for different types of appliances, so they may contain descriptions of functions which your appliance may not include or support.

The images and illustrations in this document refer to various models and may differ slightly from the product purchased.

The manufacturer does not accept any liability for personal injury or damage to property arising from incorrect installation or misuse of the appliance.

The manufacturer reserves the right to modify the various models as required to comply with the technical regulations in force.

In the event of complaints, please contact customer service. Read the instructions provided in this manual thoroughly before installing and/or using the appliance. This will help you get to know your new appliance. Keep this document at hand so that you can consult it at any moment, and pass it on to any subsequent owners.

Read the safety messages provided in the introduction to this manual and give due consideration to the safety notes, such as: "Attention", "Warning" and "Danger" which appear in the text.

The Model, Sales Code and Serial Number are printed on the nameplate. Refer to the Specifications section of this manual for nameplate location.



### NOTE

You are advised to make a note of the appliance's data and serial numbers so they are immediately available if required.



### NOTE

State the information provided on the nameplate to improve the efficiency of the after-sales and parts services. For warranty purposes, you will also need the date of installation and name of your authorized Bertazzoni dealer.



### WARNING

When using your appliance, follow basic precautions. Read all instructions before using the appliance. Save these instructions and pass them on to any future user.



### DANGER

This symbol indicates a situation that is a danger to you and others. Read it carefully and make sure that you have perfectly understood the causes of potential dangerous or fatal accidents.



### WARNING

This symbol indicates safety information. Read it carefully and make sure that you have perfectly understood the causes of potentially dangerous accidents.



### CAUTION

This symbol indicates a procedure which could put the appliance's structure or components at risk. Take particular care over these procedures.



### NOTE

This symbol highlights methods or procedures for correct use of the appliance.

# IMPORTANT SAFETY AND ENVIRONMENTAL INFORMATION

---

## SAFETY INFORMATION

This appliance is intended to be used in residential and other similar applications, such as:

- Staff kitchen areas in shops, offices and other working environments;
- In farm houses and by guests at hotels, motels and other residential type environments;
- Bed and breakfast type environments;
- Catering and similar non-retail applications.

It must not be used in any way other than that which it is intended. It must be used only for storing wine.

The manufacturer shall not be held liable for any damages resulting from improper use or transport.

Original spare parts will be available for 10 years following the product's purchase date.

## AVOIDING PLACING CHILDREN AND VULNERABLE PEOPLE AT RISK

This appliance is not intended for use by individuals (including children) with reduced physical or sensory capabilities or lack of experience and knowledge unless they are supervised or have been given instruction concerning the use of the appliance by a person responsible for their safety.

Children should be supervised to ensure that they do not play with the appliance.

Cleaning and care should not be performed by children unless they are supervised by an adult.

Keep the appliance and its cord out of reach of children who are less than 8 years old.

## RISK OF ELECTRIC SHOCK

- Make sure the appliance is unplugged during installation, maintenance, cleaning, and repairs.
- When installing the appliance, ensure that the mains cable is not trapped or damaged.
- If the power cord of this appliance is damaged, it must be replaced by the manufacturer, customer service or a similarly qualified person. Improper installations and repairs may put the user at considerable risk.
- Plug the appliance into a grounded socket that is protected by a fuse and that corresponds to the value on the product's nameplate. The appliance should not be plugged into a GFCI protected outlet.

Have a qualified electrician ground the appliance. Our company cannot be held responsible for damages resulting from a failure to use the appliance with a grounded socket pursuant to local regulations.

- Do not use an adapter. Do not use an extension cord.

- Do not plug in the refrigerator if the wall socket is loose. Do not pull on the cable to unplug the appliance.
- Unplug the appliance if you encounter a malfunction during use. If the unit malfunctions, it must not be used until it has been repaired by an Authorized Service Provider. The manufacturer cannot be held responsible for damages arising from procedures performed by unauthorized persons.
- Never wash the appliance by pouring, daubing, or spraying water onto it. Never touch the plug with wet hands.
- Never use steam or steam cleaners to clean or defrost the refrigerator. Steam can cause a short circuit or electric shock if it comes into contact with your refrigerator's electrical components.
- Never connect your refrigerator to an energy saving device. Such systems are harmful to your appliance.

## RISK OF EXPLOSION

- Do not use electrical appliances of any kind inside of the food storage compartments.
- Do not use mechanical devices or other means to accelerate the defrosting process; use only those recommended by the manufacturer.
- Do not store explosive substances, such as aerosol cans with a flammable propellant, inside this appliance.
- Bottles containing beverages with a high alcohol content must be tightly closed and stored vertically.

## RISK OF INJURY

- Do not put carbonated beverages or liquids in tins or glass containers in the freezer compartment. They may burst.
- Never use refrigerator components such as the door or drawers as means of support or as steps. This may cause the appliance to tip over or damage it.
- Do not sit on the appliance and do not place heavy objects on top of the appliance.
- Do not sit or lean on the door or on any open drawers. Do not put pressure on the door or use it to move the appliance.
- Do not overload the refrigerator. Objects in the refrigerator may fall when the door is opened, causing injury or property damage.
- Do not place your hands or any other body part in the moving parts of the refrigerator (i. e., automatic ice maker).

## RISK OF SUFFOCATION

- Packaging materials can be hazardous to children. Do not allow children to play with plastic bags, plastic film, or polystyrene.
- If there is a lock on the door of the appliance, the key should be kept out of reach of children.

# IMPORTANT SAFETY AND ENVIRONMENTAL INFORMATION

---

## RISK OF FOOD POISONING

- Store raw meat and fish in the refrigerator in appropriate containers so that it does not come into contact with or drip onto other foods.
- Avoid leaving the door open for long periods of time, as this can cause the temperature inside the appliance compartments to rise significantly.
- Regularly clean surfaces that may come in contact with food and accessible drainage systems.
- If the refrigerator is to be left unused for an extended period of time, turn it off, defrost, clean, dry, and leave the door open to prevent mold from growing inside the appliance.

## FIRE HAZARD / ISOBUTANE WARNING



The refrigerant circuit of the appliance contains isobutane (R600a), a natural gas with a high level of environmental friendliness, but which is nevertheless flammable.

During transport and installation of the appliance, take care not to damage any of the components of the refrigerant circuit.

If the refrigerant circuit should become damaged:

- avoid naked flames and sources of ignition.
- thoroughly ventilate the room in which the appliance is located.



### NOTE

If the appliance is damaged or if you see a gas leak, please keep away from the gas. It may cause ice burn if it comes into contact with the skin.



### NOTE

The type of gas used in the product is listed on the rating label, which is located on the left interior wall of the refrigerator.



## CAUTION

- Do not damage areas where refrigerant is circulating with drilling or cutting tools. If the gas ducts in the evaporator, the tubing extensions or the surface coatings are punctured, the refrigerant could blow out, causing skin irritation and eye injuries. Do not use pointed or sharp-edged implements to remove frost or layers of ice. You could damage the refrigerant tubes. Leaking refrigerant may cause eye injuries or ignite.
- Never attempt to extinguish a flame/fire with water: turn off the appliance and cover the flame with a fireproof blanket.
- Do not cover or allow any object to block the ventilation openings in your refrigerator.

# IMPORTANT SAFETY AND ENVIRONMENTAL INFORMATION

## CARING FOR THE ENVIRONMENT



This appliance complies with European directive 2012/19/EU (RoHS).

This appliance is tagged in accordance with European directive 2012/19/EC regarding waste electrical and electronic equipment (WEEE).

This directive contains the regulations governing the collection and recycling of decommissioned appliances throughout the European Union.



The symbol of a waste bin with a cross over it which appears on the product indicates that Waste Electrical and Electronic Equipment (WEEE) must not be thrown away with ordinary urban waste but must be disposed of separately, so it can undergo special processing to enable its reuse or specific treatment for safe removal and disposal of any substances harmful to the environment and extraction of raw materials which can be recycled.

Therefore, WEEE must be delivered to Recycling Centres run by Municipal Authorities or Waste Management Companies. What's more, when a new appliance is purchased WEEE can be consigned to the retailer, who is obliged to take it back free of charge ("1:1" take-back). "Very small" WEEE (with no dimension exceeding 25 cm) can be consigned to retailers free of charge even when no purchase is made ("0:1" take-back - which however is only compulsory for stores with sales area of over 400 m<sup>2</sup>).

Pay special attention to correct disposal procedures for all the packaging materials. Before disposal:

- Disconnect the mains power supply.
- Unplug the appliance and cut the power cord.
- Avoid damaging the refrigeration circuit during disposal.



### WARNING

Please ensure that old and worn-out appliances are rendered unusable before disposal by removing the plug, cutting the power cord and removing or destroying the clips or snap bolts. This will prevent children from locking themselves in the appliance during play (risk of suffocation) or endangering their lives in any other way.

The unit you have purchased conforms to the EU RoHS Directive (2011/65/EU). It does not contain materials specified in the Directive as harmful or prohibited. This

appliance does not contain hazardous substances for the atmospheric ozone layer, neither in the refrigeration circuit nor in the insulation.

Our appliances are packaged in non-polluting and recyclable materials in accordance with National Environmental Regulations:

- Dispose of packaging in an environmentally friendly manner.
- Please ask your dealer to inquire at your local authority about current means of disposal.

For Ecodesign tests, the installation and set-up of the appliance must comply with standard EN 62552.

- Ventilation requirements, dimensions and minimum space from the rear wall are provided in the Installation Manual.
- Contact the manufacturer for additional information.

## CONFORMITY

By placing the **CE** mark on this product, we are confirming compliance with all relevant European safety, health and environmental requirements which are applicable to this product by law.

## ENERGY SAVING

For optimal energy saving, we recommend the following:

- Install the appliance away from heat sources, out of direct sunlight and in a well-ventilated room.
- Do not overfill the compartments, as this prevents air from circulating properly.
- In the event of an electrical power failure, it is advisable to keep the refrigerator door closed.
- Open the appliance doors as infrequently and for the briefest amounts of time possible.
- Ensure that the unit is adequately ventilated. Never cover air vents.
- Never cover shelves with aluminum foil or any other shelf material which may prevent air circulation.
- Should the appliance be left empty for long periods of time, it is advisable to unplug it and, after thorough cleaning, to leave the door ajar to allow air to circulate inside the cabinet in order to prevent the formation of condensation, mould or odours.

# IMPORTANT SAFETY AND ENVIRONMENTAL INFORMATION

---

## MOVING THE APPLIANCE

Should you need to relocate your appliance, take the following precautions:

- Remove all items from the unit.
- Securely tape down all loose items (e.g. shelves) inside the appliance.
- Turn the adjustable feet at the base clockwise until they are fully raised to avoid damaging them.
- Tape the door shut.
- Ensure the appliance remains in an upright position during transport.
- Protect the outer glass door with a blanket or similar during transport.

# SPECIFICATIONS

## APPLIANCE DESCRIPTION

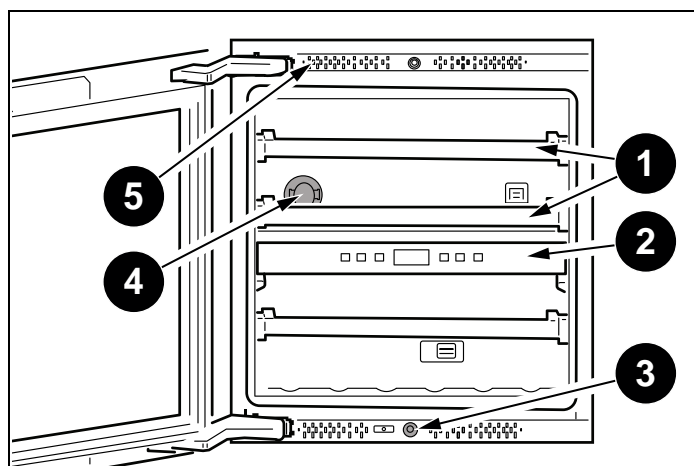


Fig. 1

## TECHNICAL SPECIFICATIONS

ELEMENT	DESCRIPTION
Plug type	SCHUKO
Voltage	220 V – 240 V
Frequency	50 Hz
Fuse	10 A
Amperage	0.6 A
Capacity	24 Bordeaux bottles

Refrigerant, volume and further technical specifications can be found on the rating plate.

## ROOM TEMPERATURE

The permitted room temperature depends on the climate class:

CLIMATE CLASS	PERMITTED ROOM TEMPERATURE
SN (Sub Normal)	+ 10 °C to + 32 °C
N (Normal)	+ 16 °C to + 32 °C
ST (Sub Tropical)	+ 16 °C to + 38 °C
T (Tropical)	+ 16 °C to + 43 °C

Information on the climate class can be found on the rating plate.

The normal operation of the wine cooler may be affected in an environment above or below the optimal room temperature range. For example, when the wine cooler is operated in an extremely cold or hot environment, the temperature inside the cabinet will fluctuate and sometimes fail to reach the set temperature range of 5-20°C. In high humidity seasons, some condensation may appear on the outer surface of the wine cooler, which will disappear when the humidity decreases. It is recommended to install the appliance in a dry and ventilated room or air-conditioned room.

- 1) Wine Shelf
- 2) Control Panel and Temperature Zone Divider
- 3) Electromagnetic Push to Open
- 4) Activated charcoal filter
- 5) Front ventilation

### NOTE



The figures in this user manual are schematic and may not match the product exactly. If your product does not have the parts described, the information applies to other models.

This unit is equipped with 3 temperature probes:

- 1 **NTC1** in the upper temperature zone
- 1 **NTC2** in the lower temperature zone
- an external temperature probe **NTC3**.

It is also equipped with four, 12V fans, 1 inverter compressor and 2 heating elements.

- **Upper Temperature Zone Fan:** FAN1
- **Middle Temperature Zone Fan:** FAN3
- **Lower Temperature Zone Fan:** FAN4
- **Compressor Fan:** FAN2

# INSTALLATION INSTRUCTIONS

## PREPARING FOR INSTALLATION

This appliance must not be installed close to heat sources, e. g. heating elements or cookers, or in a damp location.

Seek the help of one or two other individuals when installing this appliance. This appliance may have sharp edges. Wear PPE appropriate to the task and the environment.

- Use the height-adjustable feet at the front of the appliance to ensure that the appliance is level.
- The cooling system on the back of the appliance must not touch the rear wall. The larger the gap, the better.
- The appliance must be installed with adequate ventilation. Ensure that there is clearance above the appliance to allow air to escape and that there is space between the rear of the appliance and the wall.
- There must be no obstructions around the wine cooler or in the built-in structure, and ventilation must be maintained

Plug the appliance into an exclusive, easily accessible electrical socket.

Any questions concerning power and/or electrical connection should be directed towards a qualified electrician or an authorized products service center.

## ELECTRICAL REQUIREMENTS

The appliance must be installed to all electrical connections in accordance with state and local codes.



### CAUTION

Do not use extension cords or two-prong adapters and do not remove the ground terminal of the grounding cable.



### CAUTION

A qualified electrician must ensure that the poles of the socket are connected correctly.

Verify that the grounding of the socket is correct.



### WARNING

Do not connect the appliance to electronic energy saver plugs.

The socket must comply with the following data:

ELECTRICAL REQUIREMENTS	
Plug type	SCHUKO
Outlet	2-prong
Voltage	220 V – 240 V
Frequency	50 Hz
Fuse	10 A

After installation, wait at least 3 hours before connecting the appliance to the electrical power to avoid damaging the compressor.



### IMPORTANT

Do not use extension cords and/or multiple adapters for the power supply connection.

If the electrical wiring or the electric power supply of the house requires alteration, the necessary procedures must be performed by a qualified electrician.

Please heed the following rules:

- The electrical outlet or panel must be easily accessible in case of an emergency; it must not be hidden behind the product.
- The power supply connection should be easily disconnectable after the appliance has been installed.
- Neither the plug nor the cable may touch the back surface of the appliance. Otherwise, it may be damaged by the appliance's vibrations.
- To prevent accidental injury, the cord should be secured behind the appliance and not left exposed or dangling.

# INSTALLATION INSTRUCTIONS

---

- Do not connect other equipment plugs behind this appliance. If the humidity level is high where the appliance is being used, its exterior surfaces may become corroded. To prevent corrosion, keep the installation room dry and well-cleaned.

To prevent the risk of electric shock:

- Connect the plug to a grounded outlet.
- Do not remove plug's grounding prong.
- Do not use adapters.
- Do not use extension cords.



## CAUTION

Do not connect the grounding cable to the gas line. Please have the grounding checked by a qualified electrician if you are not sure about the grounding of the appliance. Do not install a fuse on the neutral line or on the grounding circuit.



## CAUTION

Failure to follow these instructions may result in fire, electric shock or death. Connecting the appliance's grounding conductor in the wrong place may lead to electric shock. Please have the grounding checked by a qualified electrician or service technician if you have any doubt about the proper grounding of the appliance. Installation, repairs and other procedures performed by unqualified persons may give rise to hazards. Before installing the appliance, make sure that the voltage, load and circuit current parameters on the data plate are in compliance with the power supply in your house.

## VENTILATION

The heat removed from the cooling compartment needs to be dissipated into the air around the appliance. Incorrect ventilation can lead to premature compressor failure, excessive power consumption and total system failure, and it may invalidate the warranty provided with the appliance.

This wine cooler has a front air outlet design. To ensure good ventilation, no other objects can be placed directly in front of the wine cooler.



## NOTE

The air vent at the front of the appliance must never be covered or blocked in any way.

# INSTALLATION INSTRUCTIONS

## PRODUCT DIMENSIONS

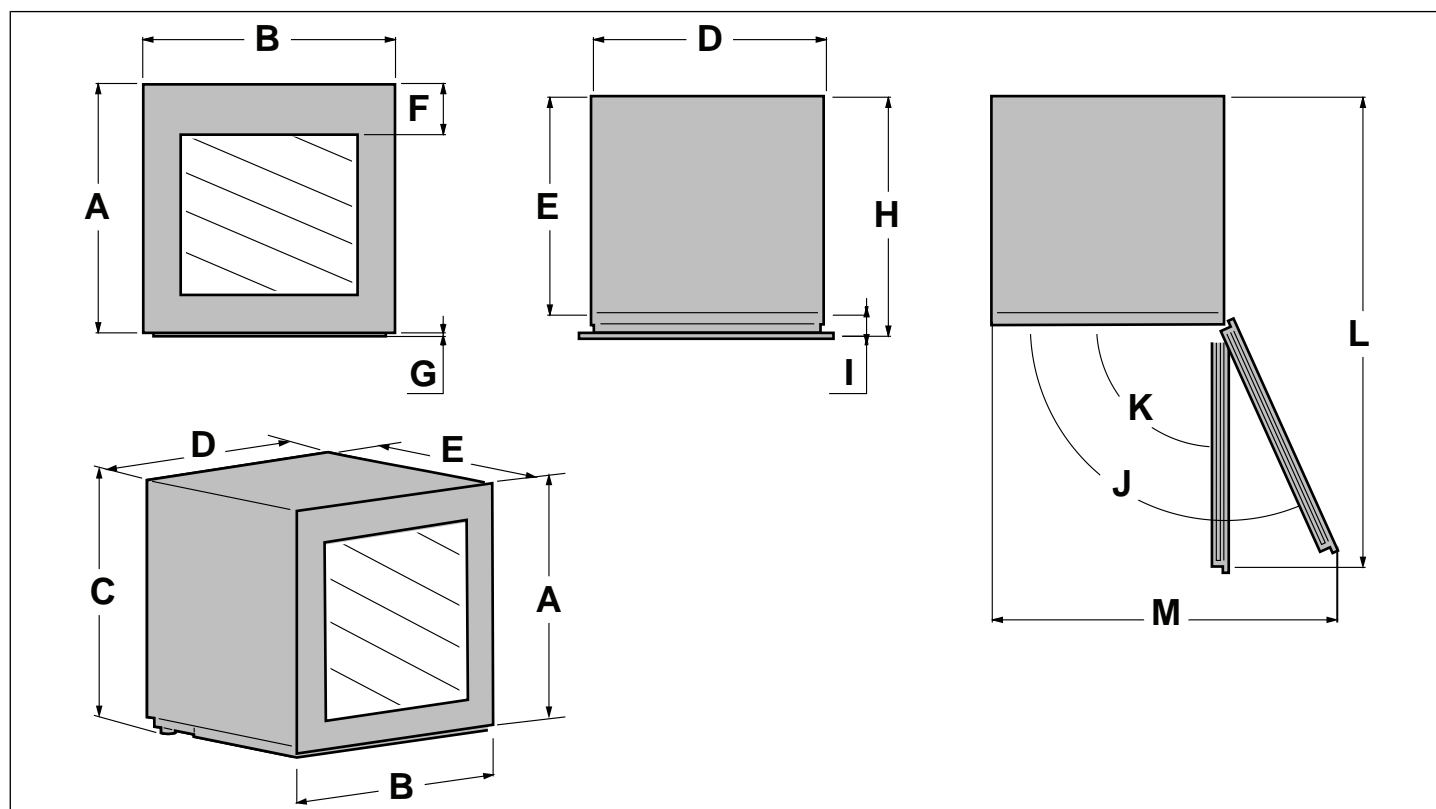


Fig. 2

A. 585 mm

B. 593 mm

C. 583 mm — 593 mm

D. 552 mm

E. 565 mm

F. 120 mm

G. 8 mm

H. 566 mm

I. 48 mm

J. 115°

K. 90°

L. 1150 mm

M. 770 mm

# INSTALLATION INSTRUCTIONS

## CABINET DIMENSIONS

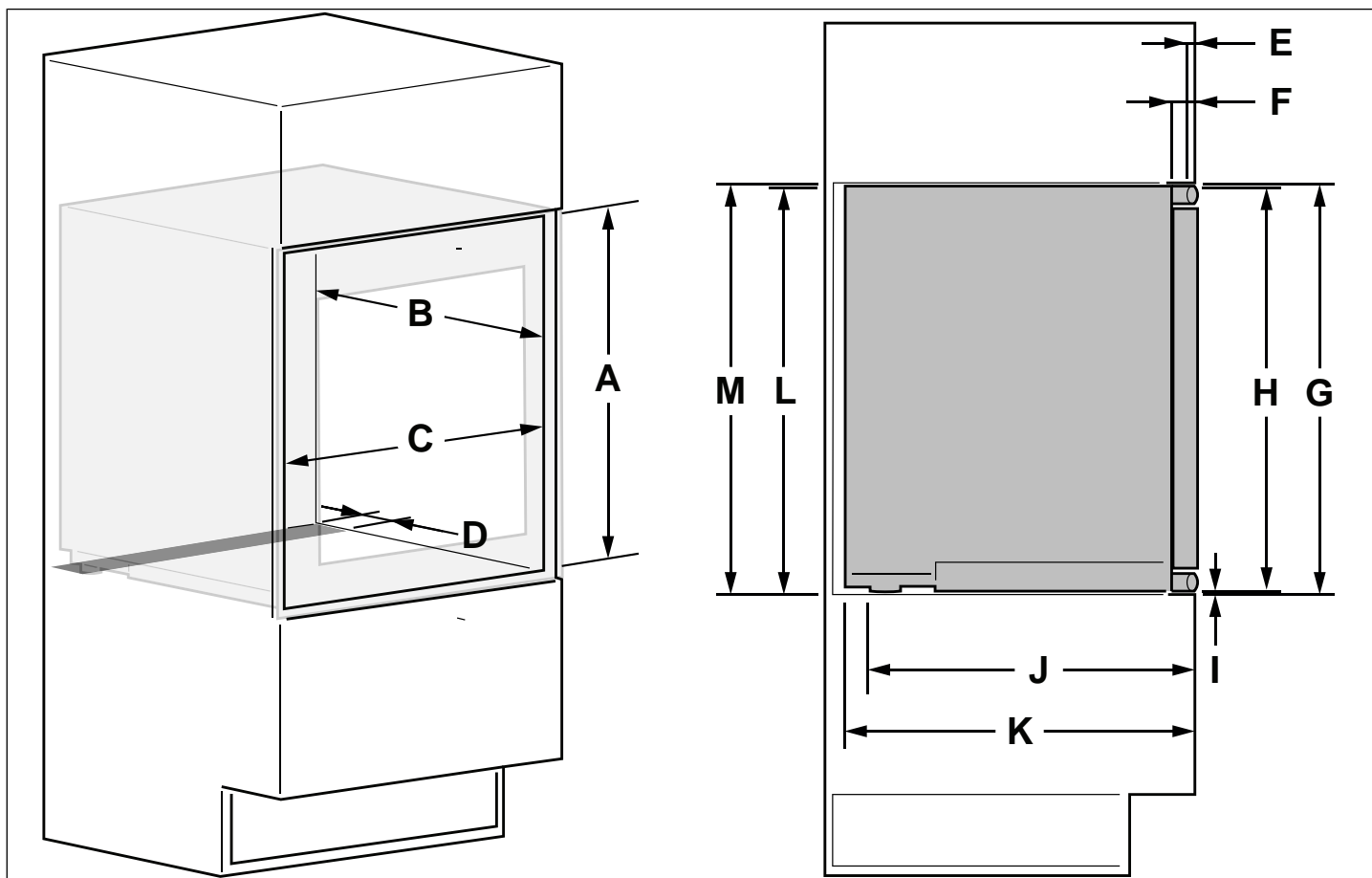


Fig. 3

**A.** 585 mm — 595 mm

**B.** Min. 560 mm

**C.** 560 mm — 590 mm

**D.** Max. 60 mm

**E.** Max. 25 mm

**F.** 48 mm

**G.** 593 mm

**H.** 585 mm

**I.** 8 mm

**J.** 506 mm

**K.** 565 mm

**L.** Min. 583 mm

**M.** Min. 585 mm

# INSTALLATION INSTRUCTIONS

## INSTALLATION INSTRUCTION



### NOTE

The appliance must be plugged in before installation.

- 1) Push the appliance into the wooden cabinet with the hinges against the cabinet.

Ensure that the glass wine cooler door is flush with the adjacent furniture doors.

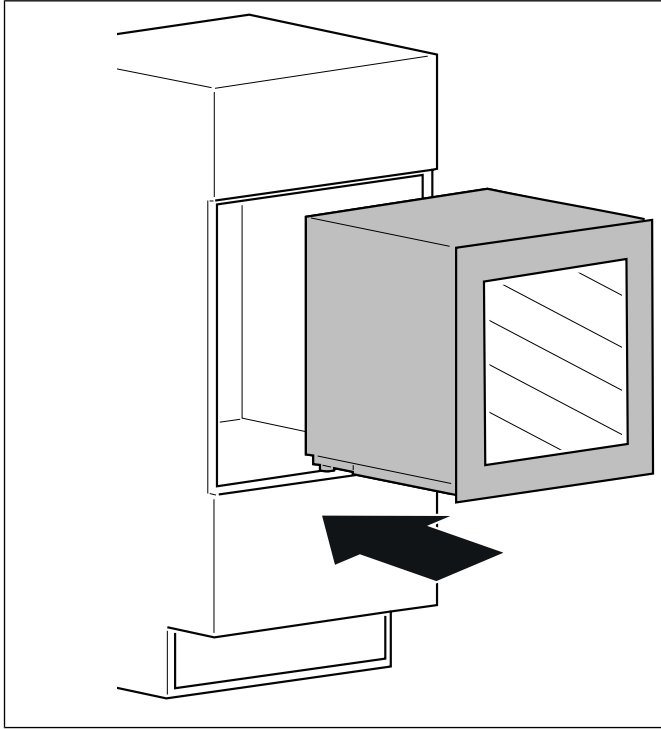


Fig. 4

- 2) Fix the wine cooler to the top of the cabinet niche with two screws on the upper metal plate.

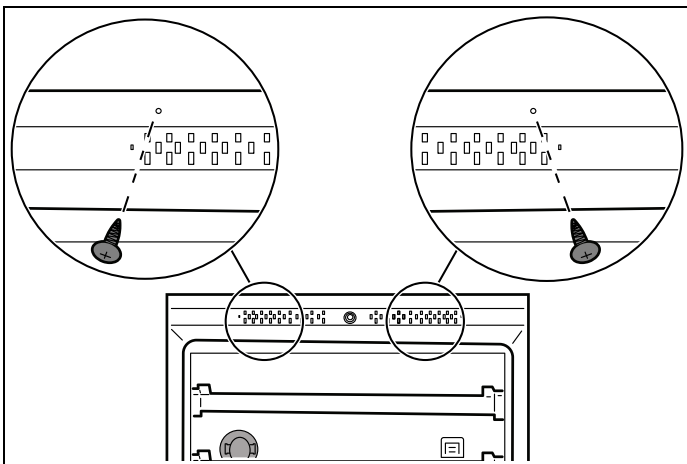


Fig. 5

- 3) Fix the wine cooler to the bottom of the cabinet niche with two screws on the lower metal plate.

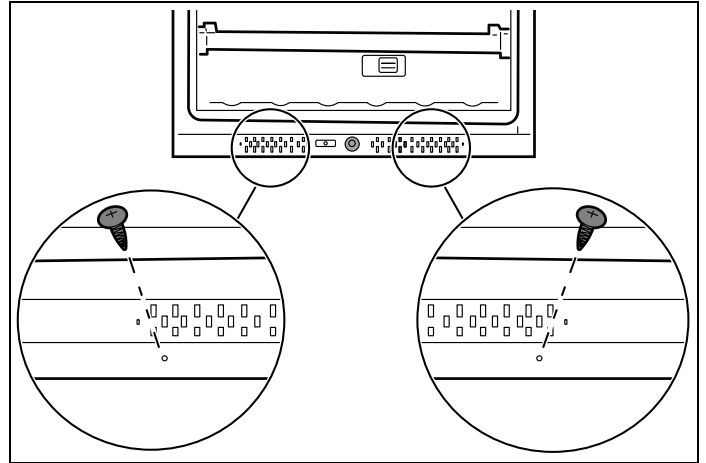


Fig. 6

- 4) Peel the 3M adhesive from the sealing strip included in the accessories' bag and, if necessary, cut it to the perfect height for the cabinet niche.

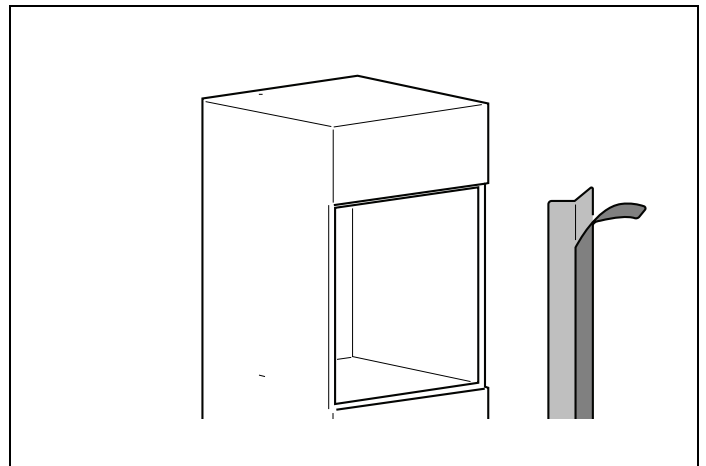


Fig. 7

# INSTALLATION INSTRUCTIONS

- 5) Press the sealing strip into the gap between the inner sides of the cabinet and the sides of the appliance. The strip has a purely aesthetic function. If not installed, it does not impair the functionality of the appliance.

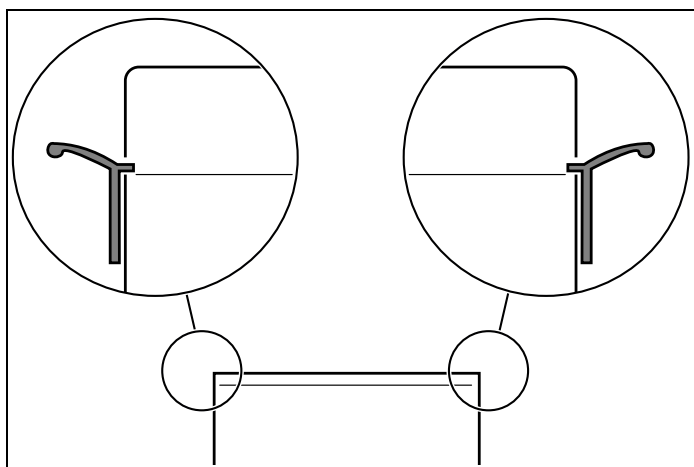


Fig. 8

- 6) Installation is complete.

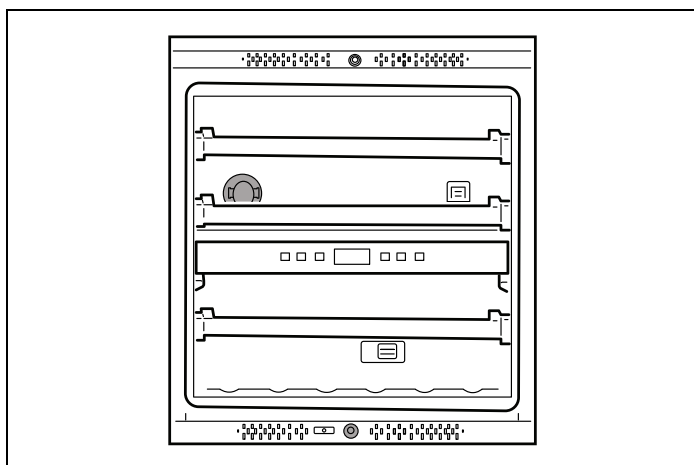
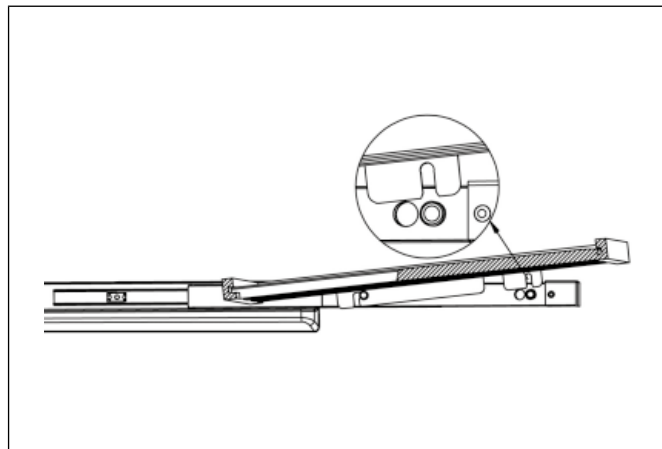


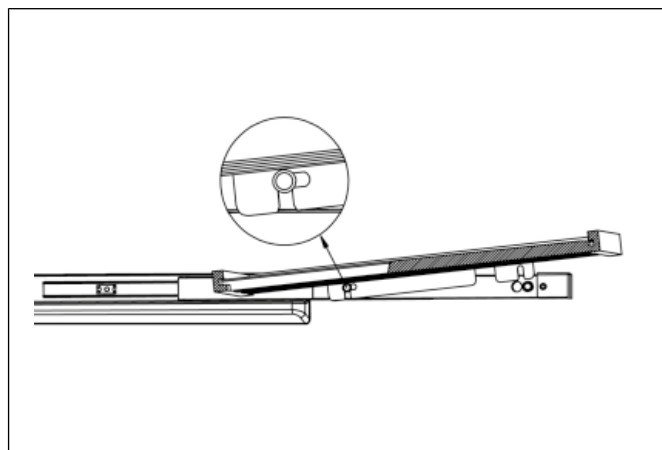
Fig. 9

## REMOVING THE SHELVES

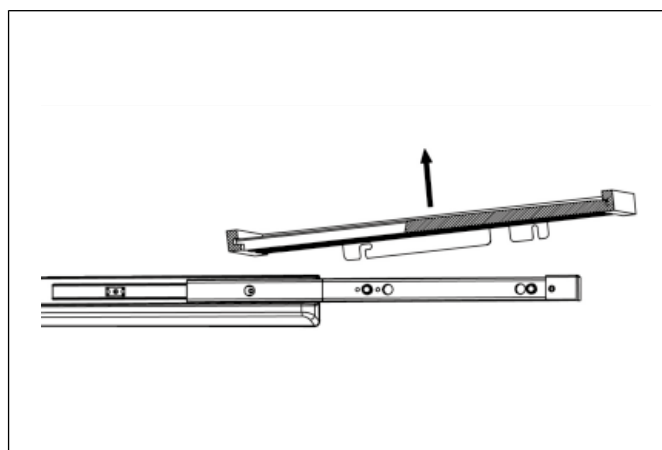
- 1) Pull the wine shelf out of the telescopic glides at the front.



- 2) Pull the wine shelf forward. The telescopic glides fixing post is locked at the back in the position shown in the figure.



- 3) Pull up the shelf to remove it.



# USE

---

## BEFORE FIRST USE

**Remove all exterior and interior packaging. Allow the appliance to stand upright for at least 24 hours prior to switching the power on.**

This will reduce the possibility of a malfunction in the cooling system caused by handling during transportation.

- Clean the interior of the refrigerator as recommended in the *CLEANING AND CARE* section. Before you turn on the appliance, make sure that the interior is dry.
- Plug the appliance into a grounded socket. The interior lighting comes on when the door is opened.
- Run the wine column for 6 hours before placing any bottle in it and do not open its door unless it is necessary.



### NOTE

You will hear a noise when the compressor starts up. The liquids and gases sealed within the refrigeration system may also cause noise, even if the compressor is not running. This is quite normal.



### NOTE

The front edges of the appliance may feel warm. This is normal. These areas are designed to be warm in order to prevent condensation.

During operation, you may hear some absolutely normal noises:

- Buzzing: The refrigerator is running. The fan of the air recirculation system is running.
- Bubbling, humming or gurgling noises: refrigerant is flowing through the pipes.
- Clicking: motor is turning on or off.

The door on this appliance can be opened only from the left side.

If you have received a damaged product, immediately contact the dealer or distributor from which you purchased the product.

Carefully read and follow these instructions for the installation, use and maintenance of the appliance.

Read the troubleshooting section of this manual, which will help you diagnose and solve the most common problems.

# USE

## INTERNAL STORAGE

This wine cooler features 2 independent temperature zones the upper zone adjustable from 5°C to 12°C, and the lower zone adjustable from 12°C to 20°C.

The figures in this section show a loading pattern using standard bordeaux bottles. Please note that the wine cooler can fit also different types of bottles. Magnum bottles can be stored in the lower shelf of the upper zone by removing the top shelf.

The wooden shelves can be removed to increase the load capacity, but make the appliance less practical for everyday use. To remove a shelf, see the *REMOVING THE SHELVES* paragraph.

The most energy-saving configuration requires the shelves to be installed in the appliance.

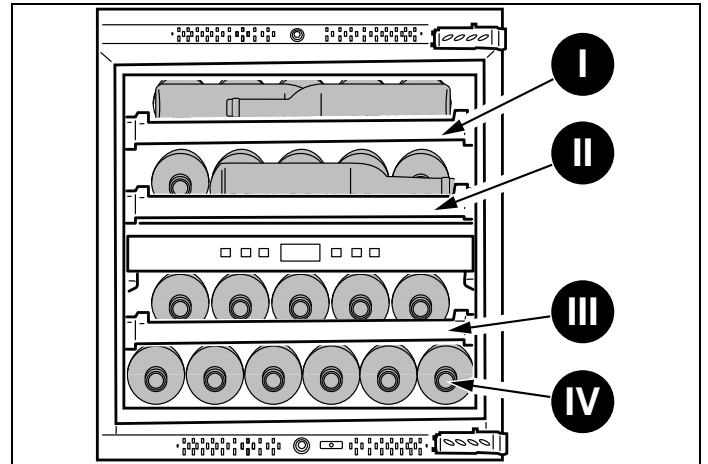


Fig. 11

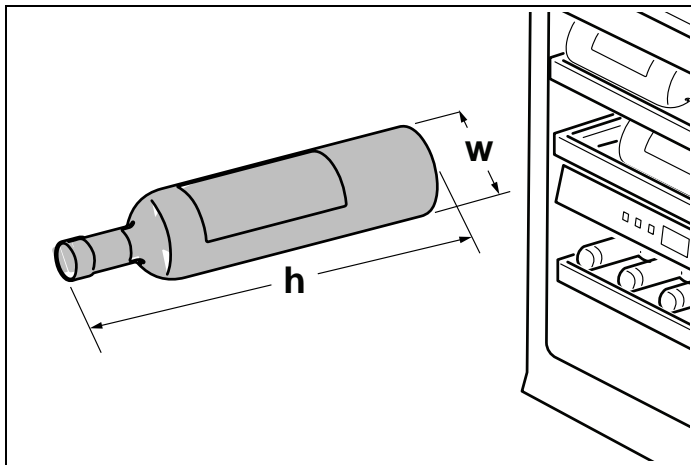


Fig. 10

- w. 76 mm
- h. 300 mm

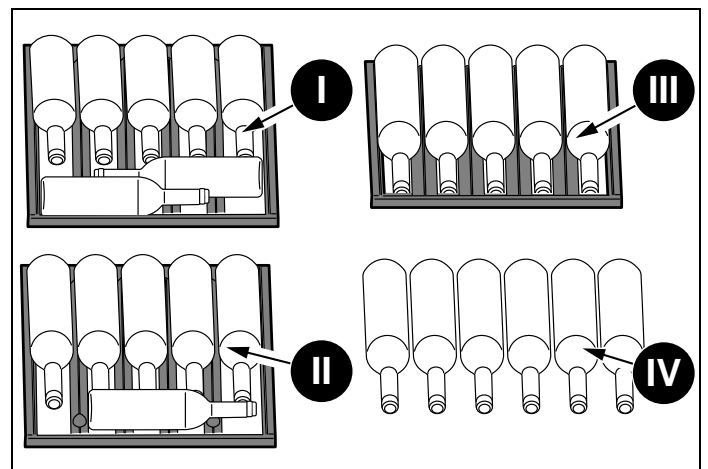


Fig. 12

LOAD CAPACITY		BOTTLE STORAGE (BOTTLE 1- BORDEAUX TYPE)	
Upper zone	top shelf (I)		7
	lower shelf (II)		6
Lower zone	top shelf (III)		5
	lower shelf (IV)		6
<b>Total</b>			<b>24</b>

## USE

### RECOMMENDATIONS FOR STORING AND SERVING WINE

To best appreciate the organoleptic qualities of each wine, it is necessary that storage and consumption be carried out at certain temperatures.

The following table summarises the most suitable storage temperature for each type of wine. It is recommended, particularly for more valuable bottles, to appropriately follow the instructions provided by the producer.

TYPE OF WINE	STORAGE TEMPERATURE (°C)
Young and light white wines	10 - 12
Mature and structured white wines	12 - 14
Aromatic white wines	8 - 10
Young and light rosé wines	10 - 12
Mature, full-bodied rosé wines	12 - 14
Young red wines	10 - 14
Young, slightly tannic and light red wines	14 - 16
Mature, tannic and full-bodied red wines	16 - 18
Very mature, tannic and full-bodied red wines	16 - 18
Sweet and aromatic sparkling wines	8 - 10
Sweet and aromatic red sparkling wines	10 - 12
Charmat method sparkling wines	8 - 10
Long Charmat method sparkling wines	10 - 12
Classic method sparkling wines	8 - 10
Classic "Millesimato" method sparkling wines	10 - 12
Dry and semi-dry sparkling wines	8 - 10
Semi-sparkling wines	10 - 12
Superior sweet sparkling wines	10 - 12
Fortified, dessert or straw wines	10 - 18

## USE

---

TYPE OF WINE	STORAGE TEMPERATURE (°F)
Young and light white wines	50 - 54
Mature and structured white wines	54- 57
Aromatic white wines	46- 50
Young and light rosé wines	50- 54
Mature, full-bodied rosé wines	54- 57
Young red wines	50 - 57
Young, slightly tannic and light red wines	57- 61
Mature, tannic and full-bodied red wines	16 - 18
Very mature, tannic and full-bodied red wines	61- 64
Sweet and aromatic sparkling wines	46- 50
Sweet and aromatic red sparkling wines	50- 54
Charmat method sparkling wines	46- 50
Long Charmat method sparkling wines	50- 54
Classic method sparkling wines	46- 50
Classic “Millesimato” method sparkling wines	50- 54
Dry and semi-dry sparkling wines	46- 50
Semi-sparkling wines	50 - 54
Superior sweet sparkling wines	50 - 54
Fortified, dessert or straw wines	50 - 64

# USE

---

## White wines

White wines are normally not served at high temperatures, since they are generally more acidic than red wines and not very tannic, which is why they are more enjoyable at low temperatures.

These wines should preferably be stored and served between 10 °C and 14 °C (50 °F and 57 °F). Young, fresh and aromatic wines can also be served at 10 °C (50 °F), while less aromatic ones are recommended at 12 °C (54 °F). Temperatures between 12 °C and 14 °C (54 °F and 57 °F) are suitable for soft, mature white wines aged for a few years in the bottle. Higher temperatures would favour the enhancement of the sweet character of the wine, to the detriment of the acidity and flavour that are considered pleasant and desirable characteristics for this type of wine.

## Rosé wines

Rosé wines are generally served at the same temperature as white wines. However, it should be noted that these wines may contain a certain amount of tannins and it may therefore be preferable to taste them at higher temperatures so as not to make them too astringent. Consequently, they are served between 10 and 12 °C (50 and 54 °F) if young and fresh and between 12 and 14 °C (54 and 57 °F) if more robust and mature.

## Red wines

Containing more tannins and being less acidic, red wines are usually served at higher temperatures.

Younger and less tannic wines are generally served between 14 and 16 °C (57 and 61 °F), while fuller-bodied and tannic wines can be served at 16 °C (64 °F), and exceptionally even at 18 °C (64 °F). Some wines aged for years in the bottle, still full-bodied and tannic, can be served at 18 °C (64 °F) or even at 20 °C (68 °F). Young red wines that are low in tannins and less structured can be enjoyed at lower temperatures, between 12 and 14 °C (54 and 57 °F).

## Classic or Charmat method sparkling wines

Given the high variety of existing sparkling wines, it is difficult to give valid recommendations for all.

In general, sweeter and more aromatic sparkling wines should be served at lower temperatures, up to 8 °C (46 °F), due to their aromaticity. More tannic sparkling wines can be served at higher temperatures, up to 14 °C (57 °F).

Dry Charmat or Martinotti method sparkling wines, such as some Proseccos, should generally be served between 8 and 10 °C (46 and 50 °F). Classic method sparkling wines and 'méthode Champenoise' such as Champagne are also normally served at these temperatures but, for sparkling wines aged for some time such as Millesimati, one can go up to 12 °C (54 °F) to favour the development of complex aromas.

However, it is advisable, especially for the finest wines, to follow the producer's recommendations, which are printed on the bottle.

## Sparkling wines

For semi-sparkling wines, the same temperature indications apply as for Classic or Charmat method sparkling wines and are generally served between 10 and 12 °C (50 and 54 °F). For dry and semi-dry sparkling wines, a slightly lower serving temperature of between 8 and 10 °C (46 and 50 °F) is recommended.

## Fortified, dessert or straw wines

This type of wine can be served at temperatures between 14 and 18 °C (61 and 64 °F) depending on personal taste and, to attenuate the sweet taste and high alcohol content, it can also be served at 10 °C (50 °F).

Dry liqueur wines, such as Marsala for example, contain so much sugar that they are not perceived on the palate. For these wines, the serving temperature should be set according to what you want to emphasise. If you prefer to accentuate the sweetness of the wine, the complexity of its bouquet and its austerity, it is best to serve it at a high temperature, between 14 °C and 18 °C (61 and 64 °F), remembering that this will also enhance the alcohol component. If you want to enhance their freshness more, they should be served at a lower temperature of between 10 °C and 14 °C (50 and 61 °F). Dry, fresh, young liqueur wines can also be served at a cooler temperature of less than 10 °C (50 °F) in order to significantly reduce the perception of alcohol. However, the lower the serving temperature, the lower the perception of aromas will be. The pleasantness and complexity of aromas typical of these wines is a welcome and interesting characteristic: serving them too cold means sacrificing this important aspect.

# USE

## CONTROL PANEL

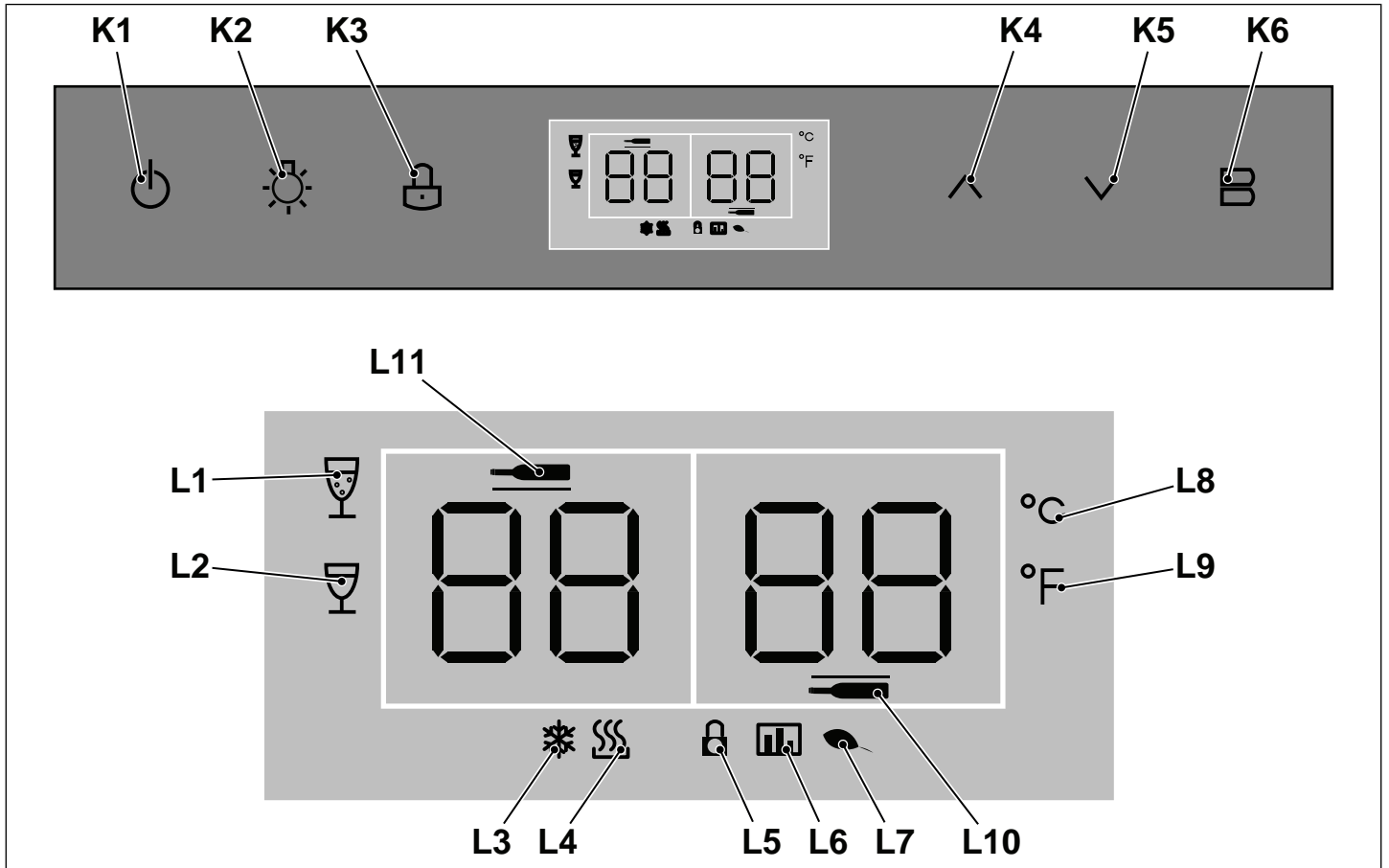


Fig. 13

- **[K1]** On/Off Button
- **[K2]** Lighting Button
- **[K3]** Child Lock Button
- **[K4]** Temperature Increase Button
- **[K5]** Temperature Decrease Button
- **[K6]** Temperature Zone Selection Button
- **[L1]** Sparkling Wine Mode Icon
- **[L2]** White Wine Mode Icon
- **[L3]** Cooling Icon
- **[L4]** Heating Icon
- **[L5]** Child Lock Icon
- **[L6]** Showroom Mode Icon
- **[L7]** Energy Saving Mode Icon
- **[L8]** Celsius Icon
- **[L9]** Fahrenheit Icon
- **[L10]** Lower Temperature Zone Icon
- **[L11]** Upper Temperature Zone Icon

# USE

## ON/OFF BUTTON

Serves to switch the whole appliance On or Off. Press **[K1]** for 3 seconds to switch the appliance on/off. When switched off, the appliance disconnects from all external power sources and switches to standby status. In the switched-off state, button **[K1]** flashes every 2 seconds when the door is open.

## ENABLING/DISABLING THE CHILD LOCK

The child lock is a feature for preventing children from changing the appliance's settings. Press button **[K3]** for 3 seconds to lock/unlock the control panel.

When the child lock is enabled, the locker icon on the digital screen lights up, accompanied by an acoustic signal to indicate that the display is locked. Deactivate the child lock to change any settings.



### NOTE

Each time the power is restored, the system will automatically default to the unlocked state.

## TEMPERATURE ADJUSTMENT BUTTONS

To change the temperature of the wine cooler, first select the upper or lower zone with button **[K6]**; the respective **[L11]** or **[L10]** icons of the selected zone will start flashing on the display. Press button **[K4]** to increase the temperature value by 1 degree with each press. Press button **[K5]** to decrease the temperature value by 1 degree with each press. The temperature can be set from 5°C (41°F) to 12°C (54°F) in the upper zone and from 12°C (54°F) to 20°C (68°F) in the lower zone, making the upper zone ideal for white wines and lower for red wines. The temperatures are set when the temperatures stop flashing after 5 seconds and the cooler makes a sound.



### NOTE

When changing the temperature of the zones, the displays will immediately show the selected temperatures on of the zones. The actual temperatures inside the zones will gradually change until the desired set temperatures are reached. The appliance will take some time to reach the new set temperatures; this is normal.



### NOTE

When the compressor is running for cooling, a snowflake icon appears on the display and one, or both, of the **[L11]** or **[L10]** icons representing the two temperature zones, flash to indicate that that zone or zones are cooling down.

The upper temperature zone provides two ways of storing wine at different temperature ranges, as shown in the table below.

TEMPERATURE ZONE	WINE TYPE	DEFAULT TEMPERATURE SETTING	TEMPERATURE RANGE °C	TEMPERATURE RANGE °F
Upper zone	Sparkling Wine Mode ( <b>L1 icon</b> )	5	5–8	41–47
Upper zone	White Wine Mode ( <b>L2 icon</b> )	9	9–12	48–54
Lower zone	Red Wine Mode	12	12–20	54–68

# USE

---

## ENTERTAINMENT MODE

The switching on/off of the LED lights depends on the door opening/closing. When the door is opened, the lights switch on automatically. When the door is closed, the lights switch off to save energy.

Press the **[K2]** button to activate the entertainment mode and keep the light constantly on even when the door is closed. Each time the button is pressed, a beep will sound.



### NOTE

If the cooler is turned off while entertainment mode is active, entertainment mode will remain enabled when the cooler is turned back on.

## CELSIUS AND FAHRENHEIT SELECTION

To switch between Celsius and Fahrenheit, press buttons **[K4]** + **[K5]** simultaneously for 3 seconds while the wine cooler is in the locked state. After a "beep" sound, the temperature display will be changed from °C to °F. Celsius is set as the factory default.

## SHOWROOM MODE

In unlocked state, press **[K2]** + **[K6]** buttons simultaneously for 5 seconds to enable the function.

This mode is used when the refrigerator is on display in a retail store or if you want to turn the cooling off and deactivate all other functions except interior lighting. When enabled, after a beep sound, the showroom icon **[L6]** appears on the display (depending on model). Press **[K2]** + **[K6]** simultaneously to deactivate the showroom mode at any time.



### NOTE

Do not store any item while in showroom mode, because the appliance then remains at room temperature. If the cooler is turned off while showroom mode is active, showroom mode will remain enabled when the cooler is turned back on.

## SHABBAT MODE

Press **[K5]** and **[K6]** keys simultaneously for 3 seconds to enable/disable the function. When the Shabbat Mode function is enabled, all lights, buzzers and digital displays will be switched off. The compressor and fan will continue to operate normally. The mode is automatically deactivated after 36 hours of operation. If the device is switched off, the status is not maintained. Press **[K5]** and **[K6]** keys simultaneously for 3 seconds to deactivate Shabbat mode at any time. In Shabbat mode, touching any key will light up the display screen and button lights, which will turn off after 5 seconds of no operation.

## ENERGY SAVING MODE

In the locked state (with illuminated keys and display), touch the **[K2]** key for 3 seconds. After a beep, the Energy Saving icon **[L7]** lights up, the button lighting turns off, and only the digital display screen remains lit. When all buttons are off, touching briefly any key turns the button lighting on for 5 seconds, before turning off again.

Touching **[K2]** again for 3 seconds turns off the digital display screen. In the fully off state, any button touch activates both the button light and display for 5 seconds. Touching **[K2]** for 3 seconds a third time restores the always-on state and turns off the energy-saving icon.

## OPEN DOOR ALARM

If the wine cooler door remains open for more than 3 minutes, the lights start flashing accompanied by an audible alarm and the compressor stops working. Press any key except the Power button to stop the sound and restore the display functions; this will reset the timer. Close the door to prevent the temperature from rising too high.

## CARE AND MAINTENANCE

---



### WARNING

Always disconnect the appliance from the mains power before performing any cleaning or maintenance.

### LED LIGHT REPLACEMENT INSTRUCTIONS

To provide optimum interior lighting, LED strips illuminate the appliance from the top and sets of LED lights directly illuminate different areas.

In case of malfunction and/or wearing out of the lighting system, repairs should be carried out by a qualified Service technician.

### CLEANING THE INTERIOR SURFACES

To clean the inside of the wine column, open the door and remove the shelves. Wipe the inside of the unit with a clean cloth and a mild detergent, or with a soft sponge and a solution of bicarbonate of soda and lukewarm water. Do not use abrasive products or detergents. After washing, rinse and dry thoroughly.

Clean the wooden shelves with a soft, slightly damp cloth. Avoid using soaps, detergents and/or sponges that can damage both wooden and steel surfaces. Dry the shelves carefully before placing them back in the wine column.



### WARNING

Do not use vinegar, rubbing alcohol or any alcohol-based cleaning agent on any of the interior surfaces.

If the appliance is not going to be used for an extended period of time, unplug and clean the appliance. The doors should be left slightly ajar to prevent the formation of mildew and unpleasant odours.

### DEFROSTING

The wine column is designed with an automatic defrost system. However, on colder settings, some frost may build up. Additionally, the more humid the ambient conditions, the more frost may build up. Keep the door closed as much as possible and avoid opening the door unnecessarily to minimize frost build-up.

If frost is preventing the door from closing properly, you may need to power the unit off until the frost melts (possibly up to 24 hours). Use a soft absorbent towel to dry the unit.



### WARNING

Do not harm refrigerant tubing.

### NOISES AND MEANING

This wine column may emit some normal sounds during operation.

Hard surfaces such as the floor or walls may make the sounds seem louder than they actually are.

In the list below you will find the most common sounds and their causes:

- rattling: due to the flow of refrigerant or objects placed on top of the appliance.
- loud or high-pitched sounds: the high-efficiency compressor may emit sounds due to normal operation.
- splashing sound: due to water flowing from the evaporator to the water container.
- gurgling sound: refrigerant flowing into the appliance.
- air noise: air can be heard being pushed over the condenser by the condenser fan.

### POWER FAILURE

Most power failures are resolved within a few hours and should not affect the temperature of the appliance if the number of times the door is opened is minimised. If the power outage continues for a longer period of time, appropriate measures must be taken to protect the contents of your appliance.

# TROUBLESHOOTING

---

If you have any problems with your appliance, please check this troubleshooting section prior to calling Customer Care.

## **If the appliance is not working, check that:**

- The appliance is receiving electrical power.
- The fuses in the home are intact and the fuse in the plug has not blown.
- The appliance has not been turned off.
- The electrical outlet is functioning properly. To check this, plug another electrical appliance into it to see if the outlet is faulty.

## **If the appliance is working, but not very well, check that:**

- The appliance is not overloaded.
- The room temperature does not exceed the optimal operating temperature of the wine cooler.
- The thermostat is set to an appropriate temperature.
- The doors are closing properly.
- The cooling system on the back of the appliance is clean and free of dust and is not touching the rear wall.
- There is enough ventilation around the side and rear walls.

## **If the appliance is not cold enough, check that:**

- Temperature is not set too high.
- The appliance is not installed next to a heat source.
- The door is not opened too frequently or for long periods of time.
- The door gasket seals properly.
- The appliance is not set on demo mode.
- The appliance has sufficient ventilation and ensure it is installed according to the installation requirements specified in this manual.

## **If the appliance is noisy, check that:**

- The appliance is level and stable.
- The shelves are positioned correctly inside the appliance.
- The room temperature is hotter than normal.
- The door gasket is properly sealed.
- The door is not opened too frequently or for long periods of time.
- The appliance has sufficient ventilation and ensure it is installed according to the installation requirements specified in this manual.



## **NOTE**

The coolant gas in the refrigerator may make a slight bubbling or gurgling noise, even when the compressor is not running.



## **NOTE**

Some popping or cracking noises are normal. They are caused by expansion and contraction of the inside walls due to temperature changes.

## **If the door cannot be closed properly, check that:**

- The appliance is level and stable.
- The door hinges are not loose.
- The door gasket is not dirty or loose.
- The shelves are positioned correctly inside the appliance.

## **If the appliance is beeping, check that:**

- The doors are closed. An alarm will sound after a door has been open for 3 minutes.

## **If frost has formed in the appliance:**

- The environment is too humid.
- The room temperature is too low.
- The door is being opened too frequently.
- The unit has an auto-defrost system but, under certain conditions, manual defrosting may be required. If frost periodically forms, try to run the refrigerator at a warmer temperature setting, minimising the number of door openings or unplugging the unit to allow the frost to melt.
- Check the door seal for any kinks, debris or damage. If you notice any, and are unable to resolve the issue yourself, contact Customer Care so that the seal can be replaced.
- This can be due to the cabinet door(s) not being properly fitted. If you are at all unsure, ask your installer to check the cabinet doors.

## **If one or more of the LED units inside the appliance is not working:**

- Check that the lights have not been switched off with the appropriate display button.
- Check there is power connection.
- Check that the socket circuit or fuse are not damaged.
- Contact Customer Care to arrange a service visit.

## **If the body of the appliance is electrified:**

- The unit is not properly grounded. Contact your electrician to test your electrical grounding system.

# ERROR CODES

When a malfunction occurs, contact a service technician for repairs

EXPLANATION	CIRCUIT CODE
Space Temperature Sensor Short Circuit	HH
Space Temperature Sensor Open Circuit	LL
High Temperature Alarm	25/77
Upper Temperature Zone Low Temperature Alarm	2
Lower Temperature Zone Low Temperature Alarm	5
Ambient Temperature Sensor Short Circuit	1H
Ambient Temperature Sensor Open Circuit	1L



## NOTE

In the presence of a fault code, the display screen shows the fault code, and the buzzer alarms.

If you want to release the alarm sound, press the on/off key.



## NOTE

If the display window shows "HH" or "LL" accompanied by a continuous "beep" sound, the temperature sensor is out of order. Please contact a professional for repair immediately.

### 1) High Temperature Alarm:

- The alarm is activated if any of the following conditions are met (judged separately for each temperature zone):
  - I. Zone temperature  $\geq 25^{\circ}\text{C}$  for over 3 hours.
- Alarm Characteristics: The LED lighting and digital screen display  $25^{\circ}\text{C}$  or  $77^{\circ}\text{F}$  simultaneously flashing, the buzzer alarms, with a flashing frequency of 1 time every 3 seconds.
- Automatic alarm exit requires meeting all of the following conditions: Zone temperature  $< 25^{\circ}\text{C}$   
Duration  $\geq 1$  min
- Load characteristics during the alarm: all loads are unaffected by the alarm and operate according to the current temperature conditions

### 2) Low Temperature Alarm:

- The alarm is activated if any of the following conditions are met (judged separately for each temperature zone):
  - 2.1)** Upper temperature zone temperature  $\leq 2^{\circ}\text{C}$ , sustained for 30 minutes.
  - 2.2)** Lower temperature zone temperature  $\leq 5^{\circ}\text{C}$ , sustained for 30 minutes
- Alarm characteristics: The low-temperature display for the upper temperature zone flashes at  $2^{\circ}\text{C}/36^{\circ}\text{F}$ , and the low-temperature display for the lower temperature zone flashes at  $5^{\circ}\text{C}/36^{\circ}\text{F}$ . The buzzer alarms, and the illumination LED lights flash at a frequency of 1 time every half second.
- The alarm exits if any of the following conditions are met (judged separately for each temperature zone):
  - 2.1)** Upper temperature zone  $> 5^{\circ}\text{C}$ , duration  $\geq 1$  min.
  - 2.2)** Lower temperature zone  $> 5^{\circ}\text{C}$ , duration  $\geq 1$  min.

## WARRANTY AND SERVICE

---



Bertazzoni is committed to providing the highest quality service to our customers. In the unlikely event that your product should have a manufacturing defect, please contact our service team at:

<https://uk.bertazzoni.com/more/care-service>

You will be requested to provide product information, proof of purchase, a photo of the silver data label and a description of the issue. Please have this information ready.

## DALLA SCRIVANIA DEL PRESIDENTE

Gentile Cliente,

grazie per aver scelto per la Sua casa la qualità degli elettrodomestici Bertazzoni.

È dal lontano 1882 che la mia famiglia costruisce cucine e si è dunque conquistata una solida reputazione per l'eccellenza della sua ingegneria, nata dalla passione per la buona tavola.

Oggi, i nostri prodotti si distinguono per il loro mix esclusivo di autentico design italiano e tecnologia di alto livello. La nostra missione è quella di costruire elettrodomestici dal funzionamento perfetto, che soddisfino pienamente chi li usa.

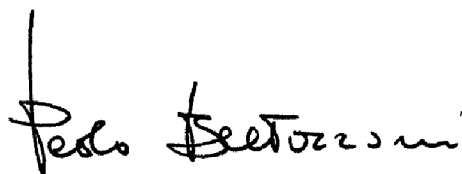
Creando prodotti di elevata qualità estetica, rispondiamo alle esigenze dei nostri clienti. I nostri elettrodomestici sono inoltre versatili e maneggevoli, perciò cucinare con Bertazzoni diventa un vero piacere.

Questo manuale La aiuterà ad utilizzare e a prendersi cura del Suo prodotto Bertazzoni nel modo più sicuro ed efficiente, affinché Le possa dare la massima soddisfazione per molti anni a venire.

Spero che sia di Suo completo gradimento!

Paolo Bertazzoni

Presidente

A handwritten signature in black ink, reading "Paolo Bertazzoni". The signature is written in a cursive, flowing style with a vertical line above the first letter 'P'.



## **VALIDITÀ DEL MANUALE PER L'UTENTE**

Il seguente manuale è valido esclusivamente per il **RWC60B4DNRP** codice prodotto

# INDICE

---

INFORMAZIONI IMPORTANTI SU SICUREZZA E AMBIENTE .....	35
INFORMAZIONI GENERALI .....	35
INFORMAZIONI SUL MANUALE .....	35
INFORMAZIONI DI SICUREZZA .....	36
RISPETTO PER L'AMBIENTE .....	38
CONFORMITÀ .....	38
RISPARMIO ENERGETICO .....	39
SPOSTAMENTO DELL'APPARECCHIO .....	39
SPECIFICHE .....	40
DESCRIZIONE DELL'APPARECCHIO .....	40
SPECIFICHE TECNICHE .....	40
TEMPERATURA AMBIENTE .....	40
INSTALLAZIONE .....	41
ISTRUZIONI PER L'INSTALLAZIONE .....	41
PREPARAZIONE PER L'INSTALLAZIONE .....	41
REQUISITI ELETTRICI .....	41
VENTILAZIONE .....	42
DIMENSIONI DEL PRODOTTO .....	43
DIMENSIONI DI INTAGLIO DEL MOBILE .....	44
ISTRUZIONI PER L'INSTALLAZIONE .....	45
RIMOZIONE DEI RIPIANI .....	46
USO E MANUTENZIONE .....	47
USO .....	47
PRIMO UTILIZZO .....	47
CONSERVAZIONE INTERNA .....	48
CONSERVAZIONE E SERVIZIO DEL VINO .....	49
PANNELLO DI CONTROLLO .....	52
CURA E MANUTENZIONE .....	55
ISTRUZIONI PER LA SOSTITUZIONE DELLA LUCE A LED .....	55
PULIZIA DELLE SUPERFICI INTERNE .....	55
SBRINAMENTO .....	55
RUMORI E SIGNIFICATO .....	55
MANCANZA DI CORRENTE .....	55
RISOLUZIONE DEI PROBLEMI .....	56
CODICI DI ERRORE .....	58
GARANZIA .....	59
DICHIARAZIONE DI GARANZIA CONVENZIONALE .....	59
ART. 1 - OGGETTO DELLA GARANZIA .....	59
ART. 2 - DURATA E CONDIZIONI DI VALIDITÀ .....	59
ART. 3 - CLAUSOLE DI ESCLUSIONE .....	60
ART. 4 - LIMITAZIONI DELLA RESPONSABILITÀ DEL PRODUTTORE .....	60
ART. 5 - PROCEDURA PER ATTIVARE LA GARANZIA CONVENZIONALE .....	60

# INFORMAZIONI IMPORTANTI SU SICUREZZA E AMBIENTE

## INFORMAZIONI GENERALI

### INFORMAZIONI SUL MANUALE

Queste istruzioni sono adatte a diversi tipi di apparecchi, pertanto potrebbero contenere descrizioni di funzioni che questo elettrodomestico potrebbe non includere o supportare.

Le immagini e le illustrazioni contenute in questo documento si riferiscono a vari modelli e potrebbero differire leggermente dal prodotto acquistato.

Il produttore declina qualsiasi responsabilità per danni a persone o cose derivanti da un'installazione non corretta o da un uso improprio dell'elettrodomestico.

Il produttore si riserva il diritto di modificare i vari modelli in base alle esigenze di conformità alle normative tecniche in vigore.

In caso di reclami, contattare l'assistenza clienti. Prima di installare e/o utilizzare l'apparecchio, leggere accuratamente le istruzioni presenti in questo manuale. Questo contribuirà a conoscere meglio il nuovo apparecchio. Conservare questo documento a portata di mano per poterlo consultare in qualsiasi momento e consegnarlo ad eventuali proprietari futuri.

Leggere i messaggi di sicurezza forniti nell'introduzione al presente manuale e prestare la necessaria attenzione alle note di sicurezza, ad esempio: "Attenzione", "Avvertenza" e "Pericolo" che appariranno nel testo.



### PERICOLO

Questo simbolo indica una situazione che costituisce un pericolo per l'utente e per altre persone. Leggere attentamente e assicurarsi di aver perfettamente compreso le cause di incidenti potenzialmente pericolosi o letali.



### AVVERTENZA

Questo simbolo indica informazioni di sicurezza. Leggere attentamente e assicurarsi di aver perfettamente compreso le cause di incidenti potenzialmente pericolosi.



### ATTENZIONE

Questo simbolo indica una procedura che potrebbe comportare un rischio per la struttura o i componenti dell'elettrodomestico. Prestare particolare attenzione a queste procedure.



### NOTA

Questo simbolo evidenzia metodi e procedure per un utilizzo corretto dell'elettrodomestico.

Il modello, il codice di vendita e il numero di serie sono stampati sulla targhetta. Per l'ubicazione della targhetta, consultare la sezione Specifiche del presente manuale.



### NOTA

Si consiglia di annotare i dati e i numeri di serie dell'apparecchio in modo che siano immediatamente disponibili in caso di necessità.



### NOTA

Indicare le informazioni riportate sulla targhetta per migliorare l'efficienza del servizio post-vendita e dei ricambi. Ai fini della garanzia, sono necessari anche la data di installazione e il nome del rivenditore autorizzato Bertazzoni.



### AVVERTENZA

Quando si utilizza l'apparecchio, seguire le precauzioni di base. Leggere tutte le istruzioni prima di utilizzare l'apparecchio. Conservare queste istruzioni e trasmetterle agli eventuali utenti futuri.

# INFORMAZIONI IMPORTANTI SU SICUREZZA E AMBIENTE

## INFORMAZIONI DI SICUREZZA

Questo frigorifero è destinato a essere utilizzato in ambiente domestico o simile, ad esempio:

- Cucine destinate al personale di negozi, uffici e altri ambienti lavorativi;
- agriturismi o uso da parte di clienti di hotel, motel e altri ambienti residenziali;
- bed and breakfast;
- servizi di catering e applicazioni simili senza vendita al dettaglio.

Non deve essere impiegato al di fuori dell'uso previsto. Deve essere utilizzato solo per conservare il vino.

Il produttore non si assume alcuna responsabilità per i danni derivanti da un utilizzo o un trasporto improprio dell'apparecchio.

I ricambi originali saranno disponibili per 10 anni dalla data di acquisto del prodotto.

## NONI METTERE A RISCHIO BAMBINI E PERSONE VULNERABILI

Questo frigorifero non è destinato ad essere utilizzato da persone (bambini compresi) con ridotte capacità fisiche o sensoriali o prive dell'esperienza e delle conoscenze necessarie, se non supervisionate o istruite all'uso del frigorifero da una persona responsabile della loro sicurezza.

I bambini dovrebbero essere sorvegliati per controllare che non giochino con il frigorifero.

La pulizia e la manutenzione non devono essere eseguite dai bambini a meno che non siano sorvegliati da un adulto.

Tenere l'apparecchio e il cavo di alimentazione lontano dalla portata dei bambini di età minore di 8 anni.

## RISCHIO DI SCOSSE ELETTRICHE!

- Assicurarsi di scollegare l'apparecchio durante le procedure di installazione, manutenzione, pulizia e riparazione.
- Quando si installa l'apparecchio, assicurarsi che il cavo di rete non sia incastrato o danneggiato.
- Se il cavo di rete di questo apparecchio è danneggiato, deve essere sostituito dal produttore, dal tecnico dell'assistenza o da persone altrettanto qualificate. Installazioni e riparazioni improprie possono mettere a rischio l'utente.
- Non utilizzare adattatori. Non utilizzare cavi di prolunga.
- Non collegare il frigorifero se la presa a muro è allentata. Non tirare il cavo per scollegare l'apparecchio.
- Scollegare il prodotto dalla rete se si verifica un guasto durante l'uso. Se il prodotto non funziona correttamente, non deve essere utilizzato fino a quando non viene

riparato dal Centro assistenza autorizzato. Il costruttore declina ogni responsabilità per eventuali danni derivanti da procedure eseguite da personale non autorizzato.

- Non lavare mai l'apparecchio spargendo o versando acqua su di esso! Non toccare mai la spina con le mani bagnate!
- Non usare mai vapore o pulitori a vapore per pulire o sbrinare il frigorifero. Il vapore può causare un cortocircuito o una scossa elettrica se entra in contatto con i componenti elettrici del frigorifero.
- Non collegare mai il frigorifero a dispositivi di risparmio energetico. Questi sistemi possono essere dannosi per il vostro apparecchio.

## RISCHIO DI ESPLOSIONE

- Non usare apparecchi elettrici di alcun tipo all'interno degli scomparti per la conservazione dei cibi.
- Non utilizzare dispositivi meccanici, o altri mezzi per accelerare il processo di sbrinamento, diversi da quelli consigliati dal produttore.
- Non conservare in questo frigorifero oggetti esplosivi come, ad esempio, bombolette spray con propellente infiammabile.
- Le bottiglie contenenti bevande ad alto contenuto alcolico devono essere ben chiuse e conservate in verticale.

## RISCHIO DI LESIONI

- Non inserire nello scomparto del congelatore bevande gassate o liquidi in lattine o contenitori di vetro, in quanto potrebbero esplodere!
- Non utilizzare mai parti del frigorifero, come la porta e i cassetti, come mezzi di appoggio o gradini. L'apparecchio potrebbe ribaltarsi o danneggiarsi.
- Non sedersi sull'apparecchio e non collocare oggetti pesanti sopra l'apparecchio.
- Non appoggiarsi o sedersi sulla porta o sui cassetti aperti. Non fare leva sulla porta o sulla maniglia per spostare l'apparecchio.
- Non sovraccaricare il frigorifero. Gli oggetti nel frigorifero possono cadere quando si apre lo sportello, causando lesioni personali o danni alle cose.
- Prestare attenzione a non incastrare la mano o qualsiasi altra parte del corpo nelle parti mobili del frigorifero (per esempio ice maker automatico).

## RISCHIO DI SOFFOCAMENTO

- I materiali di imballaggio possono essere pericolosi per i bambini. Non permettere ai bambini di giocare con sacchetti di plastica, pellicole di plastica o polistirolo.
- Se la porta dell'apparecchio è dotata di serratura, la chiave deve essere tenuta fuori dalla portata dei bambini.

# INFORMAZIONI IMPORTANTI SU SICUREZZA E AMBIENTE

## RISCHIO DI INTOSSICAZIONE ALIMENTARE

- Conservare la carne e il pesce crudi in frigorifero, in contenitori appropriati, in modo che non vengano a contatto con altri alimenti o che non gocciolino su di essi.
- Evitare di lasciare lo sportello aperto per lunghi periodi di tempo, per evitare che la temperatura all'interno dei vani dell'apparecchio aumenti notevolmente.
- Pulire regolarmente le superfici che possono entrare in contatto con cibo e accessibili ai sistemi di drenaggio.
- Se il frigorifero rimane inutilizzato per un periodo di tempo prolungato, spegnerlo, sbrinarlo, pulirlo, asciugarlo e lasciare la porta aperta per evitare la formazione di muffa all'interno.

## PERICOLO DI INCENDIO/AVVERTENZA ISOBUTANO



Il circuito refrigerante dell'apparecchio contiene isobutano (R600a), un gas naturale con un elevato livello di compatibilità ambientale, ma che è comunque infiammabile.

Durante il trasporto e l'installazione dell'apparecchio, prestare attenzione a non danneggiare i componenti del circuito frigorifero.

Se il circuito del refrigerante dovesse danneggiarsi:

- evitare fiamme libere e fonti di accensione;
- ventilare a fondo il locale in cui si trova l'apparecchio.

### NOTA



Se l'apparecchio è danneggiato o se si nota una fuga di gas, tenersi alla larga dal gas, in quanto può causare ustioni da freddo se viene a contatto con la pelle.

### NOTA



Il tipo di gas utilizzato nel prodotto è riportato sulla targhetta identificativa, che si trova sulla parete interna sinistra del frigorifero.



## ATTENZIONE

- Non danneggiare le parti in cui circola il refrigerante con utensili da foratura o da taglio. Se i condotti del gas dell'evaporatore, i tubi di prolunga o i rivestimenti superficiali vengono forati, il refrigerante potrebbe fuoriuscire causando irritazioni alla pelle e lesioni agli occhi. Non utilizzare oggetti appuntiti o affilati per rimuovere gli strati di brina o ghiaccio. Si potrebbero danneggiare i tubi del refrigerante. Le perdite di refrigerante possono provocare lesioni agli occhi o incendiarsi.
- Non provare MAI a estinguere l'incendio con l'acqua; spegnere l'elettrodomestico e coprire la fiamma con un coperchio o una coperta ignifuga.
- Non coprire o bloccare i fori di ventilazione del frigorifero con alcun oggetto.

# INFORMAZIONI IMPORTANTI SU SICUREZZA E AMBIENTE

## RISPETTO PER L'AMBIENTE



Questo elettrodomestico è conforme alla direttiva europea 2011/65/UE (RoHS).

Sull'elettrodomestico è riportato il simbolo di conformità alla direttiva europea 2012/19/UE (WEEE, Waste Electrical and Electronic Equipment) in materia di Rifiuti di apparecchiature elettriche e elettroniche - RAEE.

Questa direttiva contiene le norme che regolano la raccolta e il riciclaggio degli apparecchi dismessi in tutta l'Unione Europea.



Il simbolo di un cassonetto con una croce sopra che compare sul prodotto indica che i Rifiuti di Apparecchiature Elettriche ed Elettroniche (RAEE) non devono essere gettati insieme ai normali rifiuti urbani, ma devono essere smaltiti separatamente, in modo da poter essere sottoposti a trattamenti speciali che ne consentano il riutilizzo o a trattamenti specifici per la rimozione e lo smaltimento in sicurezza di eventuali sostanze nocive per l'ambiente e l'estrazione di materie prime che possono essere riciclate.

Pertanto, i RAEE devono essere consegnati ai Centri di Riciclaggio gestiti dalle Amministrazioni Comunali o dalle Società di Gestione dei Rifiuti. Inoltre, quando si acquista un nuovo elettrodomestico, i RAEE possono essere consegnati al rivenditore, che è tenuto a ritirarli gratuitamente (ritiro "1:1"). I RAEE "molto piccoli" (con dimensioni non superiori a 25 cm) possono essere consegnati gratuitamente ai rivenditori anche quando non viene effettuato alcun acquisto (ritiro "0:1" - che tuttavia è obbligatorio solo per i negozi con una superficie di vendita superiore a 400 m<sup>2</sup>).

Prestare particolare attenzione alle corrette procedure di smaltimento di tutti i materiali di imballaggio. Prima dello smaltimento:

- Scollegare l'alimentazione di rete.
- Scollegare l'apparecchio e tagliare il cavo di alimentazione.
- Non danneggiare il circuito di refrigerazione durante lo smaltimento.



## AVVERTENZA

Assicurarsi che gli apparecchi vecchi e usurati siano resi inutilizzabili prima dello smaltimento, rimuovendo la spina, tagliando il cavo di alimentazione e rimuovendo o distruggendo i fermi o i bulloni. In questo modo si evita che i bambini possano rinchiudersi nell'apparecchio durante il gioco (rischio di soffocazione) o che mettano in pericolo la loro vita in qualsiasi altro modo.

L'apparecchio acquistato è conforme alla Direttiva UE RoHS (2011/65/EU). Non contiene materiali pericolosi o proibiti specificati nella Direttiva. Questo apparecchio non contiene sostanze pericolose per lo strato di ozono atmosferico, né nel circuito di refrigerazione né nell'isolamento.


I nostri apparecchi sono imballati in materiali non inquinanti e riciclabili, in conformità alle normative ambientali nazionali:

- Smaltire gli imballaggi nel rispetto dell'ambiente.
- Chiedere al rivenditore di informarsi presso le autorità locali sulle attuali modalità di smaltimento.

Ai fini delle verifiche EcoDesign, l'installazione e la preparazione dell'apparecchio devono essere conformi alla normativa EN 62552.

- I requisiti di ventilazione, dimensioni e spazio minimo dalla parete posteriore sono indicati nel manuale di "Installazione".
- Contattare il costruttore per ulteriori informazioni.

## CONFORMITÀ

Il marchio presente  sul prodotto conferma la conformità a tutti i requisiti europei in materia di sicurezza, salute e ambiente applicabili a questo prodotto.

## RISPARMIO ENERGETICO

Per un migliore risparmio energetico, si consiglia di:

- installare il frigorifero lontano da fonti di calore, di non esporlo alla luce diretta del sole e di posizionarlo in una stanza ben ventilata.
- Non riempire eccessivamente il frigorifero per assicurare una corretta circolazione dell'aria.
- Tenere la porta del frigorifero chiusa in caso di mancanza di energia elettrica.
- Aprire e tenere aperte le porte del frigorifero per il minor tempo possibile.
- Assicurarsi che l'unità sia adeguatamente ventilata. Non coprire le prese d'aria.
- Non coprire i ripiani con fogli di alluminio o altro materiale che possa impedire la circolazione dell'aria.
- Se l'apparecchio viene lasciato vuoto per lunghi periodi, si consiglia di staccare la spina e, dopo un'accurata pulizia, di lasciare lo sportello socchiuso per consentire all'aria di circolare all'interno dell'armadio al fine di evitare la formazione di condensa, muffa o odori.

## SPOSTAMENTO DELL'APPARECCHIO

Se è necessario spostare l'apparecchio, adottare le seguenti precauzioni:

- Rimuovere tutti gli oggetti dall'unità.
- Fissare con il nastro adesivo tutti gli elementi non fissati (per esempio i ripiani) all'interno dell'apparecchio.
- Ruotare i piedini regolabili alla base in senso orario fino a sollevarli completamente per evitare di danneggiarli.
- Chiudere la porta con il nastro adesivo.
- Assicurarsi che l'apparecchio rimanga in posizione verticale durante il trasporto.
- Proteggere lo sportello esterno in vetro con un panno o simile durante il trasporto.

# SPECIFICHE

## DESCRIZIONE DELL'APPARECCHIO

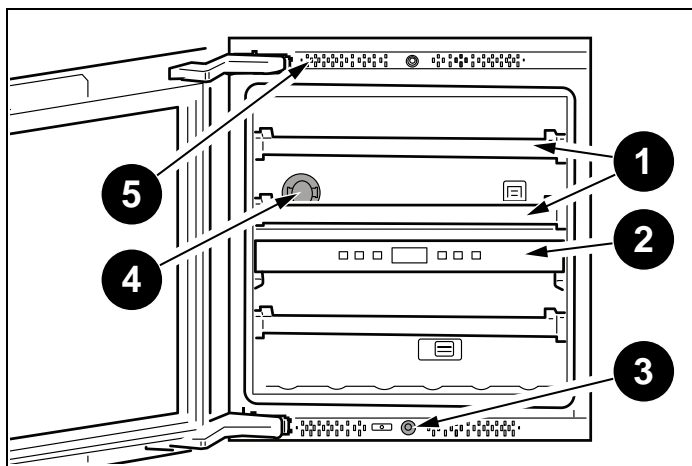


Fig. 1

- |  |  |
|--|--|
| 1) Ripiano vini  | 3) Apertura elettromagnetica a pressione |
| 2) Pannello di controllo e divisorio delle zone di temperatura | 4) Filtro a carboni attivi               |
|  | 5) Ventilazione anteriore                |

### NOTA



Le figure in questo manuale utente sono schematiche e potrebbero non corrispondere esattamente all'apparecchio. Se il vostro prodotto non ha le parti descritte, le informazioni si applicano ad altri modelli.

Questa unità è dotata di 3 sonde di temperatura:

- 1 **NTC1** nella zona di temperatura superiore
- 1 **NTC2** nella zona di temperatura inferiore
- una sonda di temperatura esterna **NTC3**.

È inoltre dotato di quattro ventole da 12 V, 1 compressore a inverter e 2 elementi riscaldanti.

- **Ventola della zona di temperatura superiore:** FAN1
- **Ventola della zona di temperatura centrale:** FAN3
- **Ventola della zona di temperatura inferiore:** FAN4
- **Ventola del compressore:** FAN2

## SPECIFICHE TECNICHE

ELEMENTO	DESCRIZIONE
Tipo di spina	SCHUKO
Tensione	220 V – 240 V
Frequenza	50 Hz
Fusibile	10 A
Amperaggio	0,6 A
Capacità	24 Bottiglie Bordeaux

Il refrigerante, il volume e altre specifiche tecniche sono riportate sulla targhetta.

## TEMPERATURA AMBIENTE

La temperatura ambiente consentita dipende dalla classe climatica:

CLASSE CLIMATICA	TEMPERATURA AMBIENTE AMMESSA
SN (Subnormale)	+ 10 °C a + 32 °C
N (Normale)	+ 16 °C a + 32 °C
ST (Sub Tropicale)	+ 16 °C a + 38 °C
T (clima tropicale)	+ 16 °C a + 43 °C

Le informazioni sulla classe climatica sono riportate sulla targhetta di identificazione.

Il normale funzionamento del frigorifero può essere compromesso in un ambiente con temperatura superiore o inferiore a quella ottimale. Ad esempio, se il frigorifero viene utilizzato in un ambiente estremamente freddo o caldo, la temperatura all'interno dell'armadio potrebbe fluttuare e non riuscire a raggiungere l'intervallo di temperatura impostato di 5-20°C. Nelle stagioni ad alto tasso di umidità, sulla superficie esterna del frigorifero può comparire condensa, che scompare al diminuire dell'umidità. Si raccomanda di installare l'apparecchio in un locale asciutto e ventilato o in un ambiente climatizzato.

# ISTRUZIONI PER L'INSTALLAZIONE

## PREPARAZIONE PER L'INSTALLAZIONE

**Questo frigorifero non deve mai essere montato vicino a fonti di calore, ad esempio termosifoni o angoli cottura, e nemmeno in luoghi umidi.**

**Per il montaggio del frigorifero, richiedere l'aiuto di una o due persone. Il frigorifero potrebbe avere spigoli vivi. Indossare DPI adeguati all'attività e all'ambiente.**

- Per assicurare che il frigorifero sia in piano, è opportuno regolare i piedini nella parte anteriore del frigorifero.
- Il sistema di raffreddamento nella parte posteriore del frigorifero non deve essere a contatto con il muro. Maggiore è lo spazio presente, meglio è.
- Il frigorifero deve avere un'adeguata ventilazione. Assicurarsi che vi sia spazio sopra di esso e tra di esso e il muro retrostante per consentire all'aria di fuoriuscire.
- Non devono esserci ostacoli intorno al refrigeratore o nella struttura incorporata e deve essere mantenuta la ventilazione.

Collegare l'apparecchio a una presa di corrente esclusiva e facilmente accessibile.

Qualsiasi domanda relativa all'alimentazione e/o al collegamento elettrico deve essere rivolta a un elettricista qualificato o a un centro di assistenza autorizzato.

## REQUISITI ELETTRICI

L'apparecchio deve essere installato con tutti i collegamenti elettrici in conformità ai codici statali e locali.



### ATTENZIONE

Non utilizzare cavi di prolunga o adattatori a due poli e non rimuovere il polo di terra del cavo di messa a terra.



### ATTENZIONE

Il corretto collegamento dei poli della presa deve essere verificato da elettricista qualificato.

Verificare che la messa a terra della presa sia corretta.



### AVVERTENZA

Non collegare l'apparecchio a spine elettroniche a risparmio energetico.

La presa deve essere conforme ai seguenti dati:

REQUISITI ELETTRICI	
Tipo di spina	SCHUKO
Outlet	2-prong
Tensione	220 V – 240 V
Frequenza	50 Hz
Fusibile	10 A

Dopo l'installazione, attendere almeno 3 ore prima di collegare l'apparecchio all'alimentazione elettrica per evitare di danneggiare il compressore.



### IMPORTANTE

Non utilizzare prolunghie e/o adattatori multipli per il collegamento.

Se il cablaggio elettrico o l'alimentazione elettrica del luogo di installazione richiede una modifica, le procedure necessarie devono essere eseguite da un elettricista qualificato.

Attenersi alle seguenti regole:

- La presa elettrica o il quadro elettrico devono essere facilmente accessibili in caso di emergenza e non nascosti dietro il prodotto.
- L'alimentazione deve essere facilmente scollegabile dopo l'installazione dell'apparecchio.

# ISTRUZIONI PER L'INSTALLAZIONE

---

- Né la spina né il cavo devono toccare la superficie posteriore dell'apparecchio. In caso contrario, potrebbero essere danneggiati dalle vibrazioni dell'apparecchio.
- Per evitare lesioni accidentali, il cavo deve essere fissato in modo tale da non essere danneggiato.
- Non collegare spine di altri apparecchi dietro il prodotto. In presenza di un alto tasso di umidità nel luogo di installazione, le superfici esterne dell'apparecchio sono soggette a corrosione. Per prevenire la corrosione mantenere il locale di installazione asciutto e ben pulito.

Per evitare il rischio di scosse elettriche:

- Collegare la spina a una presa a con messa a terra.
- Non rimuovere lo spinotto di terra.
- Non utilizzare adattatori.
- Non utilizzare cavi di prolunga.



## ATTENZIONE

Non collegare il cavo di messa a terra alla linea del gas. In caso di dubbi sulla corretta messa a terra dell'apparecchio, rivolgersi a un elettricista qualificato. Non installare un fusibile sulla linea del neutro o sul circuito di messa a terra.



## ATTENZIONE

La mancata osservanza di queste istruzioni può causare incendi, scosse elettriche o morte. Uno scorretto collegamento del conduttore di terra dell'apparecchio può comportare scosse elettriche. In caso di dubbi sulla corretta messa a terra dell'apparecchio, rivolgersi a un elettricista qualificato o a un tecnico di assistenza. Le operazioni di installazione, riparazione o di altro genere eseguite da persone non qualificate possono creare situazioni di pericolo. Prima di installare l'apparecchio, verificare che i valori di tensione, carico e corrente riportati sulla targhetta corrispondano a quelli della rete elettrica del luogo di installazione.

## VENTILAZIONE

Il calore che viene rimosso dal vano frigo deve essere dissipato nell'atmosfera. Una ventilazione errata può comportare un guasto prematuro del compressore, un consumo eccessivo di energia, il guasto totale del sistema, oltre a invalidare la garanzia fornita con l'apparecchio.

Questo refrigeratore per vini ha l'uscita dell'aria frontale. Per garantire una buona ventilazione, non è possibile collocare altri oggetti direttamente davanti al refrigeratore.



## NOTA

Lo sfiato dell'aria sul lato anteriore dell'apparecchio non deve mai essere coperto o ostruito in alcun modo.

# ISTRUZIONI PER L'INSTALLAZIONE

## DIMENSIONI DEL PRODOTTO

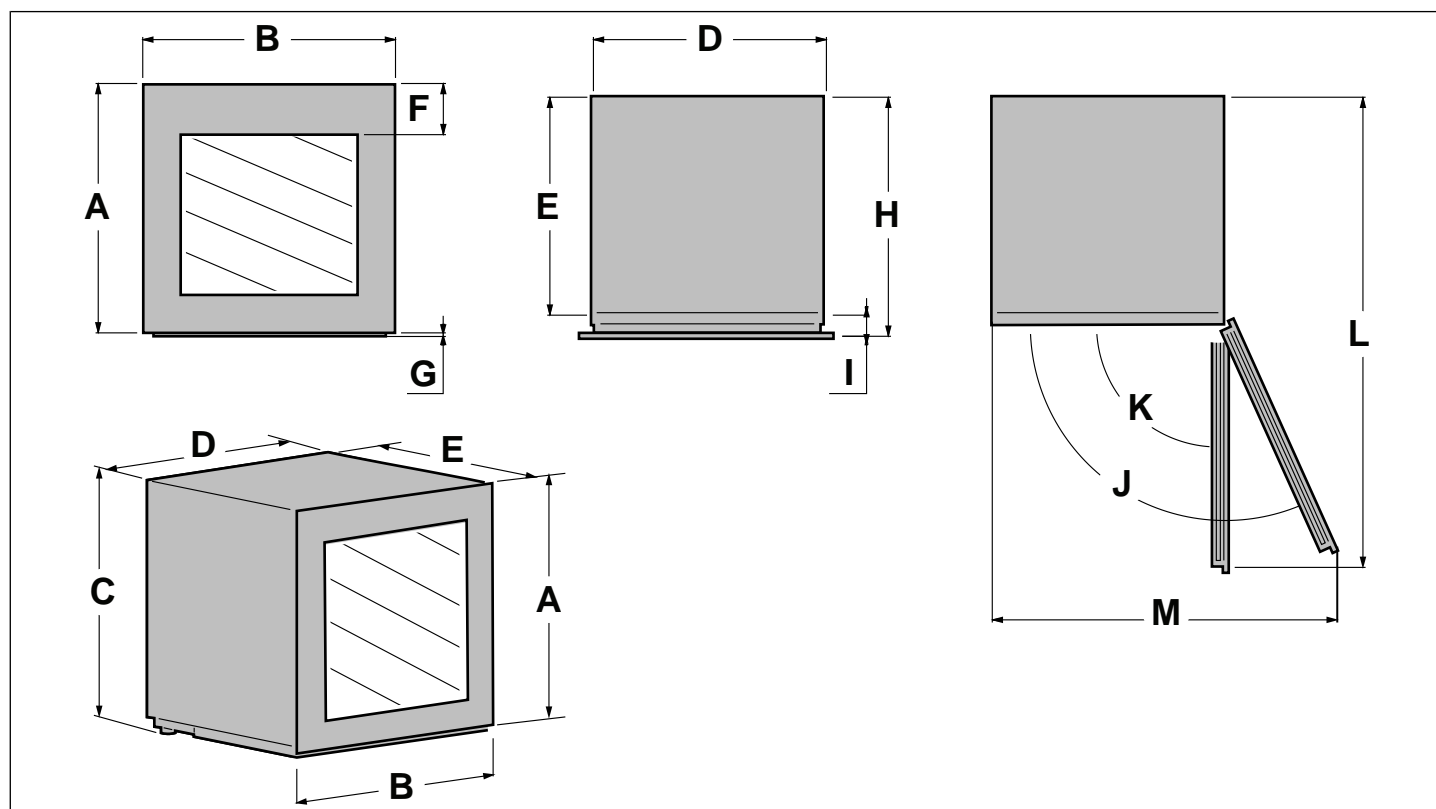


Fig. 2

A. 585 mm

B. 593 mm

C. 583 mm — 593 mm

D. 552 mm

E. 565 mm

F. 120 mm

G. 8 mm

H. 566 mm

I. 48 mm

J. 115°

K. 90°

L. 1150 mm

M. 770 mm

# ISTRUZIONI PER L'INSTALLAZIONE

## DIMENSIONI DI INTAGLIO DEL MOBILE

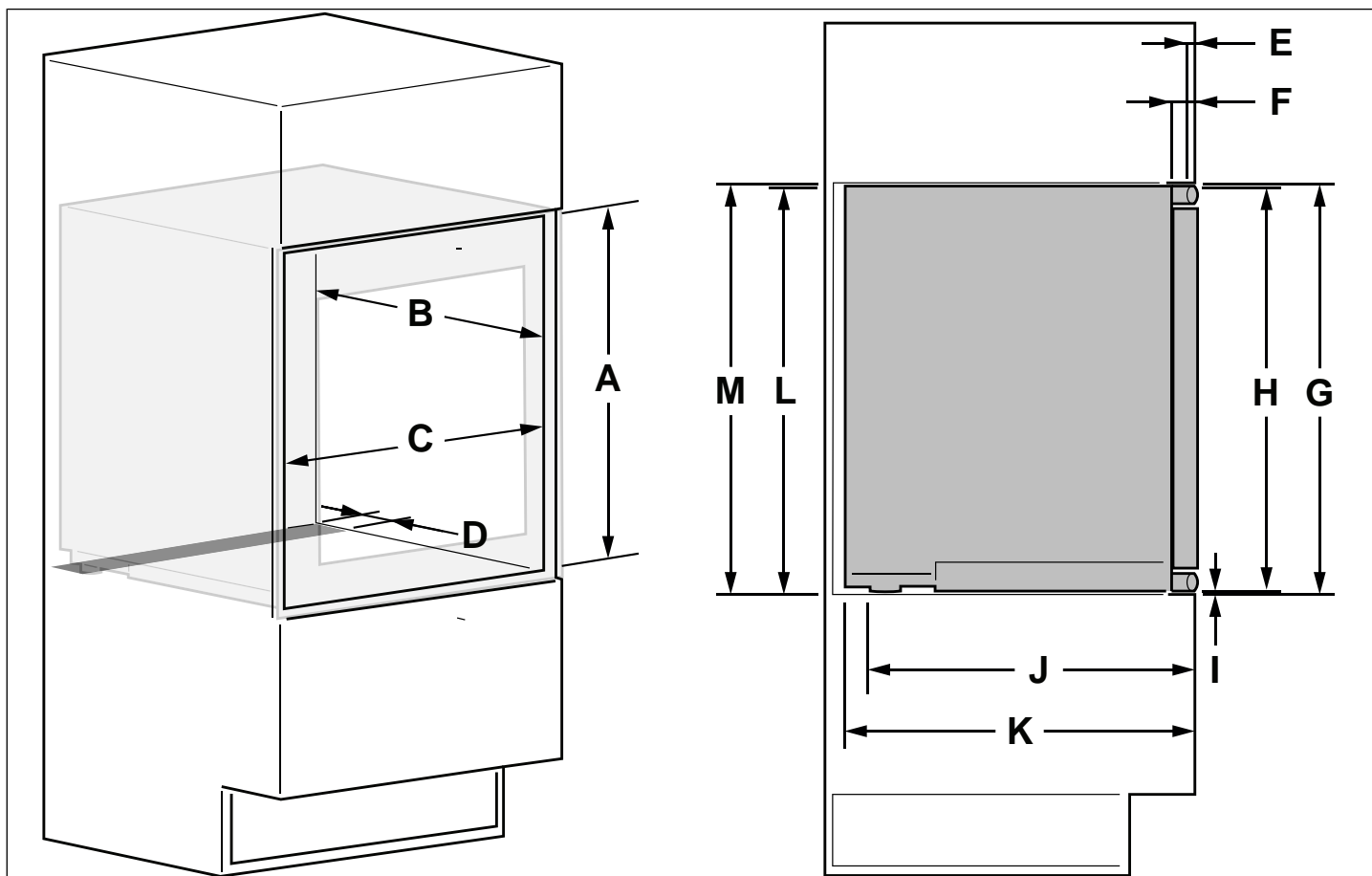


Fig. 3

**A.** 585 mm — 595 mm

**B.** Min. 560 mm

**C.** 560 mm — 590 mm

**D.** Max. 60 mm

**E.** Max. 25 mm

**F.** 48 mm

**G.** 593 mm

**H.** 585 mm

**I.** 8 mm

**J.** 506 mm

**K.** 565 mm

**L.** Min. 583 mm

**M.** Min. 585 mm

# ISTRUZIONI PER L'INSTALLAZIONE

## ISTRUZIONI PER L'INSTALLAZIONE



### NOTA

Il frigorifero deve essere collegato alla corrente prima dell'installazione.

- 1) Inserire l'apparecchio nel mobile di legno con le cerniere contro il mobile stesso.

Assicurarsi che la porta in vetro del frigorifero sia a filo con le porte dei mobili adiacenti.

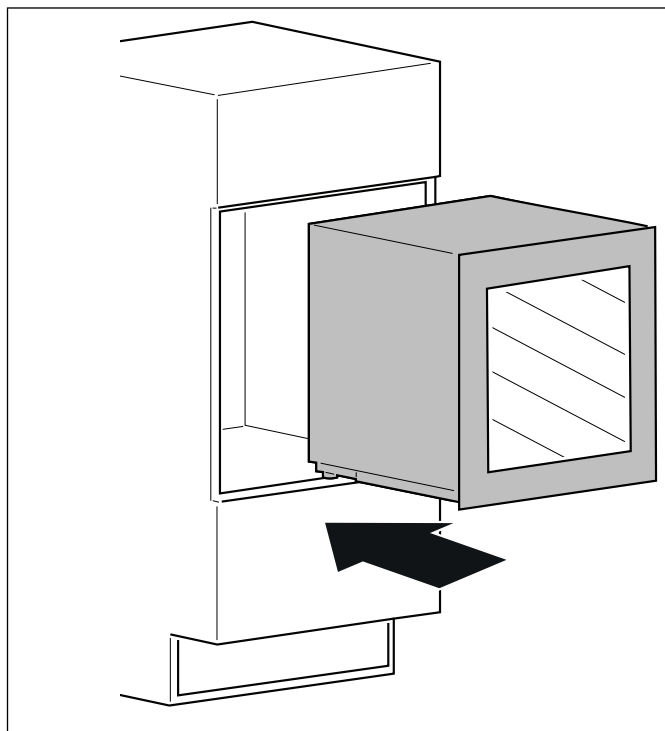


Fig. 4

- 2) Fissare il frigorifero alla parte superiore della nicchia del mobile mediante due viti sulla piastra metallica superiore.

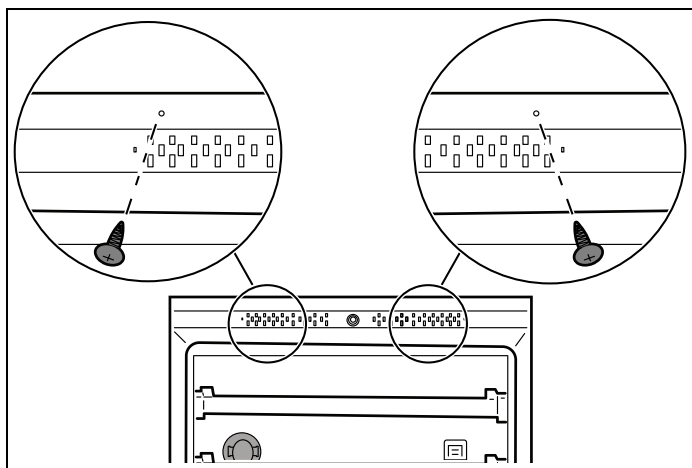


Fig. 5

- 3) Fissare il frigorifero al fondo della nicchia del mobile mediante due viti sulla piastra metallica inferiore.

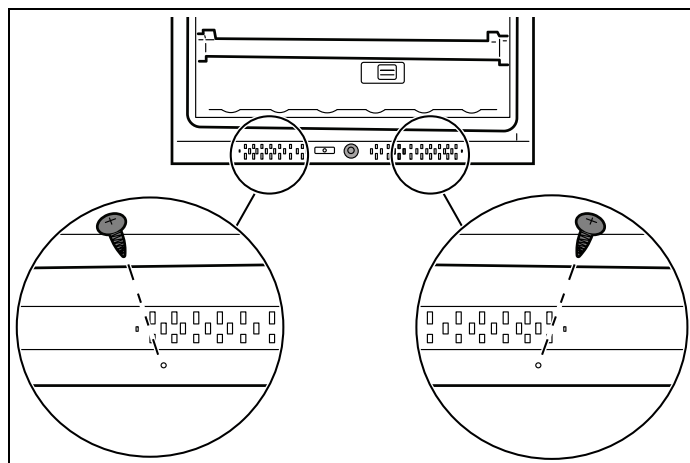


Fig. 6

- 4) Staccare l'adesivo 3M dalla striscia sigillante inclusa nella confezione degli accessori e, se necessario, tagliarla all'altezza corretta per la nicchia del mobile.

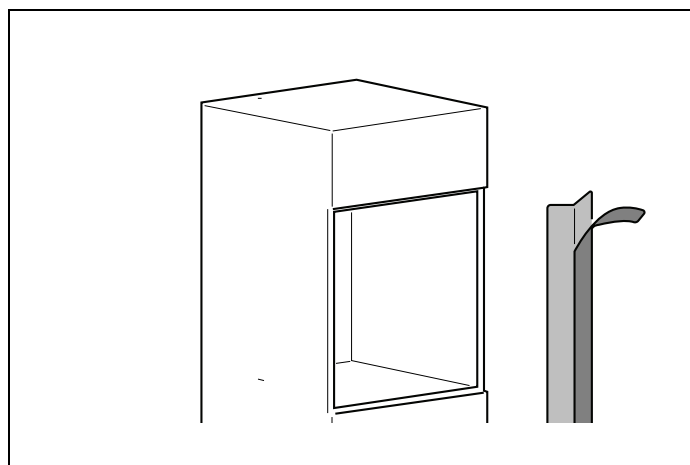


Fig. 7

# ISTRUZIONI PER L'INSTALLAZIONE

- 5) Premere il nastro nella fessura tra i lati interni del mobile e i lati dell'apparecchio. La striscia adesiva ha una funzione puramente estetica e non compromette la funzionalità dell'apparecchio se non viene applicata.

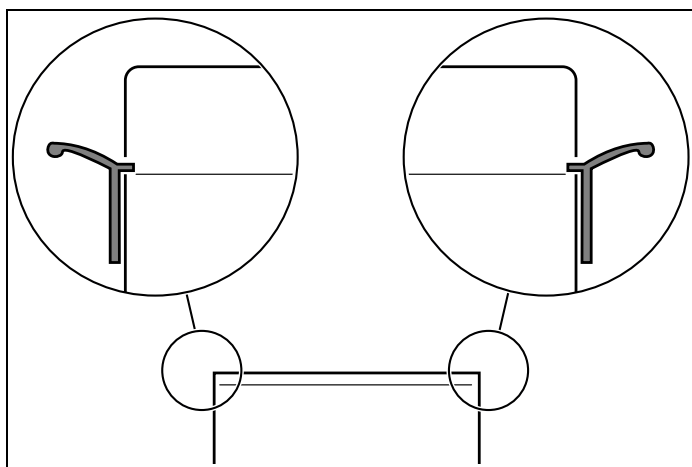


Fig. 8

- 6) L'installazione è completata.

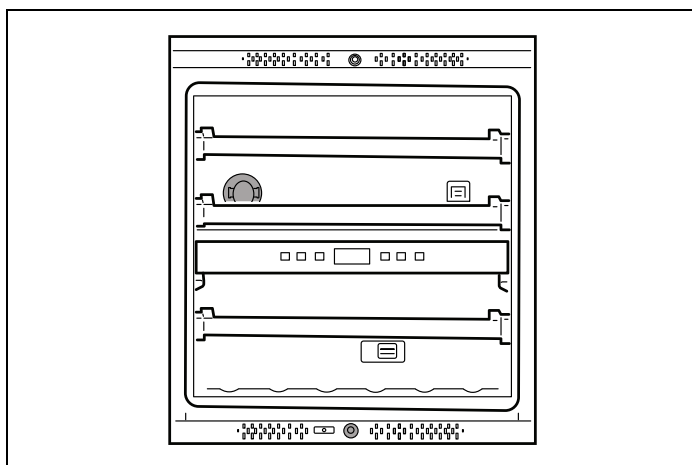
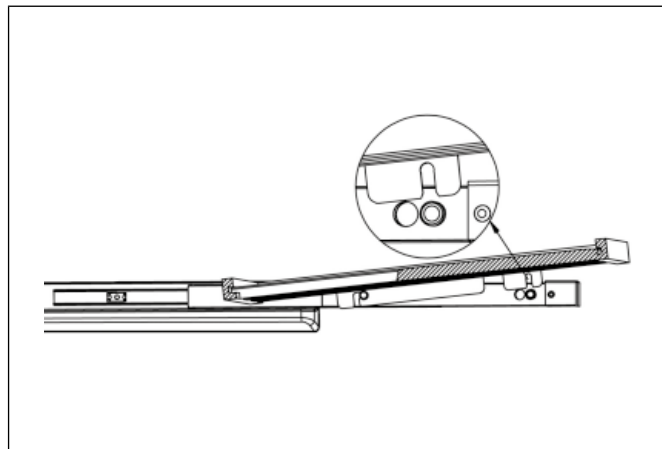


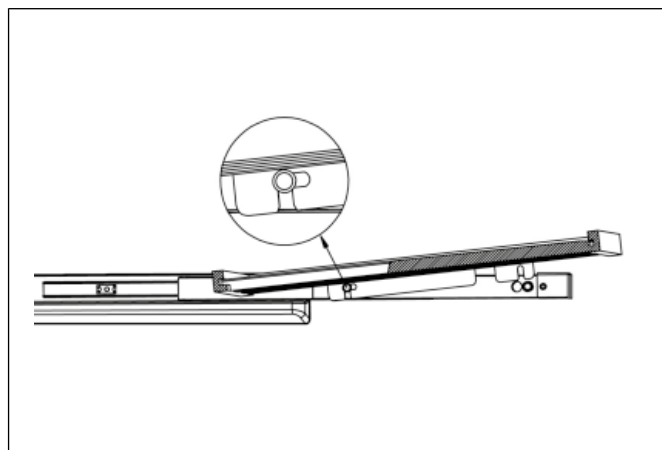
Fig. 9

## RIMOZIONE DEI RIPIANI

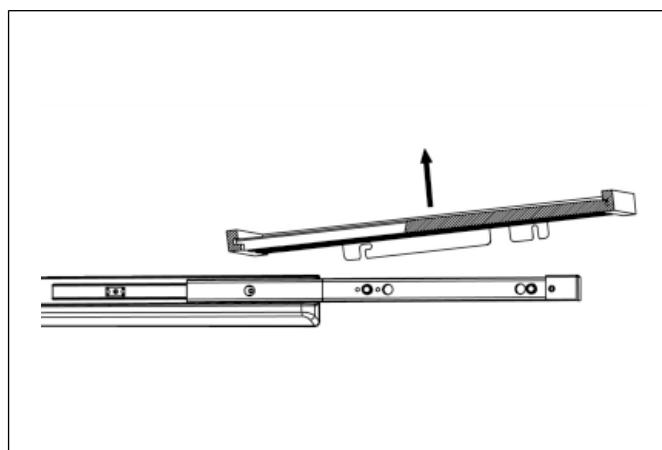
- 1) Estrarre il ripiano dei vini dalle guide telescopiche anteriori.



- 2) Tirare in avanti il ripiano. Il montante di fissaggio delle guide telescopiche è bloccato sul retro nella posizione mostrata nella figura.



- 3) Sollevare il ripiano per rimuoverlo.



## PRIMO UTILIZZO

**Rimuovere tutti gli imballaggi esterni e interni. Lasciare l'apparecchio in posizione verticale per almeno 24 ore prima di accenderlo.**

In questo modo si riduce la possibilità di un malfunzionamento del sistema di raffreddamento causato dalla manipolazione durante il trasporto.

- Pulire l'interno dell'apparecchio come raccomandato nel manuale di istruzioni. *Sezione PULIZIA E CURA* Prima di accendere l'apparecchio, assicurarsi che l'interno sia asciutto.
- Collegare l'apparecchio a una presa con messa a terra. L'illuminazione interna si accende quando si apre la porta dell'apparecchio.
- Far funzionare la Cantina Vini per 6 ore prima mettere bottiglie al suo interno e non aprire la porta a meno che non sia necessario.



### NOTA

Si sente un rumore quando il compressore si avvia. Anche i liquidi e i gas sigillati all'interno del sistema di refrigerazione possono produrre dei rumori, anche quando il compressore non è in funzione. Questo è del tutto normale.



### NOTA

I bordi anteriori dell'apparecchio potrebbero essere caldi al tatto. Questo è normale. Queste aree infatti sono progettate per essere calde al fine di evitare la formazione di condensa.

Durante il funzionamento, è possibile che si sentano alcuni rumori assolutamente normali:

- Ronzio: Il frigorifero è in funzione. La ventola del sistema di ricircolo dell'aria è in funzione.
- Ronzio o gorgoglio: il refrigerante scorre nelle tubature.
- Clic: il motore si accende o si spegne.

La porta di questo apparecchio può essere aperta solo dal lato sinistro.

Se si riceve un prodotto danneggiato, contattare immediatamente il rivenditore o il distributore presso il quale è stato acquistato il prodotto.

Leggere attentamente e seguire queste istruzioni per l'installazione, l'uso e la manutenzione dell'apparecchio.

Leggete la sezione di questo manuale dedicata alla risoluzione dei problemi, per diagnosticare e risolvere i problemi più comuni.

## CONSERVAZIONE INTERNA

Questo refrigeratore è dotato di 2 zone di temperatura indipendenti, la zona superiore regolabile da 5°C a 12°C, e la zona inferiore regolabile da 12°C a 20°C.

Le figure di questa sezione mostrano uno schema di caricamento utilizzando bottiglie standard per Bordeaux. Notare che il refrigeratore per vino può contenere anche bottiglie di diverso tipo. Le bottiglie Magnum possono essere riposte nel ripiano inferiore della zona superiore rimuovendo il ripiano superiore.

I ripiani in legno possono essere rimossi per aumentare la capacità di carico, ma rendono l'apparecchio meno pratico per l'uso quotidiano. Per rimuovere un ripiano, vedere il paragrafo *RIMOZIONE DEI RIPIANI*.

La configurazione che garantisce il maggior risparmio energetico richiede la presenza dei ripiani.

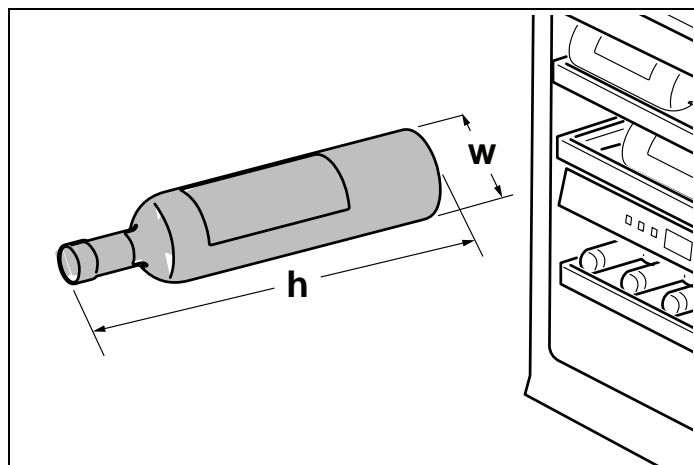


Fig. 10

• w. 76 mm

• h. 300 mm

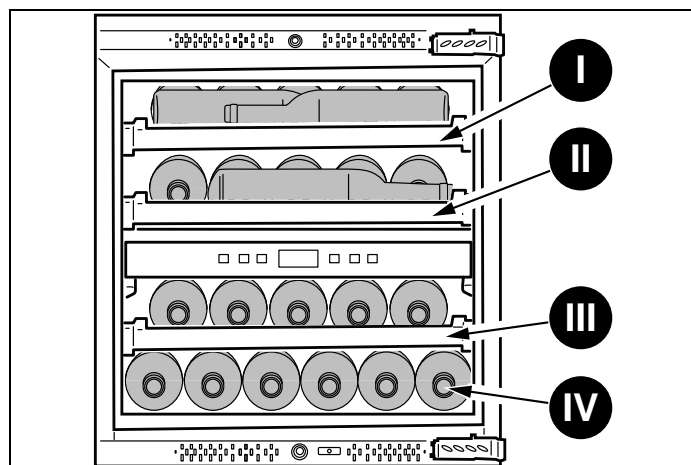


Fig. 11

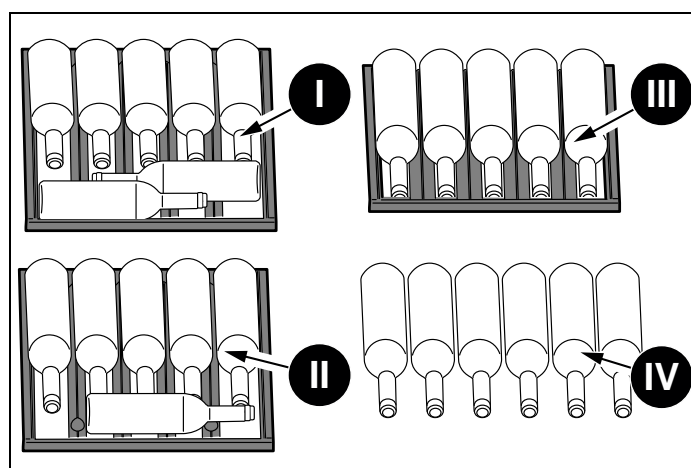


Fig. 12

CAPACITÀ DI CARICO		CONSERVAZIONE BOTTIGLIE (BOTTIGLIA 1- TIPO BORDEAUX)	
Zona superiore	Ripiano superiore (I)		7
	Ripiano inferiore (II)		6
Zona inferiore	Ripiano superiore (III)		5
	Ripiano inferiore (IV)		6
<b>Totale</b>			<b>24</b>

## CONSERVAZIONE E SERVIZIO DEL VINO

Per apprezzare al meglio le qualità organolettiche di ogni vino, è necessario che la conservazione e il consumo vengano effettuati a determinate temperature.

La tabella seguente riassume le temperature di conservazione maggiormente indicate per ogni tipologia di vino. Si raccomanda, in particolare per bottiglie più pregiate, di seguire opportunamente le istruzioni fornite dal produttore.

TIPO DI VINO	TEMPERATURA DI CONSERVAZIONE (°C)
Bianchi giovani e leggeri	10 - 12
Bianchi maturi e strutturati	12 - 14
Bianchi aromatici	8 - 10
Rosati giovani e leggeri	10 - 12
Rosati maturi e corposi	12 - 14
Rossi novelli	10 - 14
Rossi giovani, poco tannici e leggeri	14 - 16
Rossi maturi, tannici e corposi	16 - 18
Rossi molto maturi, tannici e corposi	16 - 18
Spumanti dolci e aromatici	8 - 10
Spumanti rossi dolci e aromatici	10 - 12
Spumanti metodo Charmat	8 - 10
Spumanti metodo Charmat lungo	10 - 12
Spumanti metodo Classico	8 - 10
Spumanti metodo Classico Millesimato	10 - 12
Frizzanti secchi e semiseccchi	8 - 10
Frizzanti amabili	10 - 12
Frizzanti dolci superiori	10 - 12
Vini liquorosi o fortificati e passiti	10 - 18

TIPO DI VINO	TEMPERATURA DI CONSERVAZIONE (°F)
Vini bianchi giovani e leggeri	50 - 54
Vini bianchi maturi e strutturati	54- 57
Vini bianchi aromatici	46- 50
Vini bianchi giovani e rosè	50- 54
Vini rosè maturi e corposi	54- 57
Vini rossi giovani	50 - 57
Vini rossi giovani, leggermente tannici e leggeri	57- 61
Rossi maturi, tannici e corposi	16 - 18
Vini rossi molto maturi, tannici e corposi	61- 64
Vini frizzanti dolci e aromatici	46- 50
Vini frizzanti rossi dolci e aromatici	50- 54
Vini spumanti metodo Charmat	46- 50
Spumanti metodo Long Charmat	50- 54
Vini spumanti metodo classico	46- 50
Spumanti metodo classico Millesimati	50- 54
Spumanti secchi e semiseccchi	46- 50
Vini semi spumanti	50 - 54
Vini spumanti dolci superiori	50 - 54
Vini fortificati, da dessert o passiti	50 - 64

## Vini bianchi

I vini bianchi non vengono serviti ad alta temperatura perché generalmente più acidi dei vini rossi e poco tannici, motivo per cui sono più gradevoli a bassa temperatura.

Questi vini vanno preferibilmente conservati e serviti tra i 10 e 14 °C (50 e 57 °F). I vini giovani, freschi e aromatici possono essere serviti anche a 10 °C (50 °F), mentre per quelli meno aromatici sono consigliabili 12 °C (54 °F). Le temperature comprese tra i 12 e 14 °C (54 e 57 °F) sono adatte a vini bianchi morbidi e maturi, affinati per qualche anno in bottiglia. Temperature più alte favorirebbero l'esaltazione del carattere dolce del vino, a scapito dell'acidità e del sapore che, per questo tipo di vino, sono invece considerate caratteristiche piacevoli e desiderabili.

## Vini rosati

I vini rosati si servono generalmente alla stessa temperatura dei vini bianchi. Va sottolineato tuttavia che questi vini possono contenere una certa quantità di tannini e può essere dunque preferibile assaporarli a temperature più elevate in modo da non renderli troppo astringenti. Di conseguenza, si servono tra i 10 e 12 °C (50 e 54 °F) se giovani e freschi e tra i 12 e 14 °C (54 e 57 °F) se più robusti e maturi.

## Vini rossi

Contenendo più tannini ed essendo meno acidi, i vini rossi vengono normalmente serviti a temperature più alte.

I vini più giovani e meno tannici si servono generalmente tra i 14 e 16 °C (57 e 61 °F), mentre quelli più corposi e tannici possono essere serviti a 16 °C (64 °F), eccezionalmente anche a 18 °C (64 °F). Alcuni vini affinati per anni in bottiglia, ancora corposi e tannici, possono essere serviti a 18 °C (64 °F) o anche a 20 °C (68 °F). I vini rossi novelli poveri di tannini e meno strutturati possono essere gustati a temperature più basse, tra i 12 e 14 °C (54 e 57 °F).

## Vini spumanti

Vista l'elevata varietà di spumanti esistenti, è difficile fornire indicazioni valide per tutti.

In linea generale, gli spumanti più dolci e aromatici dovrebbero essere serviti a temperature più basse, fino a 8 °C (46 °F), grazie alla loro aromaticità. Gli spumanti più tannici possono essere serviti a temperature più alte, fino a 14 °C (57 °F).

Gli spumanti secchi metodo Charmat o Martinotti, come ad esempio alcuni Proseccchi, vanno generalmente serviti tra gli 8 e 10 °C (46 e 50 °F). Anche gli spumanti metodo Classico e i "méthode Champenoise" come lo Champagne vengono normalmente serviti a queste temperature ma, per gli spumanti affinati per qualche tempo quali i Millesimati, si può arrivare fino a 12 °C (54 °F) per favorire lo sviluppo degli aromi complessi.

È comunque consigliabile, soprattutto per i vini più pregiati, seguire le raccomandazioni del produttore, riportate sulla bottiglia.

## Vini frizzanti

Per i vini frizzanti valgono generalmente le stesse indicazioni di temperatura degli spumanti e si servono generalmente tra i 10 e 12 °C (50 e 54 °F). Per i vini frizzanti secchi e semiseccchi, è consigliata una temperatura di servizio leggermente più bassa, tra gli 8 e 10 °C (46 e 50 °F).

## Vini liquorosi e passiti

Questo tipo di vini può essere servito a temperature tra 14 e 18 °C (61 e 64 °F) a seconda dei gusti personali e, per attenuare il gusto dolce e l'alta percentuale di alcool, si può arrivare anche a 10 °C (50 °F).

I vini liquorosi secchi, come ad esempio il Marsala, contengono tanto zucchero da non essere percepiti al palato. Per questi vini, la temperatura di servizio deve essere impostata a seconda di ciò che si vuole sottolineare. Se si preferisce accentuare la dolcezza del vino, la complessità del suo bouquet e la sua austerità, è meglio servirlo a una temperatura elevata, fra 14 °C e 18 °C (61 e 64 °F), ricordando che in questo modo si esalta anche la componente alcolica. Se se ne vuole esaltare maggiormente la freschezza, vanno serviti a una temperatura più bassa, compresa fra 10 °C e 14 °C (50 e 61 °F). I vini liquorosi secchi, freschi e giovani possono essere serviti anche a una temperatura inferiore ai 10 gradi °C (50 °F) per ridurre in modo significativo la percezione dell'alcol. Tuttavia, più bassa è la temperatura di servizio, minore sarà la percezione dell'aroma. La piacevolezza e la complessità dell'aroma tipica di questi vini è una caratteristica gradita e interessante: servirli troppo freddi sacrificerebbe questo aspetto importante.

## PANNELLO DI CONTROLLO

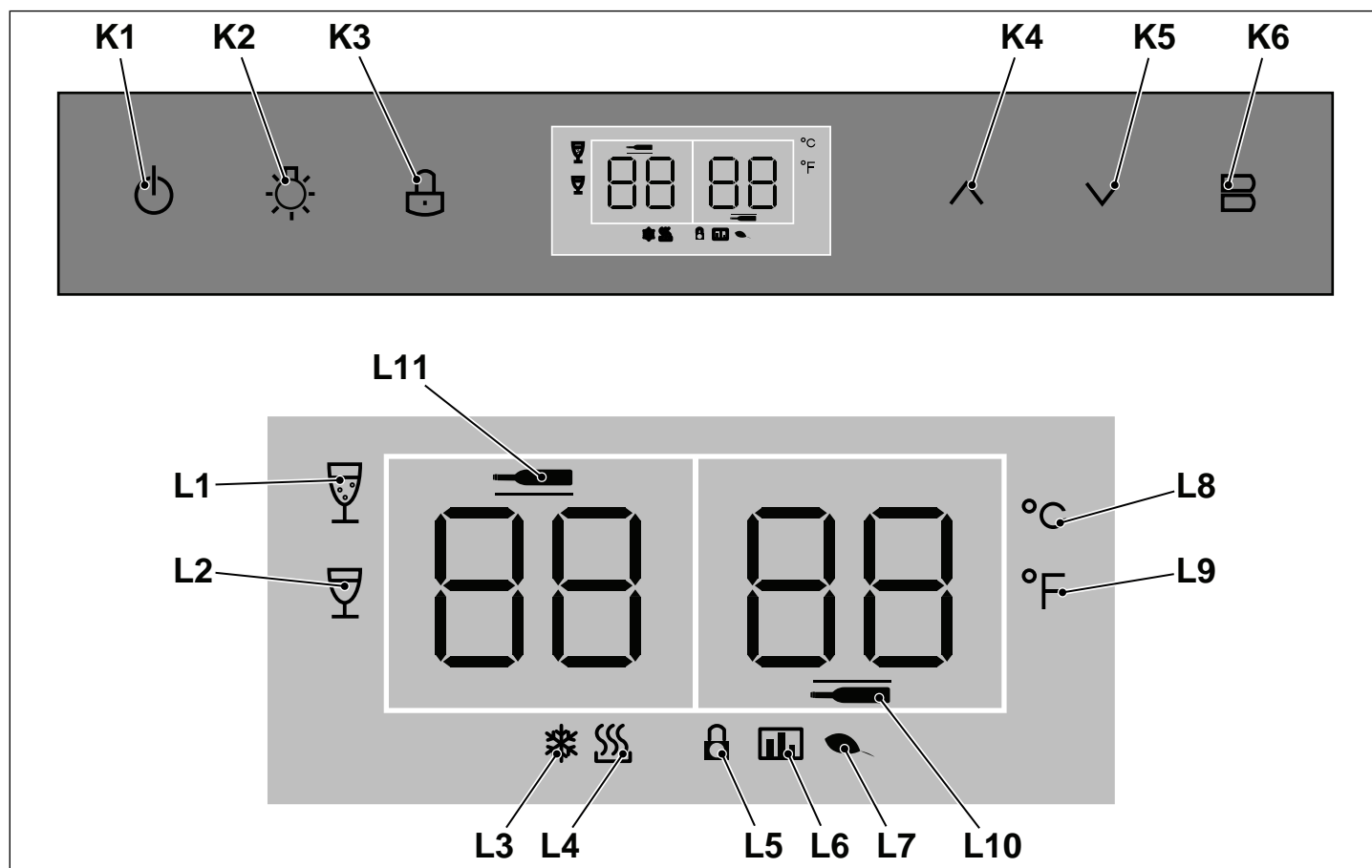


Fig. 13

- **[K1]** Pulsante On/Off
- **[K2]** Pulsante Luce
- **[K3]** Pulsante Blocco per bambini
- **[K4]** Pulsante Aumento della temperatura
- **[K5]** Pulsante Diminuzione della temperatura
- **[K6]** Pulsante Selezione zona di temperatura
- **[L1]** Icona Modalità Vino spumante
- **[L2]** Icona Modalità Vino bianco
- **[L3]** Icona Raffreddamento
- **[L4]** Icona Riscaldamento
- **[L5]** Icona Blocco per bambini
- **[L6]** Icona Modalità Showroom
- **[L7]** Icona Modalità Risparmio energetico
- **[L8]** Icona Gradi Celsius
- **[L9]** Icona Gradi Fahrenheit
- **[L10]** Icona Zona temperatura inferiore
- **[L11]** Icona Zona temperatura superiore

## TASTO DI ACCENSIONE/SPEGNIMENTO

Serve per l'accensione o lo spegnimento generale dell'apparecchio. Premere **[K1]** per 3 secondi per accendere e spegnere l'apparecchio. Quando è spento, l'apparecchio si scollega da tutte le fonti di alimentazione esterne e passa allo stato di standby. Nello stato di spegnimento, il pulsante **[K1]** lampeggia ogni 2 secondi quando viene aperta la porta.

## ABILITAZIONE/DISABILITAZIONE BLOCCO BAMBINI

Il blocco bambini è una funzione per impedire ai bambini di modificare le impostazioni dell'apparecchio. Premere il pulsante **[K3]** per 3 secondi bloccare/sbloccare il pannello di controllo.

Quando il blocco bambini è attivato, si accende l'icona di blocco sul display digitale, accompagnata da un segnale acustico per indicare che il display è bloccato. Disattivare il blocco bambini per modificare le impostazioni.



### NOTA

Ogni volta che viene ripristinata l'alimentazione, il sistema passa automaticamente allo stato di sblocco.

## PULSANTI DI REGOLAZIONE DELLA TEMPERATURA

Per modificare la temperatura del refrigeratore, selezionare innanzitutto la zona superiore o inferiore con il pulsante **[K6]**; le icone **[L11]** o **[L10]** della zona selezionata iniziano a lampeggiare sul display. Premere il pulsante **[K4]** per aumentare il valore della temperatura di 1 grado ad ogni pressione. Premere il pulsante **[K5]** per diminuire il valore della temperatura di 1 grado ad ogni pressione. La temperatura può essere impostata da 5°C (41°F) a 12°C (54°F) nella zona superiore e da 12°C (54°F) a 20°C (68°F) nella zona inferiore, rendendo la zona superiore ideale per i vini bianchi e quella inferiore per i vini rossi. Le temperature sono impostate quando i valori smettono di lampeggiare dopo 5 secondi e il refrigeratore emette un suono.



### NOTA

Quando si modifica la temperatura delle zone, inizialmente ciascun display continua a visualizzare la temperatura della zona. Quindi i valori effettivi all'interno delle zone cambiano gradualmente fino a raggiungere le temperature impostate desiderate. L'apparecchio impiegherà un po' di tempo per raggiungere le nuove temperature impostate; questo è normale.



### NOTA

Quando il compressore è in funzione per il raffreddamento, sul display viene visualizzata l'icona del fiocco di neve e una, o entrambe, le icone **[L11]** o **[L10]** che rappresentano le due zone di temperatura lampeggiano, indicando che la zona o le zone si stanno raffreddando.

La zona di temperatura superiore offre due modi per conservare il vino a diversi intervalli di temperatura, come indicato nella tabella seguente.

ZONA DI TEMPERATURA	TIPO DI VINO	IMPOSTAZIONE PREDEFINITA DELLA TEMPERATURA	INTERVALLO DI TEMPERATURA °C	INTERVALLO DI TEMPERATURA °F
Zona superiore	Modalità vini spumanti ( <b>icona L1</b> )	5	5-8	41-47
Zona superiore	Modalità Vino bianco ( <b>icona L2</b> )	9	9-12	48-54
Zona inferiore	Modalità Vino rosso	12	12-20	54-68

## MODALITÀ DI INTRATTENIMENTO

L'accensione e lo spegnimento delle luci LED dipendono dall'apertura/chiusura della porta. Quando si apre la porta, le luci si accendono automaticamente. Quando la porta viene chiusa, le luci si spengono per risparmiare energia.

Premere il pulsante **[K2]** per attivare la modalità di intrattenimento e mantenere la luce costantemente accesa anche quando la porta è chiusa. Ogni volta che si preme il pulsante, viene emesso un segnale acustico.



### NOTA

Se si spegne il refrigeratore mentre è attiva la modalità intrattenimento, questa rimarrà attiva quando verrà riacceso il refrigeratore.

## SELEZIONE GRADI CELSIUS E FAHRENHEIT

Per passare da Celsius a Fahrenheit, premere i pulsanti **[K4]** + **[K5]** contemporaneamente per 3 secondi mentre il refrigeratore è bloccato. Dopo un "bip", l'indicazione della temperatura passa da °C a °F. L'impostazione di fabbrica è Celsius.

## MODALITÀ SHOWROOM

In stato di sblocco, premere contemporaneamente i pulsanti **[K2]** + **[K6]** per 5 secondi per attivare la funzione.

Questa modalità viene utilizzata quando il frigorifero è esposto in un negozio o se si desidera spegnere il raffreddamento e disattivare tutte le altre funzioni, ad eccezione dell'illuminazione interna. Quando è abilitata, compare sul display dopo un segnale acustico l'icona Showroom **[L6]** (a seconda del modello). Premere **[K2]** + **[K6]** contemporaneamente per disattivare la modalità Showroom in qualsiasi momento.



### NOTA

Non conservare gli alimenti in modalità showroom, perché l'apparecchio rimane a temperatura ambiente. Se la cantina vini viene spenta mentre è attiva la modalità showroom, la modalità showroom rimarrà attiva quando la cantina vini verrà riaccesa.

## MODALITÀ SHABBAT

Premere contemporaneamente i pulsanti **[K5]** e **[K6]** per 3 secondi per attivare/disattivare la funzione. Quando la funzione Modalità Shabbat è attivata, tutte le luci, i cicalini e i display digitali si spengono. Il compressore e la ventola continueranno a funzionare normalmente. La modalità si disattiva automaticamente dopo 36 ore di funzionamento. Lo stato non viene mantenuto se il dispositivo viene spento. Premere contemporaneamente i pulsanti **[K5]** e **[K6]** per 3 secondi per disattivare in qualsiasi momento la funzione Shabbat. In modalità Shabbat, toccando un tasto qualsiasi si accendono le luci del display e dei tasti, che si spengono dopo 5 secondi di inattività.

## MODALITÀ DI RISPARMIO ENERGETICO

Nello stato di blocco (con i tasti e il display illuminati), toccare il tasto **[K2]** per 3 secondi. Dopo un segnale acustico, si accende l'icona del risparmio energetico **[L7]** l'illuminazione dei tasti si spegne e rimane acceso solo il display digitale. Quando tutti i tasti sono spenti, toccando brevemente un tasto qualsiasi si accende l'illuminazione del tasto per 5 secondi, prima di spegnersi nuovamente.

Toccando nuovamente **[K2]** per 3 secondi si spegne il display digitale. Nello stato completamente spento, toccando un tasto qualsiasi si attiva sia la luce del pulsante che il display per 5 secondi. Toccando **[K2]** per 3 secondi una terza volta si ripristina lo stato sempre acceso e si spegne l'icona del risparmio energetico.

## ALLARME PORTA APERTA

Se la porta del refrigeratore rimane aperta per più di 3 minuti, le spie iniziano a lampeggiare, si attiva un allarme acustico e il compressore smette di funzionare. Premere un tasto qualsiasi, tranne il tasto di accensione, per interrompere l'allarme e ripristinare le funzioni del display; in questo modo si azzerà il timer. Chiudere la porta per evitare che la temperatura diventi troppo elevata.

## CURA E MANUTENZIONE

---



### AVVERTENZA

Scollegare sempre l'alimentazione del frigorifero prima di procedere alla pulizia e alla manutenzione.

### ISTRUZIONI PER LA SOSTITUZIONE DELLA LUCE A LED

Per garantire un'illuminazione interna ottimale, le strisce LED illuminano l'apparecchio dall'alto e i set di luci LED illuminano direttamente le diverse aree.

In caso di anomalie e/o guasti del sistema di illuminazione, le riparazioni devono essere eseguite da un tecnico per l'assistenza qualificato.

### PULIZIA DELLE SUPERFICI INTERNE

Per pulire l'interno della Cantina Vini, aprire la porta e rimuovere i ripiani. Pulire l'interno dell'unità con un panno pulito e un detergente delicato o con una spugna morbida e una soluzione di bicarbonato e acqua tiepida. Non utilizzare prodotti abrasivi o detersivi. Dopo il lavaggio, sciacquare e asciugare accuratamente.

Pulire i ripiani in legno con un panno morbido e leggermente umido. Evitare l'uso di saponi, detersivi e/o spugne che possono danneggiare le superfici in legno e in acciaio. Asciugare con cura i ripiani prima di riportarli nella Cantina Vini.



### AVVERTENZA

Non utilizzare aceto, alcool denaturato o altri detersivi a base di alcool su nessuna delle superfici interne.

Se il frigorifero non sarà usato per un periodo lungo, scollegare la corrente e pulirlo. Le porte devono essere lasciate leggermente aperte per prevenire la formazione di muffa e cattivi odori.

### SBRINAMENTO

La Cantina Vini è progettata con un sistema di sbrinamento automatico. Tuttavia, in caso di temperature più basse, è possibile che si formi della brina. Inoltre, più le condizioni ambientali sono umide, più la brina può accumularsi. Tenere la porta chiusa il più possibile ed evitare di aprirla inutilmente per ridurre al minimo la formazione di ghiaccio.

Se la brina impedisce alla porta di chiudersi correttamente, potrebbe essere necessario spegnere l'unità finché la brina non si scioglie (fino a 24 ore). Per asciugare l'unità, utilizzare un canovaccio morbido e assorbente.



### AVVERTENZA

Non danneggiare i tubi del refrigerante.

### RUMORI E SIGNIFICATO

Questa Cantina Vini può emettere alcuni suoni durante il funzionamento che sono del tutto normali.

Le superfici rigide, come il pavimento o le pareti, possono far sembrare i suoni più forti di quelli reali.

Nell'elenco che segue sono riportati i suoni più comuni e le loro cause:

- tintinnio: dovuto al flusso di refrigerante o a oggetti collocati sopra l'apparecchio.
- suoni forti o acuti: i suoni emessi dal compressore ad alta efficienza sono dovuti al normale funzionamento.
- schizzi: dovuti al passaggio dell'acqua dall'evaporatore al contenitore dell'acqua.
- gorgoglio: il refrigerante fluisce nell'apparecchio.
- rumore di aria: aria che viene spinta sul condensatore dalla ventola.

### MANCANZA DI CORRENTE

La maggior parte delle interruzioni di corrente si risolve in poche ore e non dovrebbe influire sulla temperatura dell'apparecchio se si riduce al minimo il numero di aperture della porta. Se l'interruzione di corrente si protrae per un periodo prolungato, è necessario adottare misure adeguate per proteggere il contenuto dell'apparecchio.

## RISOLUZIONE DEI PROBLEMI

---

In caso di problemi con l'apparecchio, consultare questa sezione per la risoluzione dei problemi prima di chiamare l'Assistenza Clienti.

### **Se il frigorifero non funziona, verificare che:**

- L'alimentazione sia collegata.
- I fusibili dell'impianto domestico siano intatti, così come quelli della spina.
- L'apparecchio non è stato spento.
- La presa di corrente funzioni correttamente. A tal fine, collegare la spina di un altro dispositivo per verificare che la presa funzioni.

### **Se il frigorifero funziona, ma non come dovrebbe, verificare che:**

- Il frigorifero non sia sovraccarico.
- La temperatura ambiente non supera la temperatura ottimale di funzionamento del refrigeratore per vini.
- Il termostato sia impostato su una temperatura adeguata.
- Le porte si chiudano correttamente.
- Il sistema di raffreddamento nella parte posteriore del frigorifero sia pulito e privo di polvere e che non sia a contatto con il muro.
- Vi sia ventilazione sufficiente ai lati e sul retro.

### **Se il frigorifero non è abbastanza freddo, verificare che:**

- La temperatura non sia impostata troppo alta.
- L'apparecchio non sia installato vicino a una fonte di calore.
- La porta non venga aperta troppo spesso o per lunghi periodi di tempo.
- La guarnizione della porta si chiuda correttamente.
- L'apparecchio non sia impostato sulla modalità demo.
- L'apparecchio sia sufficientemente ventilato e installato secondo i requisiti di installazione specificati in questo manuale.

### **Se il frigorifero è rumoroso, verificare che:**

- Sia posizionato in piano e in modo stabile.
- I ripiani siano posizionati correttamente all'interno dell'apparecchio.
- La temperatura ambiente è più calda del normale.
- La guarnizione della porta è correttamente sigillata.
- La porta non venga aperta troppo spesso o per lunghi periodi di tempo.
- L'apparecchio sia sufficientemente ventilato e installato secondo i requisiti di installazione specificati in questo manuale.



### **NOTA**

Il gas di raffreddamento del frigorifero potrebbe emettere dei gorgoglii anche quando il compressore non è in funzione.



### **NOTA**

Alcuni scoppiettii o scricchioli sono del tutto normali. Sono causati dall'espansione e dalla contrazione delle pareti interne a causa delle variazioni di temperatura.

### **Se non si riesce a chiudere correttamente la porta, verificare che:**

- Sia posizionato in piano e in modo stabile.
- Le cerniere della porta non siano allentate.
- La guarnizione della porta non sia sporca o allentata.
- I ripiani siano posizionati correttamente all'interno dell'apparecchio.

### **Se il frigorifero emette dei beep, verificare che:**

- Le porte siano chiuse. Dopo 3 minuti dall'apertura di una porta, scatta un allarme.

### **Se nell'apparecchio si è formata brina:**

- L'ambiente è troppo umido.
- La temperatura ambiente è troppo bassa.
- La porta viene aperta troppo spesso.
- L'apparecchio è dotato di un sistema di sbrinamento automatico ma, in determinate condizioni, potrebbe essere necessario uno sbrinamento manuale. Se periodicamente si forma della brina, provare a far funzionare il frigorifero a una temperatura più calda, riducendo al minimo il numero di aperture della porta o staccando la spina per consentire alla brina di sciogliersi.
- Controllare la presenza di eventuali deformazioni, difetti o sporcizia sulla guarnizione della porta. In caso di difetti che non è possibile ripristinare in autonomia, contattare l'assistenza clienti per sostituire la guarnizione.
- La/e porta/e del modulo potrebbe/ro non essere montata/e correttamente. In caso di dubbi, chiedere al montatore di controllare le porte del modulo.

### **Se una o più unità LED all'interno dell'apparecchio non funzionano:**

- Verificare che le luci non siano state spente con l'apposito pulsante del display.
- Verificare la presenza di alimentazione.
- Verificare che il circuito della presa o il fusibile non siano danneggiati.
- Contattare l'assistenza clienti per programmare un controllo.

### **Se il corpo dell'apparecchio è elettrificato:**

## RISOLUZIONE DEI PROBLEMI

---

- L'unità non è correttamente collegata a terra. Contattare il proprio elettricista per testare l'impianto di messa a terra.

## CODICI DI ERRORE

In caso di malfunzionamento, contattare un tecnico per le riparazioni.

SPIEGAZIONE	CODICE DI CORTO CIRCUITO
Cortocircuito del sensore di temperatura dello spazio	HH
Circuito aperto del sensore di temperatura dello spazio	LL
Allarme di alta temperatura	25/77
Allarme di bassa temperatura della zona di temperatura superiore	2
Allarme di bassa temperatura della zona di temperatura inferiore	5
Cortocircuito del sensore di temperatura ambiente	1H
Circuito aperto del sensore di temperatura ambiente	1L



### NOTA

In presenza di un codice di guasto, il display visualizza il codice di guasto e l'indicatore acustico emette un allarme.

Se si desidera disattivare il suono dell'allarme, premere il tasto on/off.



### NOTA

Se la finestra del display mostra "HH" o "LL" accompagnato da un "bip" continuo, il sensore di temperatura è guasto. Contattare immediatamente un tecnico per la riparazione.

#### 1) Allarme di alta temperatura:

- L'allarme si attiva se si verifica una delle seguenti condizioni (valutate separatamente per ciascuna zona di temperatura): 1. Temperatura della zona  $\geq 25^{\circ}\text{C}$  per oltre 3 ore.
- Caratteristiche dell'allarme: L'illuminazione a LED e lo schermo digitale visualizzano  $25^{\circ}\text{C}$  o  $77^{\circ}\text{F}$  lampeggianti simultaneamente, l'indicatore acustico emette l'allarme, con frequenza di lampeggio di 1 volta ogni 3 secondi.
- L'uscita automatica dalla situazione di allarme richiede che siano osservate tutte le condizioni seguenti: Temperatura della zona  $< 25^{\circ}\text{C}$  Durata  $\geq 1$  min.
- Caratteristiche del carico durante l'allarme: tutti i carichi non sono influenzati dall'allarme e funzionano in base alle condizioni di temperatura correnti.

#### 2) Allarme di bassa temperatura:

- L'allarme si attiva se si verifica una delle seguenti condizioni (valutate separatamente per ciascuna zona di temperatura):
  - 2.1) Temperatura della zona di temperatura superiore  $\leq 2^{\circ}\text{C}$ , sostenuta per 30 minuti.
  - 2.2) Temperatura della zona di temperatura inferiore  $\leq 5^{\circ}\text{C}$ , sostenuta per 30 minuti.
- Caratteristiche dell'allarme: il display di bassa temperatura per la zona di temperatura superiore lampeggia a  $2^{\circ}\text{C}/36^{\circ}\text{F}$ , e l'indicatore di bassa temperatura per la zona di temperatura inferiore lampeggia a  $5^{\circ}\text{C}/36^{\circ}\text{F}$ . L'indicatore acustico emette un allarme e i LED di illuminazione lampeggiano con una frequenza di 1 volta ogni mezzo secondo.
- L'allarme si spegne se si verifica una delle seguenti condizioni (valutate separatamente per ciascuna zona di temperatura):
  - 2.1) Zona di temperatura superiore  $> 5^{\circ}\text{C}$ , durata  $\geq 1$  min.
  - 2.2) Zona di temperatura inferiore  $> 5^{\circ}\text{C}$ , durata  $\geq 1$  min.



## DICHIARAZIONE DI GARANZIA CONVENZIONALE

Di seguito si riportano le condizioni di garanzia convenzionale (la «Garanzia Convenzionale») riconosciuta al Consumatore da Bertazzoni S. p.a., con sede legale a Guastalla (RE), Via Palazzina n. 6/8 (il «Produttore»), nel rispetto del D.Lgs. 6 settembre 2005 n. 206, come modificato dal D.Lgs. 4 novembre 2021 n. 170.

### ART. 1 - OGGETTO DELLA GARANZIA

La Garanzia Convenzionale opera per i difetti di conformità del bene oggetto di cessione, identificato nel documento fiscale a cui la presente dichiarazione viene allegata (il «Bene»), **esistenti al momento della consegna del Bene e imputabili ad azioni od omissioni del Produttore.**

Ai fini dell'applicazione della Garanzia Convenzionale, si presume che i difetti di conformità manifestatisi entro un anno dalla consegna del Bene esistessero già a tale data, salvo prova contraria o incompatibilità di essi con la natura del Bene e/o con la natura del difetto di conformità. Per i successivi 12 (dodici) mesi di vigenza della Garanzia Convenzionale è onere del Consumatore provare l'esistenza del difetto di conformità del Bene al momento della consegna.

In caso di difetto di conformità, il Consumatore ha diritto di richiedere, gratuitamente, il ripristino della conformità del Bene mediante riparazione o sostituzione, purché il rimedio prescelto non sia impossibile o, rispetto al rimedio alternativo, non imponga al Produttore costi sproporzionati. In alternativa, il Consumatore può richiedere la riduzione proporzionale del prezzo o la risoluzione del contratto.

### ART. 2 - DURATA E CONDIZIONI DI VALIDITÀ

La durata della Garanzia Convenzionale è di 24 (ventiquattro) mesi a decorrere dalla data di consegna del Bene.

Gli eventuali interventi di riparazione o sostituzione del Bene e/o di suoi componenti accessori non estendono la durata originaria della Garanzia Convenzionale.

Ai fini della sua validità, il presente certificato deve essere conservato unitamente al documento fiscale (ad es.: documento di trasporto, fattura, scontrino fiscale) riportante i dati del venditore, la data di consegna e gli estremi identificativi del Bene ed il prezzo di cessione. In caso di intervento, entrambi i documenti (Garanzia Convenzionale e documento fiscale) devono essere mostrati al personale tecnico.

La Garanzia Convenzionale opera a condizione che:

- il Bene sia utilizzato per scopi domestici;
- il Bene sia utilizzato all'interno del territorio nazionale;
- tutte le operazioni di installazione e collegamento del Bene alle reti di distribuzione dell'energia elettrica e del gas siano effettuate seguendo scrupolosamente le indicazioni riportate nel relativo libretto d'uso, manutenzione e installazione (il «**Libretto**»), fornito unitamente al Bene stesso;
- tutte le operazioni di utilizzo del Bene, così come la sua manutenzione periodica, avvengano secondo le istruzioni, prescrizioni e indicazioni riportate nel Libretto;
- qualunque intervento di riparazione del Bene sia eseguito da personale dei centri di assistenza autorizzati dal Produttore (il «**Personale Autorizzato**») e con ricambi esclusivamente originali.

Per conoscere il centro assistenza di zona, il Consumatore potrà contattare il numero verde **800 927 987**.

# DICHIARAZIONE DI GARANZIA CONVENZIONALE

---

## ART. 3 - CLAUSOLE DI ESCLUSIONE

La Garanzia Convenzionale non opera:

- se il Bene venga utilizzato nell'ambito di attività imprenditoriali o professionali (quali, a titolo esemplificativo, ristoranti, pizzerie, bar, lavanderie, hotel, b&b, uffici, comunità, scuole, etc.);
- se il Bene venga utilizzato al di fuori del territorio nazionale;
- qualora il Personale Autorizzato accerti che la difformità del Bene non dipenda da un suo difetto di conformità, ma da un fattore esterno, come, a titolo meramente esemplificativo, la portata insufficiente degli impianti elettrici e gas, l'errata installazione e/o lo scorretto allacciamento agli impianti di alimentazione o le incomplete regolazioni previste dal Libretto;
- qualora il Personale Autorizzato accerti che la difformità del Bene dipenda da negligenza e/o incapacità d'uso e/o cattiva manutenzione da parte del Consumatore, il quale non si sia attenuto scrupolosamente alle istruzioni e raccomandazioni riportate nel Libretto;
- in caso di danni al Bene causati da eventi atmosferici e naturali (fulmini, inondazioni, incendi, terremoti, etc.), atti di vandalismo o, comunque, circostanze non riconducibili ad un difetto di conformità.

La Garanzia Convenzionale non copre:

- eventuali interventi volti a ripristinare danni al Bene causati da incuria, rottura accidentale, manomissione e/o danneggiamento durante il trasporto, se effettuato dal Consumatore o dal venditore;
- eventuali interventi eseguiti da personale non autorizzato;
- eventuali interventi per dimostrazioni di funzionamento, controlli e manutenzioni periodiche;
- eventuali difetti del Bene di cui il Consumatore è stato messo a conoscenza all'atto della vendita e/o che quest'ultimo non poteva ragionevolmente ignorare.

In tutti questi casi, i costi del relativo intervento e delle eventuali parti di ricambio restano a carico del Consumatore.

La Garanzia Convenzionale non copre inoltre, salvo che si tratti di difetti di conformità, gli interventi di riparazione e/o sostituzione di parti mobili ed asportabili, manopole, maniglie, lampade, parti in vetro e smaltate, parti in gomma, eventuali accessori, materiali di consumo e comunque tutti i componenti del Bene sui quali il Consumatore può intervenire durante l'utilizzo o per effettuare la manutenzione del Bene.

## ART. 4 - LIMITAZIONI DELLA RESPONSABILITÀ DEL PRODUTTORE

Bertazzoni S.p.a. declina ogni responsabilità per eventuali danni che possano derivare, in modo diretto o indiretto, a persone, cose ed animali per la mancata osservanza delle prescrizioni, indicazioni, raccomandazioni e istruzioni riportate nel Libretto.

## ART. 5 - PROCEDURA PER ATTIVARE LA GARANZIA CONVENZIONALE

Ove riscontri un mal funzionamento del Bene durante il periodo di validità della Garanzia Convenzionale, il Consumatore dovrà contattare il servizio assistenza al numero verde unico in tutta Italia **800 927 987**, fornendo il documento fiscale attestante la data di consegna e gli estremi identificativi del Bene (ved. art. 2), nonché il numero di matricola/seriale presente sul Libretto (targhetta adesiva di colore argento) oppure sulla targa adesiva posta direttamente sul Bene.

Il servizio assistenza lo porrà in contatto col centro di assistenza tecnica autorizzato a lui più vicino.

In ogni caso, qualora il Bene presenti anomalie o mal funzionamenti, prima di contattare il servizio assistenza, si consiglia di effettuare le verifiche ed i controlli indicati nel Libretto.

**LA PRESENTE GARANZIA  
CONVENZIONALE NON PREGIUDICA I  
DIRITTI ED I RIMEDI PER I DIFETTI DI  
CONFORMITÀ CHE LA LEGGE RICONOSCE  
AL CONSUMATORE NEI CONFRONTI DEL  
VENDITORE.**

Bertazzoni S.p.A.

## DU BUREAU DE NOTRE PRÉSIDENT

Cher nouveau propriétaire d'un appareil Bertazzoni,

Je tiens à vous remercier d'avoir choisi l'un de nos beaux produits pour votre maison.

Ma famille a commencé à fabriquer des appareils électroménagers en Italie en 1882, bâtissant une réputation de qualité d'ingénierie et de passion pour la bonne cuisine.

Aujourd'hui, nos produits se distinguent par leur mélange unique de design italien authentique et de technologie d'électroménager supérieure. Notre mission est de fabriquer des produits qui fonctionnent parfaitement et qui apportent de la joie à leurs propriétaires.

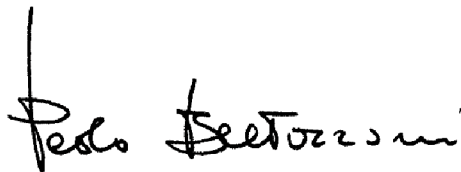
En fabriquant de beaux produits, nous répondons au goût de nos clients pour un joli design. En les rendant polyvalents et faciles à utiliser, cuisiner avec Bertazzoni devient un réel plaisir.

Ce manuel vous aidera à apprendre à utiliser et à entretenir votre appareil Bertazzoni de la manière la plus sûre et la plus efficace, afin qu'il puisse vous donner la plus grande satisfaction pour les années à venir.

Profitez-en bien !

Paolo Bertazzoni

Président

A handwritten signature in black ink, reading "Paolo Bertazzoni". The signature is written in a cursive, flowing style with a vertical line at the beginning.



## **VALIDITÉ DU MANUEL D'UTILISATION**

Le manuel suivant concerne uniquement le code produit **RWC60B4DNRP**.

# SOMMAIRE

---

INFORMATIONS IMPORTANTES EN MATIÈRE DE SÉCURITÉ ET D'ENVIRONNEMENT	65
INFORMATIONS GÉNÉRALES	65
MANUEL D'UTILISATION	65
INFORMATIONS DE SÉCURITÉ	66
PRENDRE SOIN DE L'ENVIRONNEMENT	68
CONFORMITÉ	68
ÉCONOMIE D'ÉNERGIE	69
DÉPLACEMENT DE L'APPAREIL	69
SPÉCIFICATIONS	70
ASPECT GÉNÉRAL	70
CARACTÉRISTIQUES TECHNIQUES	70
TEMPÉRATURE AMBIANTE	70
INSTALLATION	71
INSTRUCTIONS D'INSTALLATION	71
PRÉPARATION POUR L'INSTALLATION	71
EXIGENCES ÉLECTRIQUES	71
VENTILATION	72
DIMENSIONS DU PRODUIT	73
DIMENSIONS DU MEUBLE	74
INSTRUCTIONS D'INSTALLATION	75
RETRAIT DES ÉTAGÈRES	76
UTILISATION ET ENTRETIEN	77
UTILISATION	77
AVANT LA PREMIÈRE UTILISATION	77
ENTREPOSAGE INTERNE	78
RECOMMANDATIONS POUR LA CONSERVATION ET LE SERVICE DU VIN	79
PANNEAU DE COMMANDE	83
PRÉCAUTIONS ET MAINTENANCE	86
INSTRUCTIONS DE REMPLACEMENT DE L'ÉCLAIRAGE À LED	86
NETTOYAGE DES SURFACES INTÉRIEURES	86
DÉCONGÉLATION	86
BRUITS ET SIGNIFICATION	86
PANNE DE COURANT	86
RÉSOLUTION DE PROBLÈMES	87
CODES D'ERREUR	89
GARANTIE	90
GARANTIE ET ASSISTANCE	90

# INFORMATIONS IMPORTANTES EN MATIÈRE DE SÉCURITÉ ET D'ENVIRONNEMENT

## INFORMATIONS GÉNÉRALES

### MANUEL D'UTILISATION

Ces instructions s'appliquent à différents types d'appareils. Elles peuvent donc contenir des descriptions de fonctions qui ne sont pas disponibles sur votre appareil, ou que celui-ci ne supporte pas.

Les images et illustrations du présent document se réfèrent à différents modèles et peuvent différer légèrement du produit acheté.

Le fabricant décline toute responsabilité en cas de blessures corporelles ou de dommages matériels résultant d'une installation incorrecte ou d'une mauvaise utilisation de l'appareil.

Le fabricant se réserve le droit d'apporter les modifications requises aux différents modèles afin de se conformer à la réglementation technique en vigueur.

En cas de réclamation, veuillez contacter le service après-vente. Lisez attentivement les instructions fournies dans ce manuel avant d'installer et/ou d'utiliser l'appareil. Cela vous aidera à connaître votre nouvel appareil. Conservez ce document à portée de main afin de pouvoir le consulter à tout moment et le transmettre à d'éventuels propriétaires ultérieurs.

Lisez les messages de sécurité fournis dans l'introduction du présent manuel et tenez dûment compte des notes de sécurité, telles que : « Attention », « Avertissement » et « Danger » qui apparaissent dans le texte.



### DANGER

Ce symbole indique une situation qui constitue un danger pour vous-même et autrui. Lisez-le attentivement et assurez-vous d'avoir parfaitement compris les causes d'accidents potentiellement dangereux ou mortels.



### MISE EN GARDE

Ce symbole indique des informations de sécurité. Lisez-le attentivement et assurez-vous d'avoir parfaitement compris les causes d'accidents potentiellement dangereux.



### ATTENTION !

Ce symbole indique une procédure qui pourrait compromettre la structure ou les composants de l'appareil. Faites particulièrement attention à ces procédures.



### NOTE

Ce symbole met en évidence les méthodes ou procédures d'utilisation correcte de l'appareil.

Le modèle, le code de vente et le numéro de série sont imprimés sur la plaque signalétique. Reportez-vous à la section Spécifications du présent manuel pour connaître l'emplacement de la plaque signalétique.



### NOTE

Nous vous conseillons de noter les données et le numéro de série de l'appareil afin qu'ils soient immédiatement disponibles en cas de besoin.



### NOTE

Indiquez les informations fournies sur la plaque signalétique afin d'améliorer l'efficacité des services après-vente et pièces de rechange. Pour les besoins de la garantie, vous aurez également besoin de la date d'installation et du nom de votre revendeur agréé Bertazzoni.



### MISE EN GARDE

Suivez les précautions de base lorsque vous utilisez votre appareil. Lisez toutes les instructions avant d'utiliser l'appareil. Conservez ces instructions et transmettez-les à tout futur utilisateur.

# INFORMATIONS IMPORTANTES EN MATIÈRE DE SÉCURITÉ ET D'ENVIRONNEMENT

## INFORMATIONS DE SÉCURITÉ

Cet appareil a été conçu pour un usage résidentiel et dans le cadre d'applications similaires, notamment :

- Les cuisines du personnel dans les magasins, bureaux et autres environnements de travail ;
- Dans les fermes et par les clients d'hôtels, motels et autres environnements de type résidentiel ;
- Environnements de type bed and breakfast ;
- Restauration et autres applications similaires non commerciales.

Il ne doit pas être utilisé à un usage autre que celui auquel il est destiné. Il ne doit être utilisé que pour stocker du vin.

Le fabricant n'est pas responsable des dommages résultant d'une utilisation inappropriée ou d'un mauvais transport.

Les pièces de rechange d'origine seront disponibles pendant 10 ans après la date d'achat du produit.

## ÉVITER DE METTRE EN DANGER LES ENFANTS ET LES PERSONNES VULNÉRABLES

Cet appareil n'est pas destiné à être utilisé par des personnes (y compris des enfants) ayant une déficience physique ou sensorielle ou un manque d'expérience et de connaissances, à moins qu'elles n'aient été supervisées ou instruites sur l'utilisation de l'appareil par une personne responsable de leur sécurité.

Les enfants doivent être surveillés pour s'assurer qu'ils ne jouent pas avec l'appareil.

Le nettoyage et l'entretien ne doivent pas être effectués par des enfants, sauf s'ils sont supervisés par un adulte.

Garder l'appareil et son cordon hors de portée des enfants de moins de 8 ans.

## DANGER DE CHOC ÉLECTRIQUE

- Assurez-vous que l'appareil est débranché pendant l'installation, l'entretien, le nettoyage et les réparations.
- Lors de l'installation de l'appareil, assurez-vous que le câble d'alimentation n'est pas coincé ou endommagé.
- Si le cordon d'alimentation de cet appareil est endommagé, il doit être remplacé par le fabricant, le service client ou toute autre personne qualifiée. Des installations et des réparations inappropriées peuvent exposer l'utilisateur à des risques considérables.
- Ne pas utiliser d'adaptateur. Ne pas utiliser de rallonge.
- Ne pas brancher le réfrigérateur si la prise murale est desserrée. Ne pas tirer sur le câble pour débrancher l'appareil.
- Débrancher l'appareil si vous constatez un défaut de fonctionnement pendant son utilisation. En cas de dysfonctionnement de l'appareil, il est nécessaire de ne pas l'utiliser tant qu'il n'a pas été réparé par un

prestataire de services agréé. Le fabricant ne peut être tenu responsable des dommages résultant d'interventions effectuées par des personnes non autorisées.

- Ne jamais laver l'appareil en versant, en tamponnant ou en pulvérisant de l'eau dessus. Ne jamais toucher la fiche avec les mains mouillées !
- Ne jamais utiliser de vapeur ou de nettoyeurs à vapeur pour nettoyer ou dégivrer le réfrigérateur. La vapeur peut provoquer un court-circuit ou un choc électrique si elle entre en contact avec les composants électriques de votre réfrigérateur.
- Ne jamais connecter votre réfrigérateur à un dispositif d'économie d'énergie. Ces systèmes sont nuisibles pour votre appareil.

## RISQUE D'EXPLOSION

- N'utiliser aucun appareil électrique de quelque nature que ce soit à l'intérieur des compartiments de stockage des aliments.
- Ne pas utiliser de dispositifs mécaniques ou d'autres moyens pour accélérer le processus de dégivrage. N'utilisez que ceux recommandés par le fabricant.
- Ne pas ranger de substances explosives telles que des bombes aérosols contenant un propulseur inflammable dans cet appareil.
- Les bouteilles contenant des boissons à forte teneur en alcool doivent être bien fermées et stockées verticalement.

## RISQUE DE BLESSURES

- Ne pas mettre de boissons gazeuses ou de liquides dans des boîtes ou des récipients en verre dans le compartiment congélateur. Ils pourraient exploser !
- Ne jamais utiliser les composants du réfrigérateur, tels que la porte ou les tiroirs, comme moyen de support ou comme marches. L'appareil risque de basculer et d'être endommagé !
- Ne pas s'asseoir sur l'appareil ni placer d'objets lourds sur l'appareil.
- Ne pas s'asseoir ni s'appuyer sur la porte ou sur les tiroirs ouverts. Ne pas exercer de pression sur la porte ni l'utiliser pour déplacer l'appareil.
- Ne pas surcharger le réfrigérateur. Les objets présents dans le réfrigérateur peuvent tomber lorsque la porte est ouverte, causant des blessures ou des dommages matériels.
- Ne pas placer vos mains ou toute autre partie du corps dans les pièces mobiles du réfrigérateur (par exemple, la machine à glaçons automatique).

## RISQUE DE SUFFOCATION

- Les matériaux d'emballage peuvent être dangereux pour les enfants. Ne pas laisser les enfants jouer avec des sacs en plastique, des films plastiques ou du polystyrène.

# INFORMATIONS IMPORTANTES EN MATIÈRE DE SÉCURITÉ ET D'ENVIRONNEMENT

- S'il y a une serrure sur la porte de l'appareil, la clé doit être gardée hors de portée des enfants.

## RISQUE D'INTOXICATION ALIMENTAIRE

- Conserver la viande et le poisson crus au réfrigérateur dans des récipients appropriés afin qu'ils n'entrent pas en contact avec d'autres aliments ou ne coulent pas sur d'autres aliments.
- Éviter de laisser la porte ouverte pendant de longues périodes, car cela pourrait entraîner une augmentation significative de la température à l'intérieur des compartiments de l'appareil.
- Nettoyer régulièrement les surfaces susceptibles d'entrer en contact avec les aliments et les systèmes de drainage accessibles.
- Si le réfrigérateur doit rester inutilisé pendant une période prolongée, l'éteindre, le dégivrer, le nettoyer, le sécher et laisser la porte ouverte pour empêcher la moisissure de se développer à l'intérieur de l'appareil.

## RISQUE D'INCENDIE / AVERTISSEMENT CONCERNANT L'ISOBUTANE



Le circuit réfrigérant de l'appareil contient de l'isobutane (R600a), un gaz naturel très respectueux de l'environnement, mais néanmoins inflammable.

Lors du transport et de l'installation de l'appareil, veillez à ne pas endommager les composants du circuit réfrigérant.

Si le circuit frigorifique est endommagé :

- éviter les flammes nues et les sources d'inflammation.
- aérer soigneusement la pièce dans laquelle se trouve l'appareil.



### NOTE

Si l'appareil est endommagé ou si vous constatez une fuite de gaz, éloignez-vous de l'appareil. Le gaz peut causer des brûlures de glace s'il entre en contact avec la peau.



### NOTE

Le type de gaz utilisé dans le produit est indiqué sur l'étiquette signalétique située sur la paroi intérieure gauche du réfrigérateur.



## ATTENTION !

- Éviter d'endommager les zones où le réfrigérant circule avec des outils de forage ou tranchants. Si les conduits de gaz de l'évaporateur, les extensions de tubes ou les revêtements de surface sont perforés, le réfrigérant pourrait exploser, provoquant une irritation de la peau et des blessures aux yeux. Ne pas utiliser d'objets pointus ou tranchants pour enlever le givre ou les couches de glace. Vous pourriez endommager les tubes de réfrigérant. Une fuite de réfrigérant peut provoquer des blessures aux yeux ou s'enflammer.
- Ne JAMAIS essayer d'éteindre une flamme/un incendie avec de l'eau ; éteindre l'appareil et couvrir la flamme avec une couverture ignifuge.
- Ne couvrez pas et ne laissez aucun objet obstruer les ouvertures de ventilation de votre réfrigérateur.

# INFORMATIONS IMPORTANTES EN MATIÈRE DE SÉCURITÉ ET D'ENVIRONNEMENT

## PRENDRE SOIN DE L'ENVIRONNEMENT



Cet appareil est conforme à la directive européenne 2012/19/UE (DEEE)

Cet appareil est étiqueté conformément à la Directive européenne 2012/19/CE relative aux déchets d'équipements électriques et électroniques (DEEE).

Cette directive contient les réglementations régissant la collecte et le recyclage des appareils hors service dans toute l'Union européenne.



Le symbole d'une poubelle barrée d'une croix qui apparaît sur le produit indique que les Déchets d'Équipements Électriques et Électroniques (DEEE) ne doivent pas être jetés avec les déchets urbains ordinaires, mais doivent être éliminés séparément, afin de subir un traitement spécial pour permettre sa réutilisation ou un traitement spécifique pour l'enlèvement et l'élimination en toute sécurité de toute substance nocive pour l'environnement et l'extraction de matières premières recyclables.

Par conséquent, les DEEE doivent être livrés aux centres de recyclage gérés par la municipalité ou des sociétés de gestion des déchets. En outre, lors de l'achat d'un nouvel appareil, les DEEE peuvent être confiés au revendeur, qui est tenu de le reprendre gratuitement (reprise « 1:1 »). Les « très petits » DEEE (dont la dimension n'excède pas 25 cm) peuvent être remis gratuitement aux commerçants même en l'absence d'achat (reprise « 0:1 » - qui n'est toutefois obligatoire que pour les magasins de plus de 400 m<sup>2</sup>).



Points de collecte sur [www.quefairedemesdechets.fr](http://www.quefairedemesdechets.fr)  
Privilégiez la réparation ou le don de votre appareil !

Conformez-vous scrupuleusement aux procédures d'élimination correctes pour tous les matériaux d'emballage. Avant la mise au rebut :

- Débrancher l'alimentation principale.
- Débrancher l'appareil et couper le cordon d'alimentation.

- Éviter d'endommager le circuit de réfrigération lors de la mise au rebut.



### MISE EN GARDE

Veiller à rendre les appareils anciens et usés inutilisables avant leur mise au rebut en retirant la prise, en coupant le cordon d'alimentation et en retirant ou en détruisant les agrafes ou les mousquetons à boulons. Cela évitera que les enfants ne s'enferment dans l'appareil pendant qu'ils jouent (risque d'étouffement) ou ne mettent leur vie en danger de toute autre manière.

Le présent appareil est conforme à la directive européenne RoHS (2011/65/UE). Il ne contient pas de matériaux nocifs ou interdits spécifiés dans la directive. Cet appareil ne contient pas de substances dangereuses pour la couche d'ozone atmosphérique, ni dans le circuit de réfrigération ni dans l'isolation.


Nos appareils sont emballés dans des matériaux non polluants et recyclables conformément aux réglementations environnementales nationales :

- Éliminer les emballages de manière respectueuse de l'environnement.
- Veuillez demander à votre revendeur de se renseigner auprès de votre autorité locale sur les moyens d'élimination actuels.

En ce qui concerne les tests d'écoconception, l'installation et la configuration de l'appareil doivent être conformes à la norme EN 62552.

- Les exigences de ventilation, les dimensions et l'espace minimum par rapport au mur arrière sont indiqués dans le manuel d'installation.
- Contactez le fabricant pour plus d'informations.

## CONFORMITÉ

En apposant la marque  sur ce produit, nous confirmons la conformité à toutes les exigences européennes pertinentes en matière de sécurité, de santé et d'environnement qui sont applicables à ce produit conformément à la loi.

# INFORMATIONS IMPORTANTES EN MATIÈRE DE SÉCURITÉ ET D'ENVIRONNEMENT

---

## ÉCONOMIE D'ÉNERGIE

Pour une économie d'énergie optimale, nous recommandons ce qui suit :

- Installer l'appareil loin des sources de chaleur, à l'abri de la lumière directe du soleil et dans une pièce bien aérée.
- Ne pas remplir trop les compartiments, car cela empêche l'air de circuler correctement.
- En cas de panne d'électricité, il est conseillé de garder la porte du réfrigérateur fermée.
- Ouvrir les portes de l'appareil le moins souvent et le moins longtemps possible.
- S'assurer que l'unité est correctement ventilée. Ne jamais couvrir les grilles d'aération.
- Ne jamais couvrir les étagères avec du papier aluminium ou tout autre matériau susceptible d'empêcher la circulation de l'air.
- Si l'appareil reste vide pendant une longue période, il est conseillé de le débrancher et, après un nettoyage approfondi, de laisser la porte entrouverte pour permettre à l'air de circuler à l'intérieur du meuble afin d'éviter la formation de condensation, de moisissures ou d'odeurs.

## DÉPLACEMENT DE L'APPAREIL

Si vous devez déplacer votre appareil, prenez les précautions suivantes :

- Retirer tous les éléments de l'appareil.
- Fixer solidement tous les éléments amovibles (par exemple, les étagères) à l'intérieur de l'appareil avec du ruban adhésif.
- Tourner les pieds réglables à la base dans le sens des aiguilles d'une montre jusqu'à ce qu'ils soient complètement relevés pour éviter de les endommager.
- Fermer la porte avec du ruban adhésif.
- Veiller à ce que l'appareil reste en position verticale pendant le transport.
- Protéger la porte extérieure en verre avec une couverture ou un objet similaire pendant le transport.

# SPÉCIFICATIONS

## ASPECT GÉNÉRAL

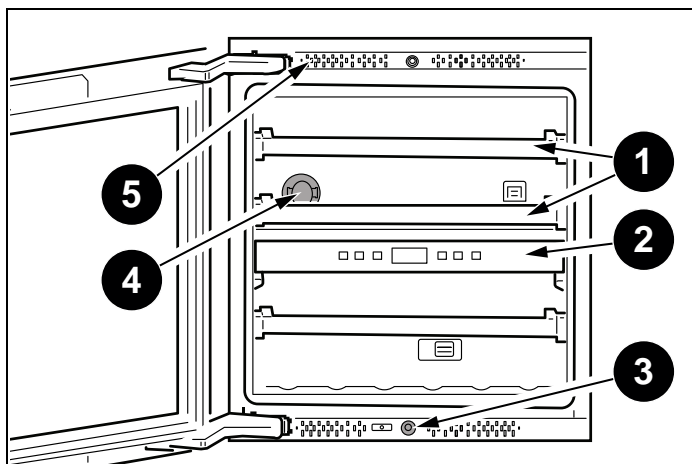


Fig. 1

- 1) Étagère à vin
- 2) Panneau de contrôle et séparateur de zones de température
- 3) Bouton-poussoir électromagnétique
- 4) Filtre à charbon actif
- 5) Ventilation frontale

### NOTE



Les illustrations de ce manuel d'utilisation sont schématiques et peuvent ne pas correspondre exactement au produit. Si votre produit ne dispose pas des pièces correspondantes, les informations s'appliquent à d'autres modèles.

Cet appareil est équipé de 3 sondes de température :

- 1 **NTC1** dans la zone de température supérieure
- 1 **NTC2** dans la zone de température inférieure
- une sonde de température externe **NTC3**.

Il est également équipé de quatre ventilateurs de 12 V, de 1 compresseur inverter et de 2 éléments chauffants.

- **Ventilateur de la zone de température supérieure** : FAN1
- **Ventilateur de la zone de température centrale** : FAN3
- **Ventilateur de la zone de température inférieure** : FAN4
- **Ventilateur de compresseur** : FAN2

## CARACTÉRISTIQUES TECHNIQUES

ÉLÉMENT	DESCRIPTION
Type de connecteur	SCHUKO
Tension	220-240 V
Fréquence	50 Hz
Fusible	10 A
Intensité de courant	0,6 A
Capacité	24 bouteilles de Bordeaux

Le réfrigérant, le volume et d'autres spécifications techniques sont indiqués sur la plaque signalétique.

## TEMPÉRATURE AMBIANTE

La température ambiante autorisée dépend de la classe climatique :

CLASSE CLIMATIQUE	TEMPÉRATURE AMBIANTE AUTORISÉE
SN (Subnormal)	+ 10 °C à + 32 °C
N (Normal)	+ 16 °C à + 32 °C
ST (Sub Tropical)	+ 16 °C à + 38 °C
T (Tropicale)	+ 16 °C à + 43 °C

Les informations sur la classe climatique sont disponibles sur la plaque signalétique.

Le fonctionnement normal du refroidisseur à vin peut être affecté dans un environnement dont la température se situe au-dessus ou en dessous de la plage de température ambiante optimale. Par exemple, lorsque le refroidisseur à vin est utilisé dans un environnement extrêmement froid ou chaud, la température à l'intérieur de l'armoire fluctue et ne parvient parfois pas à atteindre la plage de température définie de 5 à 20 °C. En période de forte humidité, de la condensation peut apparaître sur la surface extérieure du refroidisseur à vin, qui disparaîtra dès que l'humidité diminue. Il est recommandé d'installer l'appareil dans une pièce sèche et ventilée ou dans une pièce climatisée.

# INSTRUCTIONS D'INSTALLATION

## PRÉPARATION POUR L'INSTALLATION

Cet appareil ne doit pas être installé à proximité de sources de chaleur, par ex. des éléments chauffants ou des cuisinières, ou dans un endroit humide.

Demandez l'aide d'une ou de deux autres personnes lors de l'installation de cet appareil. Ce dernier peut avoir des arêtes vives. Portez un EPI adapté à la tâche et à l'environnement.

- Utilisez les pieds réglables en hauteur à l'avant de l'appareil pour vous assurer que l'appareil est de niveau.
- Le système de refroidissement à l'arrière de l'appareil ne doit pas toucher la paroi arrière. Plus l'écart est grand, mieux c'est.
- L'appareil doit être installé avec une ventilation adéquate. Assurez-vous d'avoir un dégagement au-dessus de l'appareil afin de permettre à l'air de s'échapper et qu'il y ait un espace entre l'arrière de l'appareil et le mur.
- Veiller à éliminer tout obstacle autour du réfrigérateur à vin ou dans la structure intégrée, et la ventilation doit être maintenue.

Brancher l'appareil à une prise électrique exclusive et facilement accessible.

Toute question concernant l'alimentation et/ou le raccordement électrique doit être adressée à un électricien qualifié ou à un centre de service après-vente agréé.

## EXIGENCES ÉLECTRIQUES

L'appareil doit être installé sur tous les raccordements électriques conformément aux codes nationaux et locaux.



### ATTENTION !

Ne pas utiliser de rallonges ou d'adaptateurs à deux broches, ni retirer la borne de terre du câble de mise à la terre.



### ATTENTION !

Un électricien qualifié doit s'assurer que les pôles de la prise sont correctement branchés.

Vérifiez que la mise à la terre de la prise est correcte.



### MISE EN GARDE

Ne pas brancher l'appareil sur des prises à économie d'énergie électroniques.

La prise doit être conforme aux données suivantes :

EXIGENCES ÉLECTRIQUES	
Type de connecteur	SCHUKO
Outlet	2-prong
Tension	220-240 V
Fréquence	50 Hz
Fusible	10 A

Après l'installation, attendre au moins 3 heures avant de brancher l'appareil au réseau électrique afin d'éviter d'endommager le compresseur.



### REMARQUE IMPORTANTE

Ne pas utiliser de rallonges et/ou d'adaptateurs multiples pour le raccordement au réseau électrique.

Si le câblage électrique ou l'alimentation électrique de l'habitation nécessite une modification, les procédures nécessaires doivent être effectuées par un électricien qualifié.

Veillez respecter les règles suivantes :

- La prise ou le tableau électrique doit être facilement accessible en cas d'urgence, et ne doit pas être dissimulé derrière le produit.
- L'appareil doit pouvoir être facilement connecté et déconnecté de l'alimentation secteur après l'installation.

# INSTRUCTIONS D'INSTALLATION

---

- Ni la fiche ni le câble ne doivent toucher la surface arrière de l'appareil, sous peine d'être endommagés par les vibrations de l'appareil.
- Pour éviter toute blessure accidentelle, le cordon doit être fixé derrière l'appareil et non exposé ou suspendu.
- Ne pas brancher des fiches d'autres équipements derrière cet appareil. Si l'appareil est utilisé dans une pièce où le taux d'humidité est élevé, ses surfaces extérieures peuvent se corroder. Pour éviter la corrosion, veillez à maintenir la pièce sèche et bien propre.

Pour prévenir le risque de choc électrique :

- Connecter la fiche à une prise de terre.
- Ne pas retirer la broche de mise à la terre de la fiche.
- Ne pas utiliser d'adaptateurs.
- Ne pas utiliser de rallonges.



## ATTENTION !

Ne pas connecter le câble de mise à la terre à la conduite de gaz. Veuillez faire vérifier la mise à la terre par un électricien qualifié si vous n'êtes pas sûr de la mise à la terre de l'appareil. Ne pas installer de fusible sur la ligne neutre ou sur le circuit de mise à la terre.



## ATTENTION !

Le non-respect de ces instructions peut entraîner un incendie, un choc électrique ou la mort. La connexion du conducteur de mise à la terre de l'appareil au mauvais endroit peut entraîner un choc électrique. Veuillez faire vérifier la mise à la terre par un électricien qualifié ou un technicien de service si vous avez des doutes sur la mise à la terre correcte de l'appareil. L'installation, les réparations et autres interventions effectuées par des personnes non qualifiées peuvent donner lieu à des dangers. Avant d'installer l'appareil, assurez-vous que les paramètres de tension, de charge et de courant du circuit sur la plaque signalétique sont conformes à l'alimentation électrique de votre habitation.

## VENTILATION

La chaleur retirée du compartiment de refroidissement doit être dissipée dans l'air autour de l'appareil. Une ventilation incorrecte peut entraîner une panne prématurée du compresseur, une consommation électrique excessive et une panne totale du système, et peut annuler la garantie fournie avec l'appareil.

Ce refroidisseur à vin présente une sortie d'air avant. Afin de garantir une parfaite ventilation, veiller à ne placer aucun objet directement devant le réfrigérateur à vin.



## NOTE

La grille d'aération située à l'avant de l'appareil ne doit jamais être recouverte ou obstruée de quelque façon que ce soit.

# INSTRUCTIONS D'INSTALLATION

## DIMENSIONS DU PRODUIT

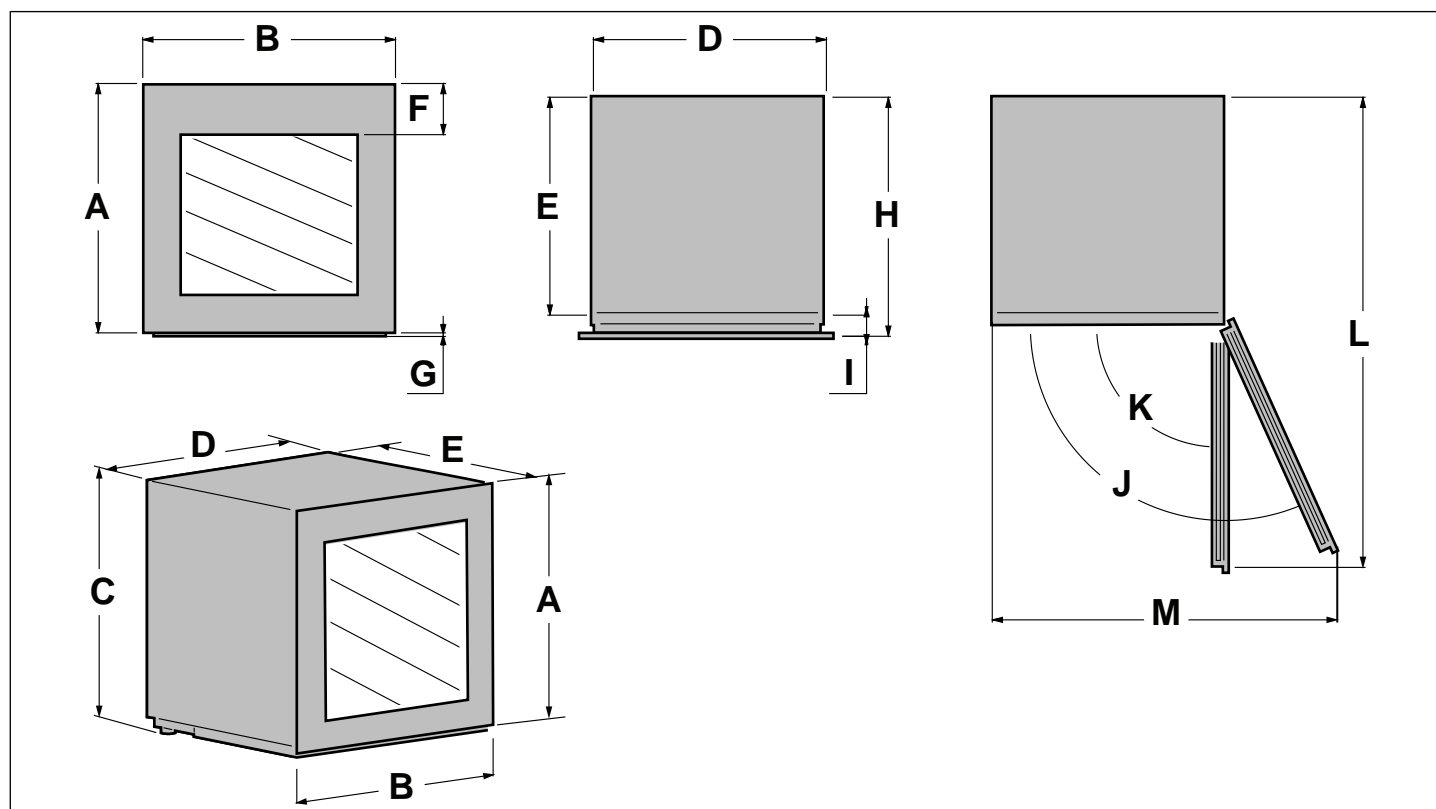


Fig. 2

A. 585 mm

B. 593 mm

C. 583 mm — 593 mm

D. 552 mm

E. 565 mm

F. 120 mm

G. 8 mm

H. 566 mm

I. 48 mm

J. 115°

K. 90°

L. 1150 mm

M. 770 mm

# INSTRUCTIONS D'INSTALLATION

## DIMENSIONS DU MEUBLE

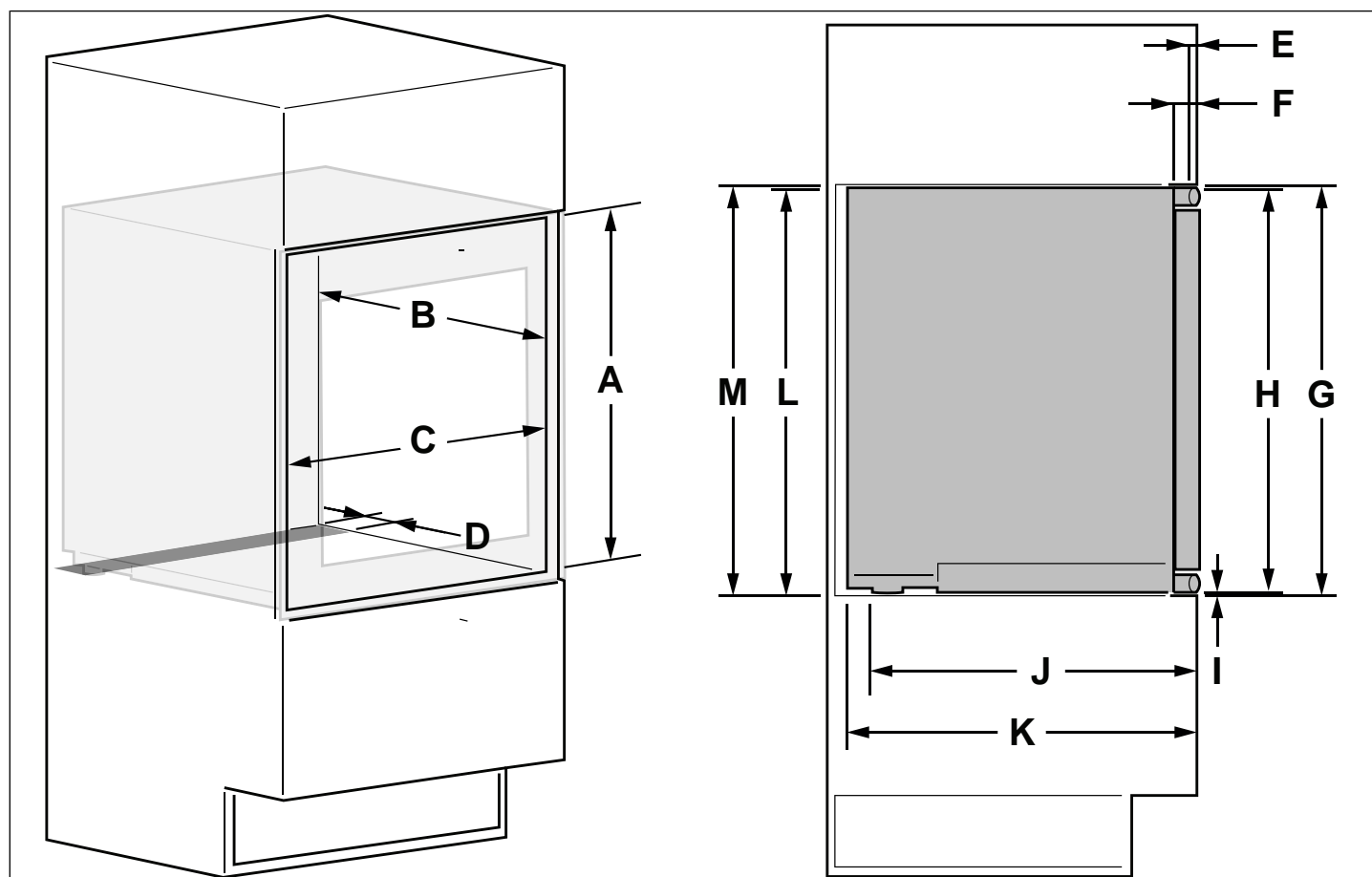


Fig. 3

**A.** 585 mm — 595 mm

**B.** Min. 560 mm

**C.** 560 mm — 590 mm

**D.** Max. 60 mm

**E.** Max. 25 mm

**F.** 48 mm

**G.** 593 mm

**H.** 585 mm

**I.** 8 mm

**J.** 506 mm

**K.** 565 mm

**L.** Min. 583 mm

**M.** Min. 585 mm

# INSTRUCTIONS D'INSTALLATION

## INSTRUCTIONS D'INSTALLATION



### NOTE

L'appareil doit être branché avant l'installation.

- 1) Pousser l'appareil dans l'armoire en bois avec les charnières contre l'armoire.

Assurez-vous que la porte du réfrigérateur à vin en verre est alignée avec les portes des meubles adjacents.

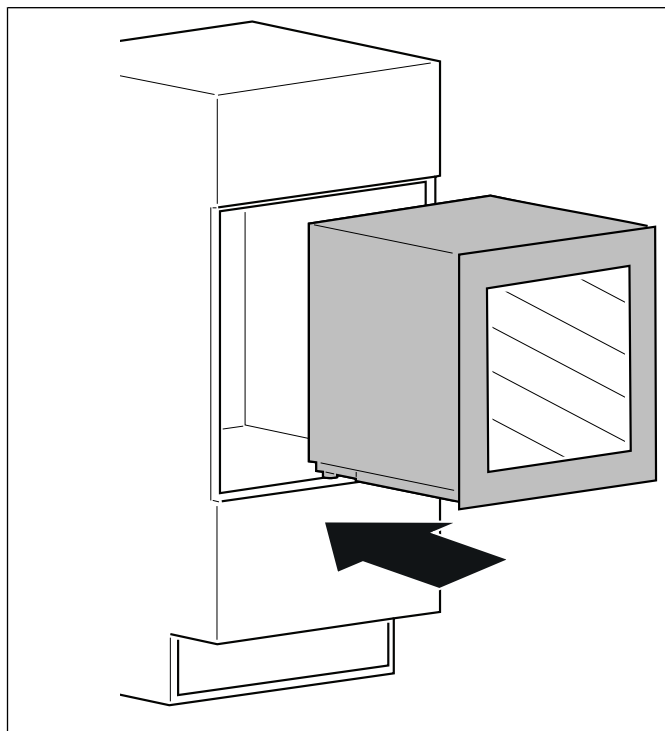


Fig. 4

- 2) Fixez le réfrigérateur à vin dans le haut de la niche d'armoire à l'aide de deux vis sur la plaque métallique supérieure.

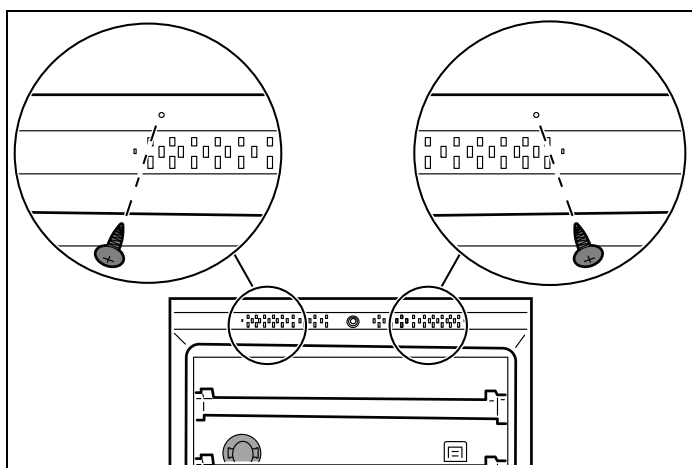


Fig. 5

- 3) Fixez le refroidisseur à vin dans le bas de la niche d'armoire à l'aide de deux vis sur la plaque métallique inférieure.

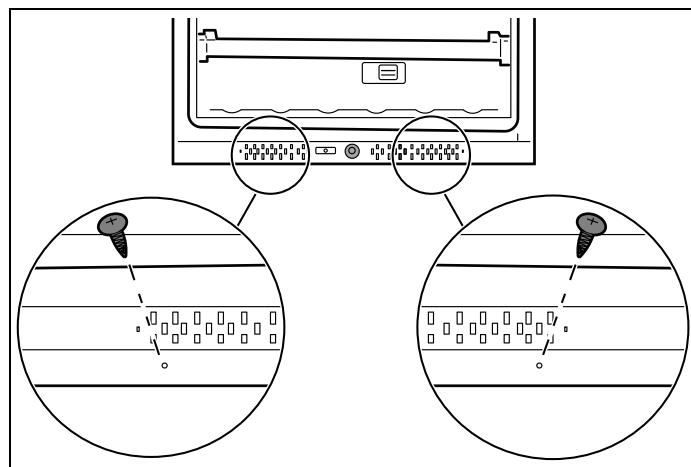


Fig. 6

- 4) Décollez l'adhésif 3M de la bande d'étanchéité incluse dans le sachet d'accessoires et, au besoin, coupez-le à la hauteur exacte de la niche d'armoire.

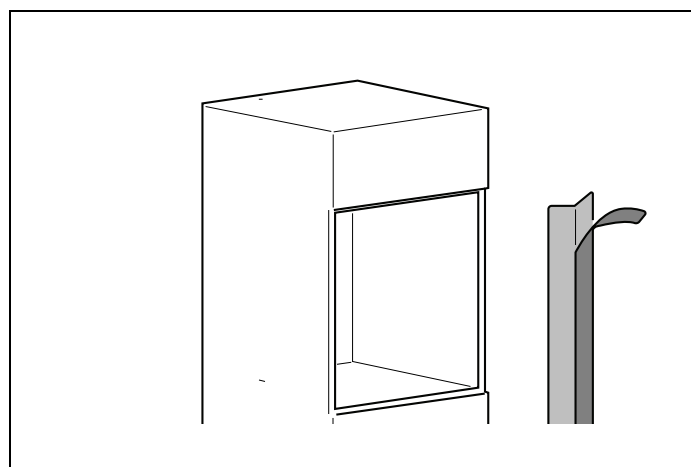


Fig. 7

# INSTRUCTIONS D'INSTALLATION

- 5) Placez la bande d'étanchéité dans l'espace entre les bords intérieurs de l'armoire et les bords de l'appareil. Cette bande a une fonction purement esthétique. Si elle n'est pas installée, cela ne compromet en aucun cas le bon fonctionnement de l'appareil.

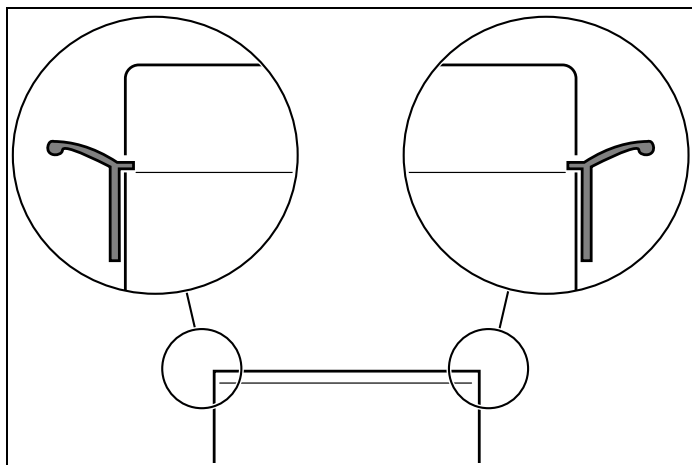


Fig. 8

- 6) L'installation est à présent terminée.

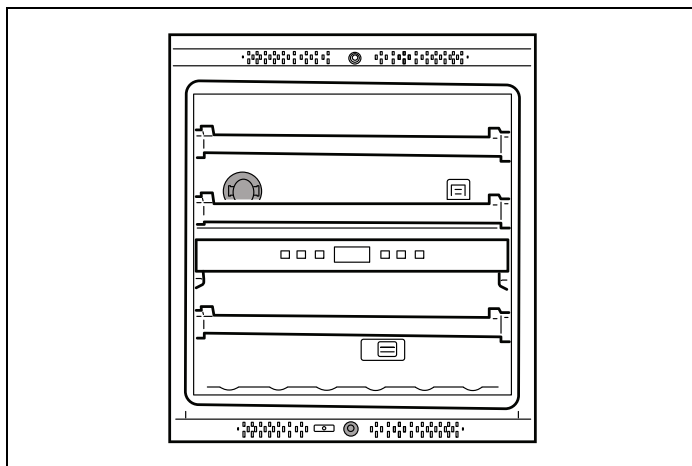
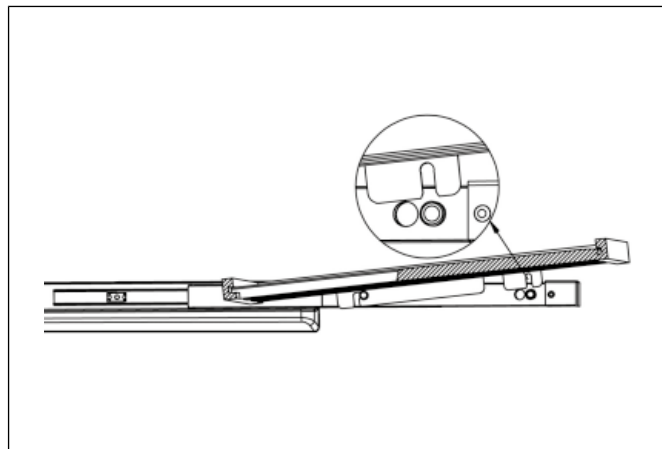


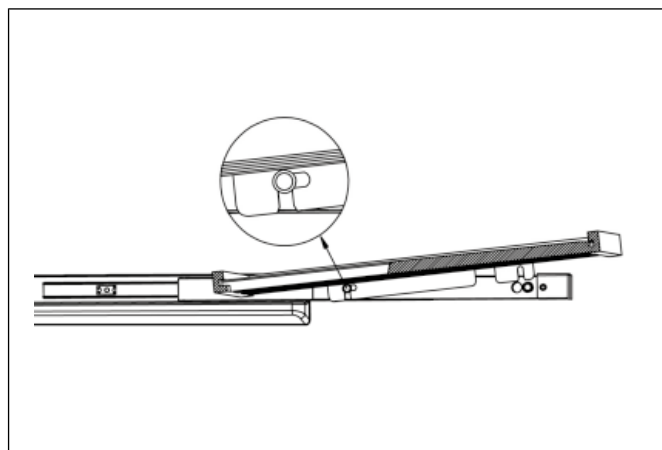
Fig. 9

## RETRAIT DES ÉTAGÈRES

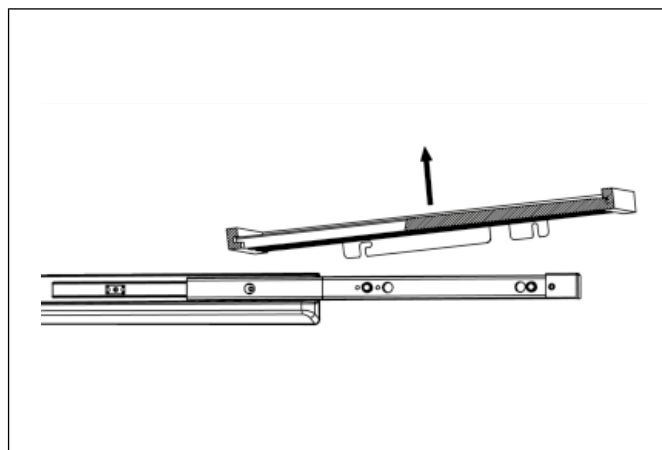
- 1) Retirer l'étagère à vin des glissières télescopiques situées à l'avant.



- 2) Tirer l'étagère à vin vers l'avant. Le montant de fixation des glissières télescopiques est verrouillé à l'arrière dans la position indiquée sur la figure.



- 3) Relever l'étagère à vin pour la retirer.



# UTILISATION

---

## AVANT LA PREMIÈRE UTILISATION

**Retirer tous les emballages extérieurs et intérieurs. Laisser l'appareil reposer en position verticale pendant au moins 24 heures avant de le mettre sous tension.**

Cela réduira le risque de dysfonctionnement du système de refroidissement causé par la manutention pendant le transport.

- Nettoyer l'intérieur du réfrigérateur comme recommandé dans la section *NETTOYAGE ET ENTRETIEN*. Avant de démarrer l'appareil, s'assurer que l'intérieur est sec.
- Brancher l'appareil dans une prise mise à la terre. L'éclairage intérieur s'allume lorsque la porte est ouverte.
- Faire fonctionner la colonne à vin pendant 6 heures avant d'y placer des bouteilles et n'ouvrir la porte que si cela est nécessaire.

### NOTE



Un bruit est audible lorsque le compresseur se met en marche. Les liquides et gaz enfermés dans le système de réfrigération peuvent également provoquer du bruit, même si le compresseur ne fonctionne pas. Ceci est tout à fait normal.

### NOTE



Les bords à l'avant de l'appareil peuvent être chauds. Ceci est normal. Ces zones sont conçues pour être chaudes afin d'éviter la condensation.

Pendant le fonctionnement, vous pouvez entendre des bruits tout à fait normaux :

- Bourdonnement : Le réfrigérateur fonctionne. Le ventilateur du système de recirculation d'air fonctionne.
- Bruits de bouillonnement, de bourdonnement ou de gargouillement : le réfrigérant circule dans les tuyaux.
- Clic : le moteur se met en marche ou s'arrête.

La porte de cet appareil ne peut être ouverte que par le côté gauche.

Si vous avez reçu un produit endommagé, contactez immédiatement le revendeur ou le distributeur auprès duquel vous avez acheté le produit.

Lisez attentivement et suivez ces instructions pour l'installation, l'utilisation et l'entretien de l'appareil.

Lisez la section de dépannage de ce manuel, qui vous aidera à diagnostiquer et à résoudre les problèmes les plus courants.

# UTILISATION

## ENTREPOSAGE INTERNE

Ce refroidisseur à vin dispose de 2 zones de température indépendantes, la zone supérieure réglable de 5 °C à 12 °C, et la zone de température inférieure réglable de 12 °C à 20 °C.

Les figures de cette section illustrent un schéma de chargement avec des bouteilles bordelaises standard. Veuillez noter que le réfrigérateur à vin peut également s'adapter à différents types de bouteilles. Les bouteilles Magnum peuvent être rangées sur l'étagère inférieure de la zone supérieure en retirant l'étagère supérieure.

Les étagères en bois peuvent être retirées pour augmenter la capacité de charge, mais rendent l'appareil moins pratique pour une utilisation quotidienne. Pour retirer une étagère, veuillez consulter le paragraphe *RETRAIT DES ÉTAGÈRES*.

La configuration la plus économe en termes d'énergie nécessite l'installation des étagères dans l'appareil.

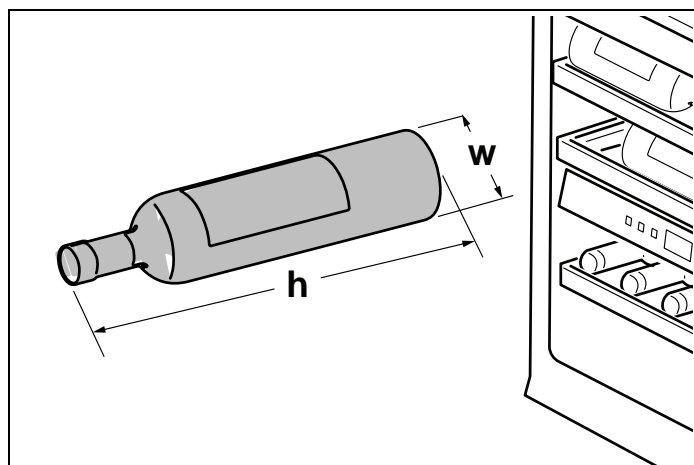


Fig. 10

- l. 76 mm
- h. 300 mm

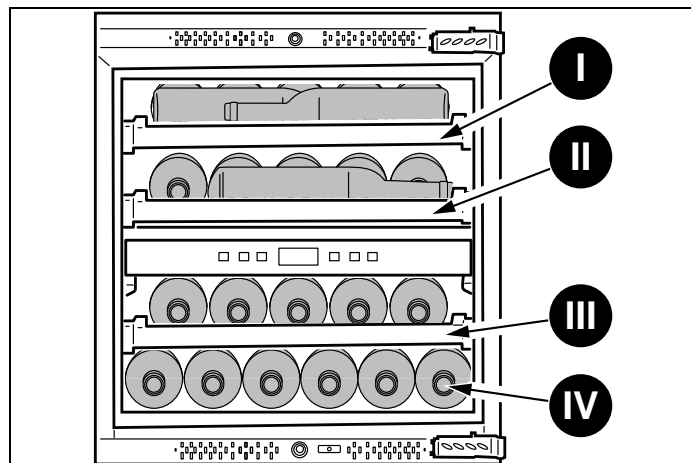


Fig. 11

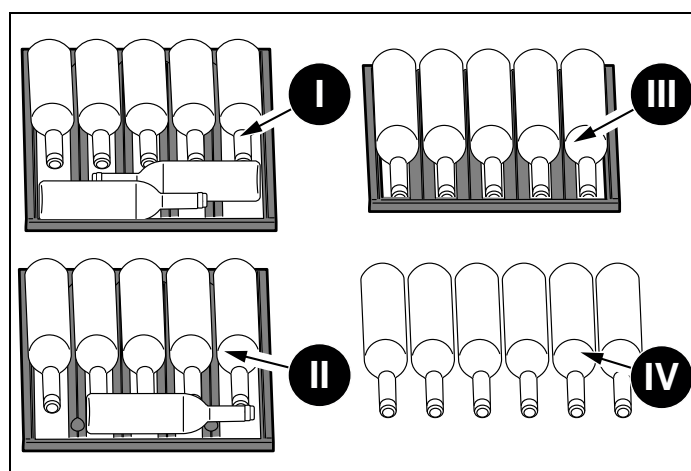


Fig. 12

### CAPACITÉ DE CHARGE

### ENTREPOSAGE DE BOUTEILLES (BOUTEILLE 1- TYPE BORDEAUX)

Zone supérieure	étagère supérieure (I)	7
	étagère inférieure (II)	6
Zone inférieure	étagère supérieure (III)	5
	étagère inférieure (IV)	6
<b>Total</b>		<b>24</b>

## UTILISATION

### RECOMMANDATIONS POUR LA CONSERVATION ET LE SERVICE DU VIN

Pour apprécier au mieux les qualités organoleptiques de chaque vin, il est nécessaire que le stockage et la consommation se fassent à certaines températures.

Le tableau suivant résume la température de conservation la plus adaptée à chaque type de vin. Il est recommandé, notamment pour les bouteilles de plus grande valeur, de suivre à la lettre les instructions fournies par le producteur.

TYPE DE VIN	TEMPÉRATURE DE CONSERVATION (°C)
Vins blancs jeunes et légers	10-12
Vins blancs à maturité et structurés	12-14
Vins blancs aromatiques	8-10
Vins rosés jeunes et légers	10-12
Vins rosés à maturité et corsés	12-14
Vins rouges jeunes	10-14
Vins rouges jeunes, légèrement tanniques et légers	14-16
Vins rouges à maturité, tanniques et corsés	16-18
Vins rouges très à maturité, tanniques et corsés	16-18
Vins mousseux doux et aromatiques	8-10
Vins rouges mousseux doux et aromatiques	10-12
Vins mousseux méthode Charmat	8-10
Vins mousseux méthode long méthode Charmat	10-12
Vins mousseux méthode classiques ou Charmat	8-10
Vins mousseux méthode classiques « Millesimato »	10-12
Vins mousseux secs et demi-secs	8-10
Vins pétillants	10-12
Vins mousseux doux supérieurs	10-12
Vins fortifiés, de dessert ou de paille	10-18

## UTILISATION

---

TYPE DE VIN	TEMPÉRATURE D'ENTREPOSAGE (°F)
Vins blancs jeunes et légers	50-54
Vins blancs à maturité et structurés	54-57
Vins blancs aromatiques	46-50
Vins rosés jeunes et légers	50-54
Vins rosés à maturité et corsés	54-57
Vins rouges jeunes	50-57
Vins rouges jeunes, légèrement tanniques et légers	57-61
Vins rouges à maturité, tanniques et corsés	16-18
Vins rouges très à maturité, tanniques et corsés	61-64
Vins mousseux doux et aromatiques	46-50
Vins rouges mousseux doux et aromatiques	50-54
Vins mousseux méthode Charmat	46-50
Vins mousseux méthode long méthode Charmat	50-54
Vins mousseux méthode classiques ou Charmat	46-50
Vins mousseux méthode classiques « Millesimato »	50-54
Vins mousseux secs et demi-secs	46-50
Vins pétillants	50-54
Vins mousseux doux supérieurs	50-54
Vins fortifiés, de dessert ou de paille	50-64

# UTILISATION

---

## Vins blancs

Les vins blancs ne se servent généralement pas à haute température, car ils sont généralement plus acides que les vins rouges et peu tanniques, raison pour laquelle ils sont plus appréciés à basse température.

Ces vins doivent de préférence être conservés et servis entre 10 °C et 14 °C (50 °F et 57 °F). Les vins jeunes, frais et aromatiques peuvent également être servis à 10 °C (50 °F), tandis que les moins aromatiques sont recommandés à 12 °C (54 °F). Les températures entre 12 °C et 14 °C (54 °F et 57 °F) conviennent aux vins blancs souples et à maturité vieillis quelques années en bouteille. Des températures plus élevées favoriseraient l'accentuation du caractère sucré du vin, au détriment de l'acidité et de la saveur qui sont considérées comme des caractéristiques agréables et souhaitables pour ce type de vin.

## Vins rosés

Les vins rosés se servent généralement à la même température que les vins blancs. Il faut cependant noter que ces vins peuvent contenir une certaine quantité de tannins et il peut donc être préférable de les déguster à des températures plus élevées pour ne pas les rendre trop astringents. Ainsi, on les sert entre 10 et 12 °C (50 et 54 °F) s'ils sont jeunes et frais et entre 12 et 14 °C (54 et 57 °F) s'ils sont plus charpentés et matures.

## Vins rouges

Contenant plus de tannins et étant moins acides, les vins rouges se servent généralement à des températures plus élevées.

Les vins plus jeunes et moins tanniques se servent généralement entre 14 et 16 °C (57 et 61 °F), tandis que les vins plus corsés et tanniques peuvent être servis à 16 °C (64 °F), et exceptionnellement même à 18 °C (64 °F). Certains vins vieillis plusieurs années en bouteille, encore corsés et tanniques, peuvent être servis à 18 °C (64 °F) voire à 20 °C (68 °F). Les vins rouges jeunes, peu tanniques et moins structurés, peuvent être dégustés à des températures plus basses, entre 12 et 14 °C (54 et 57 °F).

## Les vins mousseux méthode classique ou Charmat

Étant donné la grande variété de vins mousseux existants, il est difficile de donner des recommandations valables pour tous.

De manière générale, les vins mousseux plus doux et aromatiques doivent être servis à des températures plus basses, jusqu'à 8 °C (46 °F), en raison de leur aromatique. Les vins mousseux plus tanniques peuvent être servis à des températures plus élevées, jusqu'à 14 °C (57 °F).

Les vins mousseux secs de la méthode Charmat ou Martinotti, comme certains Proseccos, doivent généralement être servis entre 8 et 10 °C (46 et 50 °F). Les vins mousseux méthode classique et champenoise tels que le Champagne sont également normalement servis à ces températures, mais pour les vins mousseux vieillis un certain temps tels que le Millesimati, peuvent être servis jusqu'à 12 °C (54 °F) pour favoriser le développement d'arômes complexes.

Il est toutefois conseillé, surtout pour les meilleurs vins, de suivre les recommandations du producteur, imprimées sur la bouteille.

## Vins mousseux

Pour les vins pétillants, les indications de température sont les mêmes que pour les vins mousseux de la méthode classique ou Charmat et sont généralement servis entre 10 et 12 °C (50 et 54 °F). Pour les vins mousseux secs et demi-secs, une température de service légèrement inférieure, comprise entre 8 et 10 °C (46 et 50 °F), est recommandée.

## UTILISATION

---

### Vins fortifiés, de dessert ou de paille

Ce type de vin peut être servi à des températures comprises entre 14 et 18 °C (61 et 64 °F) selon les goûts de chacun et, pour atténuer le goût sucré et la forte teneur en alcool, il peut également être servi à 10 °C (50 °F).

Les vins de liqueur secs, comme le Marsala par exemple, contiennent tellement de sucre qu'ils ne sont pas perçus en bouche. Pour ces vins, la température de service doit être réglée en fonction de ce que l'on souhaite mettre en valeur. Si vous préférez accentuer la douceur du vin, la complexité de son bouquet et son austérité, il est préférable de le servir à une température élevée, entre 14 et 18 °C (61 et 64 °F), en gardant à l'esprit que cela renforcera également la composante alcoolique. Si vous souhaitez davantage accentuer leur fraîcheur, il faudra les servir à une température plus basse, entre 10 °C et 14 °C (50 et 61 °F). Les vins de liqueur secs, frais et jeunes peuvent également être servis à une température plus fraîche, inférieure à 10 °C (50 °F), afin de réduire considérablement la perception de l'alcool. Cependant, plus la température de service est basse, moins la perception des arômes sera importante. Le plaisir et la complexité des arômes typiques de ces vins sont une caractéristique bienvenue et intéressante : les servir trop froids signifie sacrifier cet aspect important.

# UTILISATION

## PANNEAU DE COMMANDE

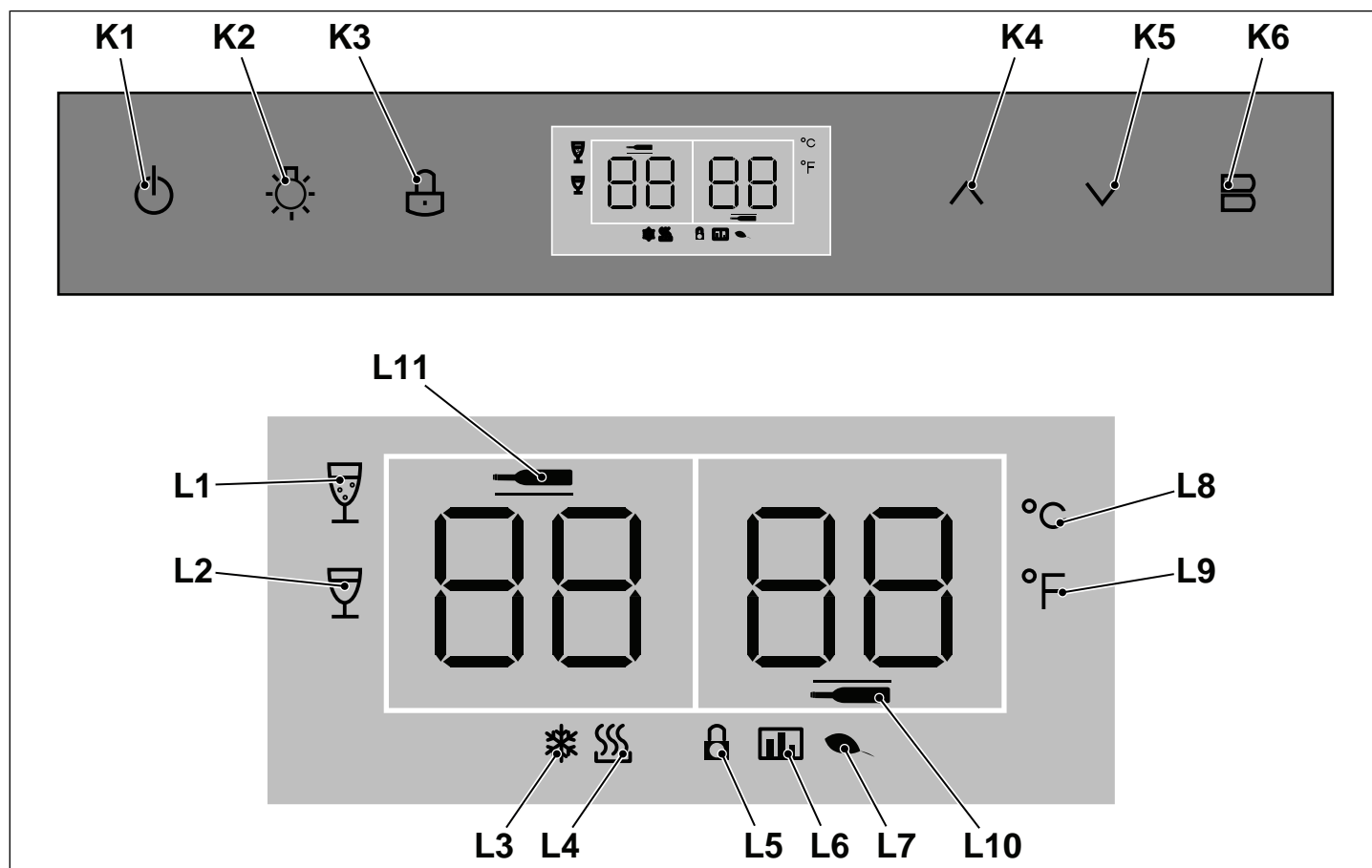


Fig. 13

- **[K1]** Bouton Marche/Arrêt (On/Off)
- **[K2]** Bouton d'éclairage
- **[K3]** Bouton de Sécurité enfants
- **[K4]** Bouton d'Augmentation de la température
- **[K5]** Bouton de Réduction de la température
- **[K6]** Bouton de Sélection de la zone de température
- **[L1]** Icône du mode Vin mousseux
- **[L2]** Icône du mode Vin blanc
- **[L3]** Icône de Réfrigération
- **[L4]** Icône de Chauffage
- **[L5]** Icône de Sécurité enfant
- **[L6]** Icône du mode Show-room
- **[L7]** Icône du mode Économie d'énergie
- **[L8]** Icône Celsius
- **[L9]** Icône Fahrenheit
- **[L10]** Icône Zone de température inférieure
- **[L11]** Icône Zone de température supérieure

# UTILISATION

## BOUTON MARCHE/ARRÊT (ON/OFF)

Cette touche sert à allumer et à éteindre l'ensemble de l'appareil. Appuyez sur **[K1]** pendant 3 secondes pour allumer/éteindre l'appareil. Lorsqu'il est éteint, l'appareil se déconnecte de toutes les sources d'alimentation externes et passe en mode veille. Quand l'appareil est éteint, le bouton **[K1]** clignote pendant 2 secondes lorsque la porte est ouverte.

## ACTIVATION/DÉSACTIVATION DE LA SÉCURITÉ ENFANT

La sécurité enfant est une fonction qui permet d'empêcher les enfants de modifier les réglages de l'appareil. Appuyez sur le bouton **[K3]** pendant 3 secondes pour verrouiller/déverrouiller le panneau de commande.

Lorsque la sécurité enfant est activée, l'icône en forme de cadenas s'allume sur l'écran numérique et est accompagnée d'un signal sonore qui indique que l'écran est verrouillé. Désactivez le verrouillage enfant pour modifier les paramètres.



### NOTE

Chaque fois que le courant est rétabli, le système passe automatiquement par défaut à l'état déverrouillé.

## BOUTONS DE RÉGLAGE DE LA TEMPÉRATURE

Pour modifier la température du réfrigérateur à vin, sélectionnez d'abord la zone supérieure ou inférieure à l'aide du bouton **[K6]** ; l'icône correspondante **[L11]** ou **[L10]** de la zone sélectionnée se met à clignoter à l'affichage. Appuyez sur le bouton **[K4]** pour augmenter la valeur de température de 1 degré à chaque pression. Appuyez sur le bouton **[K5]** pour diminuer la valeur de température de 1 degré à chaque pression. La température peut être réglée de 5 °C (41 °F) à 12 °C (54 °F) dans la zone supérieure et de 12 °C (54 °F) à 20 °C (68 °F) dans la zone inférieure, ce qui rend la zone supérieure idéale pour les vins blancs et la zone inférieure parfaite pour les vins rouges. Les températures sont réglées dès que les températures cessent de clignoter après 5 secondes et que le réfrigérateur émet un son.



### NOTE

Lorsque la température des zones est modifiée, les écrans afficheront immédiatement les températures sélectionnées sur chacun des zones. Les températures réelles à l'intérieur des zones changeront progressivement jusqu'à atteindre les températures de consigne souhaitées. L'appareil met un certain temps à atteindre les nouvelles températures de consigne ; ceci est normal.



### NOTE

Lorsque le compresseur s'active pour le refroidissement, une icône en forme de flocon de neige s'affiche à l'écran et l'icône **[L11]** et/ou l'icône **[L10]** représentant les deux zones de température clignote (nt) pour indiquer que l'une et/ou l'autre zone est/sont en train de se refroidir.

La zone de température supérieure offre deux modes de conservation du vin à différentes plages de température, comme illustré dans le tableau ci-dessous.

ZONE DE TEMPÉRATURE	TYPE DE VIN	RÉGLAGE DE TEMPÉRATURE PAR DÉFAUT	PLAGE DE TEMPÉRATURE °C	PLAGE DE TEMPÉRATURE °F
Zone supérieure	Mode Vin mousseux (icône L1)	5	5-8	41-47
Zone supérieure	Mode Vin blanc (icône L2)	9	9-12	48-54
Zone inférieure	Mode Vin rouge	12	12-20	54-68

# UTILISATION

---

## MODE DIVERTISSEMENT

L'allumage/extinction des lampes LED dépend de l'ouverture/la fermeture de la porte. Lorsque la porte est ouverte, les lumières s'allument automatiquement. Lorsque la porte est fermée, les lumières s'éteignent pour économiser de l'énergie.

Appuyez sur le bouton **[K2]** pour activer le mode divertissement et garder la lumière allumée en permanence même lorsque la porte est fermée. Chaque fois que vous appuyez sur le bouton, un bip retentit.



### NOTE

Si le réfrigérateur à vin est éteint alors que le mode divertissement est actif, le mode divertissement restera activé lorsque le refroidisseur est rallumé.

## SÉLECTION DES DEGRÉS CELSIUS ET FAHRENHEIT

Pour passer de Celsius à Fahrenheit et vice versa, appuyez simultanément sur les boutons **[K4]** + **[K5]** pendant 3 secondes lorsque le réfrigérateur à vin est en mode verrouillage. Après un « bip », l'affichage de la température passe de °C à °F. Celsius est défini comme valeur par défaut.

## MODE SHOW-ROOM

En état « déverrouillé », appuyez simultanément sur les boutons **[K2]** + **[K6]** pendant 5 secondes pour activer la fonction.

Ce mode est utilisé lorsque le réfrigérateur est exposé dans un magasin de détail ou si vous souhaitez éteindre le refroidissement et désactiver toutes les autres fonctions à l'exception de l'éclairage intérieur. Une fois activée, après un bip sonore, l'icône du mode Show-room **[L6]** s'affiche à l'écran (selon le modèle). Appuyez simultanément sur **[K2]** + **[K6]** pour désactiver à n'importe quel moment le mode Show-room.



### NOTE

N'entrez aucun article en mode Show-room, car l'appareil reste alors à température ambiante. Si le réfrigérateur à vin est éteint alors que le mode Show-room est actif, le mode Show-room restera activé lorsque le refroidisseur est rallumé.

## MODE SABBAT

Appuyez simultanément sur les touches **[K5]** et **[K6]** pendant 3 secondes pour activer/désactiver la fonction. Lorsque le mode Sabbat est activé, toutes les lumières, les buzzers, les écrans numériques s'éteignent. Le compresseur et le ventilateur continuent de fonctionner normalement. Le mode est automatiquement désactivé après 36 heures de fonctionnement. Si l'appareil est éteint, l'état n'est pas maintenu. Appuyez simultanément sur les touches **[K5]** et **[K6]** pendant 3 secondes pour désactiver le mode Shabbat à tout moment. En mode Shabbat, en appuyant sur n'importe quelle touche, l'écran d'affichage et les boutons s'allument, puis s'éteindront après 5 secondes d'inactivité.

## MODE ÉCONOMIE D'ÉNERGIE

À l'état « verrouillé » (avec les touches et l'écran éclairés), appuyez sur le bouton **[K2]** pendant 3 secondes. Après un bip, l'icône Économie d'énergie **[L7]** s'allume, l'éclairage des boutons s'éteint et seul l'écran d'affichage numérique reste allumé. Lorsque tous les boutons sont éteints, en appuyant brièvement sur n'importe quelle touche, l'éclairage des boutons s'allume pendant 5 secondes, avant de s'éteindre à nouveau.

En appuyant à nouveau sur le bouton **[K2]** pendant 3 secondes, l'écran d'affichage numérique s'éteint. À l'état complètement éteint, toute pression d'un bouton quel qu'il soit active à la fois l'éclairage des boutons et l'écran pendant 5 secondes. Si vous appuyez une troisième fois sur le bouton **[K2]** pendant 3 secondes, l'état « Toujours actif » est rétabli et l'icône Économie d'énergie est désactivée.

## ALARME PORTE OUVERTE

Si la porte du réfrigérateur à vin reste ouverte pendant plus de 3 minutes, les voyants commencent à clignoter, une alarme sonore retentit et le compresseur cesse de fonctionner. Appuyez sur n'importe quelle touche à l'exception du bouton d'allumage pour arrêter le son et restaurer les fonctions d'affichage ; cela réinitialisera la minuterie. Fermez la porte pour éviter que la température ne monte trop haut.

## PRÉCAUTIONS ET MAINTENANCE

---



### MISE EN GARDE

Débranchez toujours l'appareil de l'alimentation secteur avant d'effectuer tout nettoyage ou entretien.

## INSTRUCTIONS DE REMPLACEMENT DE L'ÉCLAIRAGE À LED

Pour assurer un éclairage intérieur optimal, des bandes LED éclairent l'appareil par le haut et des jeux de lumières LED éclairent directement différentes zones.

En cas de dysfonctionnement et/ou d'usure du système d'éclairage, les réparations doivent être effectuées par un technicien de service qualifié.

## NETTOYAGE DES SURFACES INTÉRIEURES

Pour nettoyer l'intérieur de la colonne à vin, ouvrir la porte et retirer les étagères. Essuyer l'intérieur de l'appareil à l'aide d'un chiffon propre et un détergent doux ou avec une éponge douce et une solution de bicarbonate de soude et d'eau tiède. Ne pas utiliser de produits ou de détergents abrasifs. Après le lavage, rincer et sécher soigneusement.

Nettoyer les étagères en bois à l'aide d'un chiffon doux légèrement humide. Éviter d'utiliser des savons, des détergents et/ou des éponges qui peuvent endommager les surfaces en bois et en acier. Sécher soigneusement les étagères avant de les replacer dans la colonne à vin.



### MISE EN GARDE

Ne pas utiliser de vinaigre, d'alcool à brûler ou d'autres produits de nettoyage à base d'alcool sur les surfaces intérieures.

Si l'appareil ne va pas être utilisé pendant une période prolongée, débranchez et nettoyez l'appareil. Les portes doivent être laissées légèrement entrouvertes pour éviter la formation de moisissures et d'odeurs désagréables.

## DÉCONGÉLATION

La colonne à vin est conçue avec un système de dégivrage automatique. Cependant, sur des réglages plus froids, du givre peut s'accumuler. De plus, plus les conditions ambiantes sont humides, plus le givre peut s'accumuler. Garder la porte fermée autant que possible et éviter de l'ouvrir inutilement pour minimiser l'accumulation de givre.

Si le givre empêche la porte de se fermer correctement, vous devrez peut-être éteindre l'appareil jusqu'à ce que le givre fonde (éventuellement jusqu'à 24 heures). Utiliser un chiffon doux et absorbant pour sécher l'appareil.



### MISE EN GARDE

Ne pas endommager les tuyaux de réfrigération.

## BRUITS ET SIGNIFICATION

Cette colonne à vin peut émettre des sons normaux pendant son fonctionnement.

Les surfaces dures telles que le sol ou les murs peuvent donner l'impression que les sons sont plus forts qu'ils ne le sont en réalité.

Vous trouverez dans la liste ci-dessous les sons les plus courants et leurs causes :

- Cliquetis : en raison du flux de réfrigérant ou d'objets placés sur l'appareil.
- Sons forts ou aigus : le compresseur à haut rendement peut émettre des sons en raison de son fonctionnement normal.
- Bruit d'éclaboussure : dû à l'eau qui s'écoule de l'évaporateur vers le réservoir d'eau.
- Bruit de gargouillement : réfrigérant qui s'écoule dans l'appareil.
- Bruit d'air : on entend l'air poussé sur le condenseur par le ventilateur du condenseur.

## PANNE DE COURANT

La plupart des pannes de courant sont résolues en quelques heures et ne devraient pas affecter la température de l'appareil si le nombre de fois où la porte est ouverte est réduit au minimum. Si la panne de courant se prolonge, des mesures appropriées doivent être prises pour protéger le contenu de votre appareil.

# RÉSOLUTION DE PROBLÈMES

---

Si vous rencontrez des problèmes avec votre appareil, vous devez consulter cette section de Résolution de problèmes avant d'appeler le service client.

## Si l'appareil ne fonctionne pas, vérifiez que :

- L'appareil est sous tension.
- Les fusibles de la maison sont intacts et le fusible de la prise n'a pas sauté.
- L'appareil n'a pas été éteint.
- La prise électrique fonctionne correctement. Pour le vérifier, branchez-y un autre appareil électrique pour voir si la prise est défectueuse.

## Si l'appareil fonctionne, mais pas très bien, vérifiez que :

- L'appareil n'est pas en surcharge.
- La température ambiante ne dépasse pas la température de fonctionnement optimale du réfrigérateur à vin.
- Le thermostat est réglé sur une température appropriée.
- Les portes se ferment correctement.
- Le système de refroidissement à l'arrière de l'appareil est propre et sans poussière et ne touche pas la paroi arrière.
- Il y a suffisamment de ventilation autour des parois latérales et arrière.

## Si l'appareil n'est pas suffisamment froid, vérifiez que :

- La température n'est pas trop élevée.
- L'appareil n'est pas installé à côté d'une source de chaleur.
- La porte n'est pas ouverte trop fréquemment ou pendant de longues périodes.
- Le joint de porte est bien étanche.
- L'appareil n'est pas réglé sur le mode démo.
- L'appareil est suffisamment ventilé et est installé conformément aux exigences d'installation spécifiées dans ce manuel.

## Si l'appareil est bruyant, vérifiez que :

- L'appareil est de niveau et stable.
- Les étagères sont correctement positionnées à l'intérieur de l'appareil.
- La température ambiante est plus élevée que la normale.
- Le joint de la porte est correctement scellé.
- La porte n'est pas ouverte trop fréquemment ou pendant de longues périodes.
- L'appareil est suffisamment ventilé et est installé conformément aux exigences d'installation spécifiées dans ce manuel.



## NOTE

Le gaz réfrigérant dans le réfrigérateur peut faire un léger bruit de bouillonnement ou de gargouillis, même lorsque le compresseur ne fonctionne pas.



## NOTE

Certains bruits de claquement ou de craquement sont normaux. Ils sont dus à la dilatation et la contraction des parois intérieures en raison des changements de température.

## Si la porte ne peut pas être fermée correctement, vérifiez que :

- L'appareil est de niveau et stable.
- Les charnières de la porte ne sont pas desserrées.
- Le joint de porte n'est ni sale ni lâche.
- Les étagères sont correctement positionnées à l'intérieur de l'appareil.

## Si l'appareil émet un bip, vérifiez que :

- Les portes sont fermées. Une alarme retentit après qu'une porte a été ouverte pendant 3 minutes.

## Si du givre s'est formé dans l'appareil :

- L'environnement est trop humide.
- La température de la pièce est trop basse.
- La porte est ouverte trop fréquemment.
- L'appareil est équipé d'un système de dégivrage automatique, mais dans certaines conditions, un dégivrage manuel peut être nécessaire. Si du givre se forme périodiquement, essayez de faire fonctionner le réfrigérateur à une température plus élevée, en minimisant le nombre d'ouvertures de porte ou en débranchant l'appareil pour permettre au givre de fondre.
- Vérifiez pour tout pli, débris ou dommage au niveau du joint de la porte. Si vous en remarquez et que vous ne parvenez pas à résoudre le problème vous-même, contactez le service client afin que le joint puisse être remplacé.
- Cela peut être dû au fait que la ou les portes de l'armoire ne sont pas correctement installées. En cas de doute, demandez à votre installateur de vérifier les portes de l'armoire.

## Si une ou plusieurs des unités LED à l'intérieur de l'appareil ne fonctionnent pas :

- Vérifiez que les voyants n'ont pas été éteints à l'aide du bouton d'affichage dédié.
- Vérifiez qu'il y a une connexion d'alimentation.
- Vérifiez que le circuit de la prise ou le fusible ne sont pas endommagés.

## RÉSOLUTION DE PROBLÈMES

---

- Contactez le service client pour organiser une visite de service.

### **Si le châssis de l'appareil est électrifié :**

- L'unité n'est pas correctement mise à la terre. Contactez votre électricien pour tester votre système de mise à la terre électrique.

# CODES D'ERREUR

En cas de dysfonctionnement, contactez un technicien de service pour les réparations

EXPLICATION	CODE CIRCUIT
Court-circuit du capteur de température de l'espace	HH
Circuit ouvert du capteur de température de l'espace	LL
Alarme Haute température	25/77
Alarme Basse température Zone de température supérieure	2
Alarme Basse température Zone de température inférieure	5
Court-circuit du capteur de température ambiante	1H
Circuit ouvert du capteur de température ambiante	1L



## NOTE

En présence d'un code d'erreur, l'écran affiche le code d'erreur et un signal sonore retentit.

Si vous souhaitez désactiver la sonnerie de l'alarme, appuyez sur la touche marche/arrêt.



## NOTE

Si l'écran affiche "HH" ou "LL" et qu'un bip sonore retentit en continu, cela signifie que le capteur de température est défectueux. Veuillez contacter immédiatement un professionnel afin qu'il procède à la réparation.

### 1) Alarme Haute température :

- L'alarme se déclenche si l'une des conditions suivantes est remplie (déterminée séparément pour chaque zone de température) : 1. Température de la zone  $\geq 25$  °C pendant plus de 3 heures.
- Caractéristiques de l'alarme : L'éclairage des voyants et l'affichage numérique 25 °C ou 77 °F clignotent simultanément, le signal sonore retentit, avec une fréquence de 1 clignotement toutes les 3 secondes.
- La désactivation automatique de l'alarme nécessite de remplir toutes les conditions suivantes : Température de la zone  $< 25$  °C Durée  $\geq 1$  min
- Caractéristiques de charge pendant l'alarme : toutes les charges ne sont pas affectées par l'alarme et fonctionnent selon les conditions de température actuelles.

### 2) Alarme Basse température :

- L'alarme se déclenche si l'une des conditions suivantes est remplie (déterminée séparément pour chaque zone de température) :
  - 2.1) Température de la zone de température supérieure  $\leq 2$  °C, maintenue pendant 30 minutes.
  - 2.2) Température de la zone de température inférieure  $\leq 5$  °C, maintenue pendant 30 minutes.
- Caractéristiques de l'alarme : L'affichage Basse température de la zone de température supérieure clignote à 2 °C / 36 °F, et l'affichage Basse température de la zone de température inférieure clignote à 5 °C / 36 °F. Le bip sonore retentit et les voyants clignotent à une fréquence de 1 clignotement toutes les demi-secondes.
- L'alarme se désactive si l'une des conditions suivantes est remplie (déterminée séparément pour chaque zone de température) :
  - 2.1) Zone de température supérieure  $> 5$  °C, durée  $\geq 1$  min.
  - 2.2) Zone de température inférieure  $> 5$  °C, durée  $\geq 1$  min.



Bertazzoni s'engage à fournir un service de la plus haute qualité à ses clients. Dans le cas peu probable où votre produit présenterait un défaut de fabrication, veuillez contacter notre équipe d'assistance au sur le site :

<https://fr.bertazzoni.com/customer-care>

Il vous sera demandé de fournir des informations sur le produit, une preuve d'achat, une photo de l'étiquette de données argentée et une description du problème. Veuillez préparer ces informations.

## **VAN HET BUREAU VAN ONZE VOORZITTER**

Beste nieuwe eigenaar van een Bertazzoni-apparaat,

Ik wil u bedanken voor uw keuze van een van onze prachtige producten voor uw huis.

Mijn familie is in 1882 begonnen met de productie van keukenapparatuur in Italië, en heeft een reputatie opgebouwd dankzij de kwaliteit van de techniek en de passie voor heerlijk voedsel.

Vandaag de dag onderscheiden onze producten zich door hun unieke mix van authentiek Italiaans design en superieure apparaattechnologie. Het is onze missie om producten te maken die perfect functioneren en vreugde brengen aan hun eigenaren.

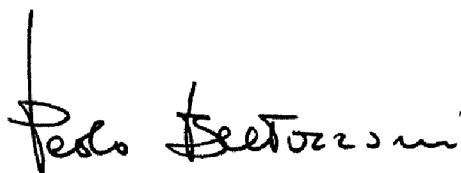
Door mooie producten te maken reageren we op de flair van onze klanten voor fraai design. Door onze apparaten veelzijdig en gebruiksvriendelijk te maken, wordt koken met Bertazzoni een waar genot.

Deze handleiding helpt u uw Bertazzoni-apparaat op de veiligste en meest effectieve manier te gebruiken en te onderhouden, zodat het u de komende jaren uiterst tevreden zal stellen.

Geniet ervan!

Paolo Bertazzoni

Voorzitter

A handwritten signature in black ink that reads "Paolo Bertazzoni". The signature is written in a cursive, slightly stylized font.



## **GELDIGHEID VAN DE GEBRUIKERSHANDLEIDING**

De volgende handleiding is alleen geldig voor de productcode **RWC60B4DNRP**.

# INHOUDSOPGAVE

---

BELANGRIJKE VEILIGHEIDS- EN MILIEU-INFORMATIE	95
ALGEMENE INFORMATIE	95
INFORMATIE OVER DE HANDLEIDING	95
VEILIGHEIDSINFORMATIE	96
ZORG VOOR HET MILIEU	98
CONFORMITEIT	98
ENERGIEBESPARING	99
HET APPARAAT VERPLAATSEN	99
SPECIFICATIES	100
BESCHRIJVING VAN HET APPARAAT	100
TECHNISCHE SPECIFICATIES	100
KAMERTEMPERATUUR	100
INSTALLATIE	101
INSTALLATIE-INSTRUCTIES	101
VOORBEREIDING VOOR DE INSTALLATIE	101
ELEKTRISCHE VEREISTEN	101
VENTILATIE	102
PRODUCTAFMETINGEN	103
AFMETINGEN KAST	104
INSTALLATIE-INSTRUCTIES	105
DE REKKEN VERWIJDEREN	106
GEBRUIKER EN ONDERHOUD	107
GEBRUIK	107
VOOR HET EERSTE GEBRUIK	107
INTERNE OPBERGRUIMTE	108
AANBEVELINGEN VOOR HET BEWAREN EN SERVEREN VAN WIJN	109
BEDIENINGSPANEEL	113
VERZORGING EN ONDERHOUD	116
INSTRUCTIES VOOR HET VERVANGEN VAN LED-LAMPEN	116
REINIGING VAN DE BINNENKANT	116
ONTDOOIEN	116
GELUIDEN EN BETEKENIS	116
STROOMSTORING	116
PROBLEMEN OPLOSSEN	117
FOUTCODES	118
GARANTIE	119
GARANTIE EN SERVICE	119

# BELANGRIJKE VEILIGHEIDS- EN MILIEU-INFORMATIE

## ALGEMENE INFORMATIE

### INFORMATIE OVER DE HANDLEIDING

Deze instructies zijn geldig voor verschillende soorten apparaten en dus kunnen ze beschrijvingen of functies bevatten die uw apparaat niet bevat of ondersteunt.

De afbeeldingen en illustraties in dit document verwijzen naar diverse modellen en kunnen enigszins afwijken van het gekochte product.

De fabrikant aanvaardt geen aansprakelijkheid voor persoonlijk letsel of materiële schade veroorzaakt door een onjuiste installatie of een oneigenlijk gebruik van het apparaat.

De fabrikant behoudt zich het recht voor om de verschillende modellen naar noodzaak te wijzigen om te voldoen aan de geldende technische voorschriften.

Neem in geval van klachten contact op met de klantenservice. Lees de aanwijzingen van deze handleiding aandachtig door voordat u het apparaat installeert en/of gebruikt. Op deze manier leert u uw nieuwe apparaat kennen. Houd dit document onder handbereik, zodat u het op elk moment kunt raadplegen, en overhandig het aan eventuele volgende eigenaren.

Lees de veiligheidsberichten in de inleiding van deze handleiding en besteed de nodige aandacht aan veiligheidsaanwijzingen zoals: "Opgelet", "Waarschuwing" en "Gevaar" die in de tekst worden aangegeven.



### GEVAAR

Dit symbool duidt op een situatie die gevaarlijk is voor u en voor anderen. Lees de informatie zorgvuldig door en zorg ervoor dat u de oorzaken van potentieel gevaarlijke of dodelijke ongevallen perfect hebt begrepen.



### WAARSCHUWING

Dit symbool duidt op veiligheidsinformatie. Lees de informatie zorgvuldig door en zorg ervoor dat u de oorzaken van potentieel gevaarlijke ongevallen perfect hebt begrepen.



### OPGELET

Dit symbool duidt op een procedure die de structuur of de onderdelen van het apparaat in gevaar kan brengen. Besteed bijzondere aandacht aan deze procedures.



### OPMERKING

Dit symbool markeert methoden of procedures voor het correcte gebruik van het apparaat.

Het model, de verkoopcode en het serienummer zijn op het typeplaatje gedrukt. Raadpleeg het deel Specificaties van deze handleiding voor de plaats van het typeplaatje.



### OPMERKING

We adviseren om de gegevens en de serienummers van het apparaat te noteren zodat u ze, indien nodig, onmiddellijk binnen handbereik heeft.



### OPMERKING

Vermeld de informatie van het typeplaatje om de aftersales- en onderdelenservices te verbeteren. Voor garantiedoeleinden heeft u tevens de installatiedatum en de naam van uw erkende dealer van Bertazzoni nodig.



### WAARSCHUWING

Volg de standaard voorzorgsmaatregelen wanneer u het apparaat gebruikt. Lees alle instructies door voordat het apparaat wordt gebruikt. Bewaar deze instructies en overhandig ze aan elke volgende gebruiker.

# BELANGRIJKE VEILIGHEIDS- EN MILIEU-INFORMATIE

## VEILIGHEIDSINFORMATIE

Dit apparaat is bedoeld voor gebruik in het woonomgevingen en soortgelijke toepassingen, zoals:

- Personeelskeukens in winkels, kantoren en andere werkomgevingen;
- in boerderijen en voor gebruik door gasten in hotels, motels en andere woonomgevingen;
- Omgevingen van het bed-and-breakfast type;
- Catering en soortgelijke non-retail toepassingen.

Het apparaat mag op geen enkele andere wijze worden gebruikt dan waarvoor het is bestemd. Het apparaat mag alleen worden gebruikt voor het bewaren van wijn.

De fabrikant is niet aansprakelijk voor schade die voortvloeit uit onjuist gebruik of onjuist vervoer.

Originele reserveonderdelen zijn 10 jaar na de aankoopdatum van het product leverbaar.

## RISICO'S VOOR KINDEREN EN KWETSBARE PERSONEN VERMIJDEN

Dit apparaat is niet bedoeld voor gebruik door personen (inclusief kinderen) met verminderde lichamelijke of zintuiglijke vermogens of die gebrek aan ervaring en kennis hebben, tenzij iemand die verantwoordelijk is voor hun veiligheid toezicht op hen houdt of hen instructies heeft gegeven over het gebruik van het apparaat.

Houd toezicht op kinderen om te voorkomen dat ze met het apparaat gaan spelen.

De reiniging en verzorging mogen niet worden uitgevoerd door kinderen, tenzij ze onder toezicht staan van een volwassene.

Houd het apparaat en het snoer buiten het bereik van kinderen die jonger dan 8 jaar zijn.

## RISICO OP ELEKTRISCHE SCHOKKEN

- Zorg ervoor dat de stekker uit het stopcontact is gehaald tijdens installatie, onderhoud, reiniging en reparaties.
- Zorg er bij de installatie van het apparaat voor dat de voedingskabel niet afgekneld of beschadigd raakt.
- Als de voedingskabel van dit apparaat beschadigd is, moet het vervangen worden door de fabrikant, de klantendienst of een gelijkaardig gekwalificeerd persoon. Verkeerde installaties en reparaties kunnen een aanzienlijk risico voor de gebruiker vormen.
- Gebruik geen adapter. Gebruik geen verlengsnoer.
- Steek de stekker niet in het stopcontact als het stopcontact los zit. Trek niet aan de kabel om de stekker van het apparaat uit het stopcontact te trekken.
- Haal de stekker uit het stopcontact als u tijdens het gebruik een storing ondervindt. Als het apparaat niet goed werkt, moet het buiten gebruik geplaatst worden tot het door een erkend assistentiecentrum is

gerepareerd. De fabrikant kan niet aansprakelijk worden gesteld voor schade die voortvloeit uit procedures die door onbevoegde personen zijn uitgevoerd.

- Was het apparaat nooit door er water op te gieten, te gooien of te spuiten. Raak de stekker nooit met natte handen aan.
- Gebruik nooit stoom of stoomreinigers om de koelkast schoon te maken of te ontdooien. Als stoom met de elektrische onderdelen van de koelkast in aanraking komt, kan een kortsluiting of elektrocutie worden veroorzaakt.
- Sluit uw koelkast nooit aan op een energiebesparend apparaat. Dergelijke systemen zijn schadelijk voor uw apparaat.

## EXPLOSIEGEVAAR

- Gebruik geen enkel elektrisch apparaat binnenin de voedselopslagcompartimenten.
- Gebruik geen mechanische apparaten of andere middelen om het ontdooiproces te versnellen, gebruik alleen degene die door de fabrikant worden aanbevolen.
- Bewaar geen explosieve stoffen, zoals spuitbussen met een ontvlambaar drijfgas, in dit apparaat.
- Flessen met sterk alcoholische dranken moeten zeer goed gesloten en verticaal opgeslagen worden.

## GEVAAR VOOR LETSEL

- Plaats geen koolzuurhoudende dranken in blikjes of glazen houders in het vriescompartiment. Ze kunnen ontploffen.
- Gebruik nooit koelkastonderdelen zoals de deur of laden om tegen te leunen of als opstapje. Hierdoor kan het apparaat kantelen of beschadigen.
- Ga niet op het apparaat zitten en plaats er geen zware voorwerpen op.
- Ga niet op de deur of op open lades zitten of leunen. Neem de deur of handgreep niet vast om het apparaat te verplaatsen.
- Zet de koelkast niet te vol. Voorwerpen in de koelkast kunnen vallen wanneer de deur wordt geopend, wat letsel of materiële schade kan veroorzaken.
- Zorg ervoor dat u uw handen of een ander lichaamsdeel niet in bewegende delen van de koelkast (bijv. automatische ijsmaker) steekt.

## VERSTIKKINGSGEVAAR

- De verpakkingsmaterialen kunnen een gevaar voor kinderen vormen. Laat kinderen niet met plastic zakjes, plastic folie of polystyreen spelen.
- Als er een slot op de deur van het apparaat zit, moet de sleutel buiten bereik van kinderen worden bewaard.

## GEVAAR VOOR VOEDSELVERGIFTIGING

- Plaats rauw vlees en vis in geschikte houders in de koelkast om te voorkomen dat ze met ander voedsel in aanraking kunnen komen of erover lekken.

## BELANGRIJKE VEILIGHEIDS- EN MILIEU-INFORMATIE

---

- Laat de deur niet lang open staan om te vermijden dat de temperatuur in de compartimenten van het apparaat aanzienlijk stijgt.
- Reinig regelmatig de oppervlakken die in aanraking kunnen komen met voedsel en de toegankelijke drainagesystemen.
- Schakel de koelkast uit, laat hem ontdooien, reinig en droog hem en laat de deur op een kier staan om te vermijden dat schimmel in het apparaat kan groeien als de koelkast lange tijd niet zal worden gebruikt.

### BRANDGEVAAR/WAARSCHUWING VOOR ISOBUTAAN



Het koelcircuit van het apparaat bevat isobutaan (R600a). Dit is een natuurlijke gas met een hoog niveau van milieuvriendelijkheid dat echter brandbaar is.

Zorg er tijdens het transport en de installatie van het apparaat voor dat de onderdelen van het koelcircuit niet beschadigd raken.

Als het koelcircuit beschadigd raakt:

- vermijd open vuur en ontstekingsbronnen.
- ventileer grondig de kamer waarin het apparaat staat.



#### OPMERKING

Blijf de buurt van het gas als het apparaat beschadigd is of als u een gaslek waarneemt. Het kan brandwonden door koude veroorzaken als het in aanraking komt met de huid.



#### OPMERKING

Het gastype dat gebruikt wordt in dit product staat op het gegevenslabel dat is aangebracht op de binnenwand aan de linkerkant van de koelkast.



### OPGELET

- Beschadig gebieden waar koelmiddel circuleert niet met boor- of snijgereedschap. Als de gaskanalen in de verdamper, de verlengstukken van de slangen of de oppervlaktescoatings zijn doorboord, kan het koelmiddel naar buiten worden geblazen, wat huidirritatie en oogletsel kan veroorzaken. Gebruik geen puntige of scherpe werktuigen om rijp of ijslagen te verwijderen. De koelmiddelleidingen kunnen daardoor beschadigd raken. Lekkend koelmiddel kan oogletsel veroorzaken of ontbranden.
- Probeer brand/vlammen nooit te blussen met water, maar schakel het apparaat uit en dek de vlammen af, bijv. met een blusdeken.
- Zorg ervoor dat de ventilatieopeningen in de koelkast niet worden afgedekt of geblokkeerd door voorwerpen.

# BELANGRIJKE VEILIGHEIDS- EN MILIEU-INFORMATIE

## ZORG VOOR HET MILIEU



Dit apparaat voldoet aan de Europese RoHS-richtlijn 2012/19/EU.

Dit apparaat is gemarkeerd in overeenstemming met de Europese richtlijn 2012/19/EG inzake afgedankte elektrische en elektronische apparatuur (AEEA).

Deze richtlijn bevat de voorschriften voor de inzameling en recycling van afgedankte apparatuur in de gehele Europese Unie.



Het symbool van de doorgestreepte vuilnisbak op het product geeft aan dat Afgedankte Elektrische en Elektronische Apparatuur (AEEA) niet verwijderd mag worden met gewoon stedelijk afval, maar gescheiden moet worden ingezameld, zodat ze op speciale manier verwerkt kan worden met het oog op het hergebruik of de specifieke behandeling voor de veilige verwijdering en verwerking van eventuele stoffen die schadelijk zijn voor het milieu en voor het scheiden van grondstoffen die gerecycled kunnen worden.

Derhalve moet AEEA worden ingeleverd bij recyclingcentra die beheerd worden door gemeentelijke instanties of afvalverwerkingsbedrijven. Verder kan de AEEA bij de aankoop van een nieuw apparaat worden afgeleverd aan de detailhandelaar, die verplicht is om het gratis terug te nemen (terugname "1 tegen 1"). "Zeer kleine" AEEA (maximale afmeting 25 cm) kan gratis bij de detailhandelaars worden ingeleverd, ook als er geen nieuw apparaat wordt aangeschaft (terugname "0 tegen 1" - dit is echter alleen verplicht voor winkels met een verkoopoppervlak boven de 400 m<sup>2</sup>).

Besteed speciale aandacht aan de correcte afvalverwijderingsprocedures voor alle verpakkingsmaterialen. Voor de afvalverwijdering:

- Sluit de voedingsspanning af.
- Haal de stekker uit het stopcontact en snijd de voedingskabel af.
- Voorkom dat het koelcircuit tijdens de afvalverwijdering beschadigd raakt.



## WAARSCHUWING

Zorg ervoor dat oude en versleten apparaten onbruikbaar worden gemaakt voordat u ze afvoert. Dit doet u door de stekker eruit te halen, het netsnoer door te knippen en de clips of klikbouten te verwijderen of te vernietigen. Hiermee wordt voorkomen dat kinderen zich tijdens het spelen in het apparaat opsluiten (verstikkingsgevaar) of op een andere manier hun leven in gevaar brengen.

Het apparaat dat u hebt aangeschaft voldoet aan de RoHS-richtlijn van de EU (2011/65/EU). Het bevat geen materialen die in de richtlijn als schadelijk of verboden worden aangemerkt. Dit apparaat bevat geen schadelijke stoffen voor de ozonlaag, noch in het koelcircuit en net zomin in de isolatie.

In overeenstemming met de nationale milieuvoorschriften zijn onze apparaten verpakt met niet-vervuilende en recyclebare materialen:

- Verwijder de verpakking op een milieuvriendelijke wijze.
- Vraag uw dealer om de plaatselijke autoriteiten informatie over de momenteel geldende afvalverwijdering in te winnen.

Voor controles in verband met EcoDesign moeten de installatie en opstelling van het apparaat in overeenstemming zijn met de norm EN 62552.

- Ventilatie-eisen, afmetingen en minimumafstand tot de achterwand staan vermeld in de installatiehandleiding.
- Neem contact op met de fabrikant voor meer informatie.

## CONFORMITEIT

Door aanbrenging van het CE merkteken op dit product bevestigen we de naleving van alle relevante Europese veiligheids-, gezondheids- en milieueisen die wettelijk op dit product van toepassing zijn.

## ENERGIEBESPARING

Voor een optimale energiebesparing raden we het volgende aan:

- Installeer het apparaat uit de buurt van warmtebronnen, uit direct zonlicht en in een goed geventileerde ruimte.
- Vul de compartimenten niet te veel, omdat dit verhindert dat lucht goed circuleert.
- In het geval van een stroomstoring is het raadzaam de deur van de koelkast gesloten te houden.
- Open de deuren van het apparaat zo weinig en telkens zo kort mogelijk.
- Zorg ervoor dat het apparaat voldoende geventileerd is. Zorg ervoor dat ventilatieopeningen nooit zijn afgedekt.
- Bedek de rekken nooit met aluminiumfolie of ander materiaal dat de luchtcirculatie kan belemmeren.
- Als het apparaat langere tijd leeg blijft staan, is het raadzaam om de stekker uit het stopcontact te halen en, na grondige reiniging, de deur op een kier te laten staan, zodat er lucht in het apparaat kan circuleren. Op die manier voorkomt u condensatie, schimmel of onaangename geuren.

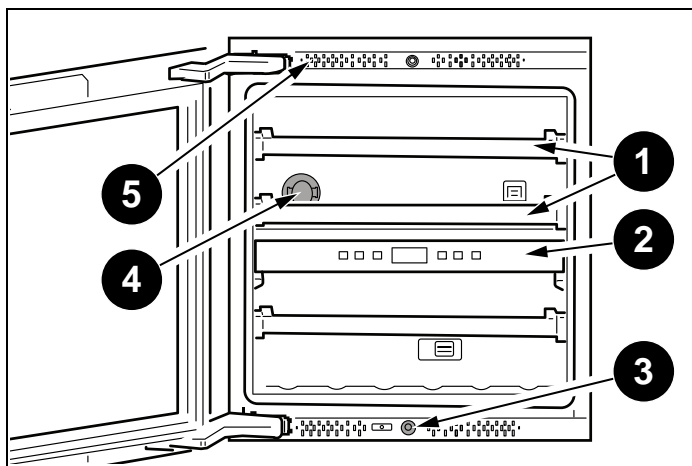
## HET APPARAAT VERPLAATSEN

Als u het apparaat op een andere plek wilt zetten, treft u de volgende voorzorgsmaatregelen:

- Haal alle producten uit het apparaat.
- Zet alle losse onderdelen (bijv. rekken) in het apparaat goed vast met tape.
- Draai de verstelbare poten op de basis met de klok mee totdat ze volledig omhoog staan, om te voorkomen dat u ze beschadigt.
- Gebruik tape om de deur gesloten te houden.
- Zorg dat het apparaat gedurende het transport altijd rechtop blijft staan.
- Bescherm het glas aan de buitenkant met een deken of dergelijke gedurende het transport.

# SPECIFICATIES

## BESCHRIJVING VAN HET APPARAAT



Afb. 1

- 1) Wijnrek
- 2) Bedieningspaneel en temperatuurzone-verdeler
- 3) Elektromagnetische drukknoop om te openen
- 4) Actief koolfilter
- 5) Ventilatie aan de voorkant

### OPMERKING



De afbeeldingen in deze gebruikershandleiding zijn schematisch en komen mogelijk niet exact overeen met het product. Als uw product de beschreven onderdelen niet heeft, is de informatie van toepassing op andere modellen.

Deze eenheid is uitgerust met 3 temperatuursensoren:

- 1 **NTC1** in de bovenste temperatuurzone
- 1 **NTC2** in de onderste temperatuurzone
- een externe temperatuursonde **NTC3**.

De eenheid beschikt ook over vier 12V ventilatoren, 1 invertercompressor en 2 verwarmingselementen.

- **Ventilator bovenste temperatuurzone:** FAN1
- **Ventilator middelste temperatuurzone:** FAN3
- **Ventilator onderste temperatuurzone:** FAN4
- **Compressorventilator:** FAN2

## TECHNISCHE SPECIFICATIES

ELEMENT	BESCHRIJVING
Type stekker	SCHUKO
Voltage	220 V – 240 V
Frequentie	50 Hz
Zekering	10 A
Stroomsterkte	0,6 A
Capaciteit	24 flessen van het type Bordeaux

Koelmiddel, volume en overige technische specificaties kunnen op het typeplaatje worden gevonden.

## KAMERTEMPERATUUR

De toegestane kamertemperatuur hangt af van de klimaatklasse:

KLIMAATKLASSE	TOEGESTANE KAMERTEMPERATUUR
SN (Subnormaal)	+ 10 °C tot + 32 °C
N (Normaal)	+ 16 °C tot + 32 °C
ST (Subtropisch)	+ 16 °C tot + 38 °C
T (Tropisch)	+ 16 °C tot + 43 °C

Informatie over de klimaatklasse kan op het typeplaatje worden gevonden.

De normale werking van de wijnkoeler kan worden beïnvloed in een omgeving boven of onder het optimale kamertemperatuurbereik. Wanneer de wijnkoeler bijvoorbeeld in een extreem koude of warme omgeving wordt gebruikt, zal de temperatuur in de kast schommelen en er soms niet in slagen om het ingestelde temperatuurbereik van 5-20°C te bereiken. In seizoenen met een hoge vochtigheidsgraad kan er wat condensatie aan de buitenkant van de wijnkoeler verschijnen, die verdwijnt wanneer de vochtigheidsgraad afneemt. Het wordt aanbevolen om het apparaat in een droge en geventileerde ruimte of ruimte met airconditioning te installeren.

# INSTALLATIE-INSTRUCTIES

## VOORBEREIDING VOOR DE INSTALLATIE

Dit apparaat mag niet worden geïnstalleerd in de buurt van warmtebronnen, zoals verwarmingselementen of fornuizen, of op een vochtige locatie.

Roep bij het installeren van dit apparaat de hulp in van een of twee andere personen. Dit apparaat kan scherpe randen hebben. Draag PBM die geschikt zijn voor de taak en het milieu.

- Gebruik de in hoogte verstelbare voetjes aan de voorkant van het apparaat om ervoor te zorgen dat het apparaat waterpas staat.
- Het koelsysteem aan de achterkant van het apparaat mag niet tegen de muur komen. Hoe meer ruimte, hoe beter.
- Het apparaat moet worden geïnstalleerd met voldoende ventilatie. Zorg ervoor dat er ruimte boven het apparaat is om lucht te laten ontsnappen en dat er ruimte is tussen de achterkant van het apparaat en de muur.
- Er mogen geen obstructies zijn rond de wijnkoeler of in de ingebouwde structuur, en de ventilatie moet behouden blijven.

Steek de stekker van het apparaat in een gemakkelijk toegankelijk stopcontact dat alleen hiervoor wordt gebruikt.

Voor vragen over de stroomvoorziening en/of de elektrische aansluiting kunt u contact opnemen met een gekwalificeerde elektricien of een erkend productservicecentrum.

## ELEKTRISCHE VEREISTEN

Het apparaat moet op alle elektrische aansluitingen worden aangesloten volgens de landelijke en plaatselijke voorschriften.



### OPGELET

Gebruik geen verlengsnoeren of tweepolige adapters en verwijder niet de aardingsklem van de aardingskabel.



### OPGELET

Een gekwalificeerde elektricien moet ervoor zorgen dat de polen van het stopcontact correct zijn aangesloten.

Controleer of de aarding van de contactdoos correct is.



### WAARSCHUWING

Sluit het apparaat niet aan op elektronische energiespaarstekkers.

Het stopcontact moet aan de volgende voorschriften voldoen:

### ELEKTRISCHE VEREISTEN

Type stekker	SCHUKO
Outlet	2-prong
Voltage	220 V – 240 V
Frequentie	50 Hz
Zekering	10 A

Wacht minstens 3 uur na de installatie voordat het apparaat op de stroomvoorziening wordt aangesloten om schade aan de compressor te vermijden.



### BELANGRIJK

Gebruik geen verlengsnoeren en/of meervoudige adapters voor de aansluiting op de stroomvoorziening.

Als de elektrische bedrading of de stroomvoorziening van de woning moet worden aangepast, moeten de noodzakelijke procedures worden uitgevoerd door een gekwalificeerde elektricien.

Neem de volgende regels in acht:

- Het stopcontact of paneel moet in geval van nood gemakkelijk bereikbaar zijn; het mag niet achter het product worden verborgen.
- De voedingsaansluiting moet gemakkelijk losgekoppeld kunnen worden nadat het apparaat geïnstalleerd is.

# INSTALLATIE-INSTRUCTIES

---

- Noch de stekker, noch de kabel mag de achterkant van het apparaat raken. Anders kan het apparaat beschadigd raken door trillingen van het apparaat.
- Om ongelukken te voorkomen, moet het snoer achter het apparaat worden vastgezet en mag het niet loshangen.
- Sluit geen andere stekkers aan achter dit apparaat. Als de vochtigheidsgraad hoog is wanneer het apparaat wordt gebruikt, kunnen de buitenoppervlakken corroderen. Houd de installatieruimte droog en goed schoon om corrosie te voorkomen.

Om het risico van elektrische schokken te voorkomen:

- Sluit de stekker aan op een geaard stopcontact.
- Verwijder de aardingspen van de stekker niet.
- Gebruik geen adapters.
- Gebruik geen verlengsnoeren.



## OPGELET

Sluit de aardingskabel niet aan op de gasleiding. Laat de aarding controleren door een gekwalificeerd elektricien als u niet zeker weet of het apparaat geaard is. Installeer geen zekering op de nulgeleider of op het aardingscircuit.



## OPGELET

Het niet opvolgen van deze instructies kan leiden tot brand, elektrische schokken of de dood. Als u de aardingsgeleider van het apparaat op de verkeerde plaats aansluit, kan dit leiden tot elektrische schokken. Laat de aarding controleren door een gekwalificeerde elektricien of onderhoudstechnicus als u twijfelt over de juiste aarding van het apparaat. Installatie, reparaties en andere procedures die worden uitgevoerd door niet-gekwalificeerde personen kunnen gevaren opleveren. Controleer voordat u het apparaat installeert of de parameters voor spanning, belasting en circuitstroom op de typeplaat overeenkomen met de stroomvoorziening in uw huis.

## VENTILATIE

De warmte uit de koelruimte moet worden afgevoerd naar de lucht rond het apparaat. Een onjuiste ventilatie kan leiden tot voortijdige uitval van de compressor, een overmatig energieverbruik en een totale systeemstoring, en kan de garantie die bij het apparaat wordt geleverd ongeldig maken.

Deze wijnkoeler heeft een luchttuitlaat aan de voorkant. Voor een goede ventilatie mogen er geen andere voorwerpen direct voor de wijnkoeler geplaatst worden.

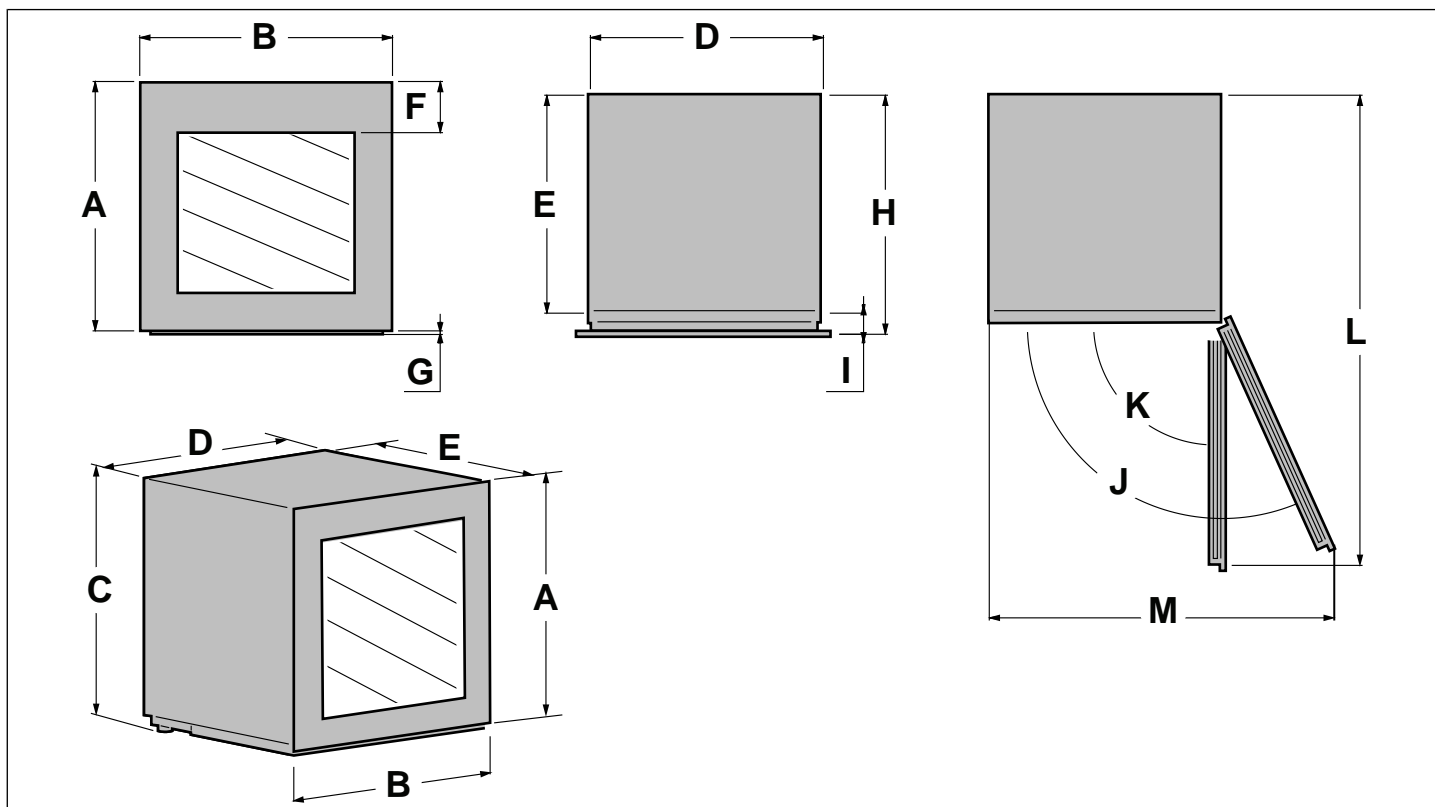


## OPMERKING

De ventilatieopening aan de voorzijde van het apparaat mag nooit worden afgedekt of op enigerlei wijze worden geblokkeerd.

# INSTALLATIE-INSTRUCTIES

## PRODUCTAFMETINGEN



Afb. 2

A. 585 mm

B. 593 mm

C. 583 mm — 593 mm

D. 552 mm

E. 565 mm

F. 120 mm

G. 8 mm

H. 566 mm

I. 48 mm

J. 115°

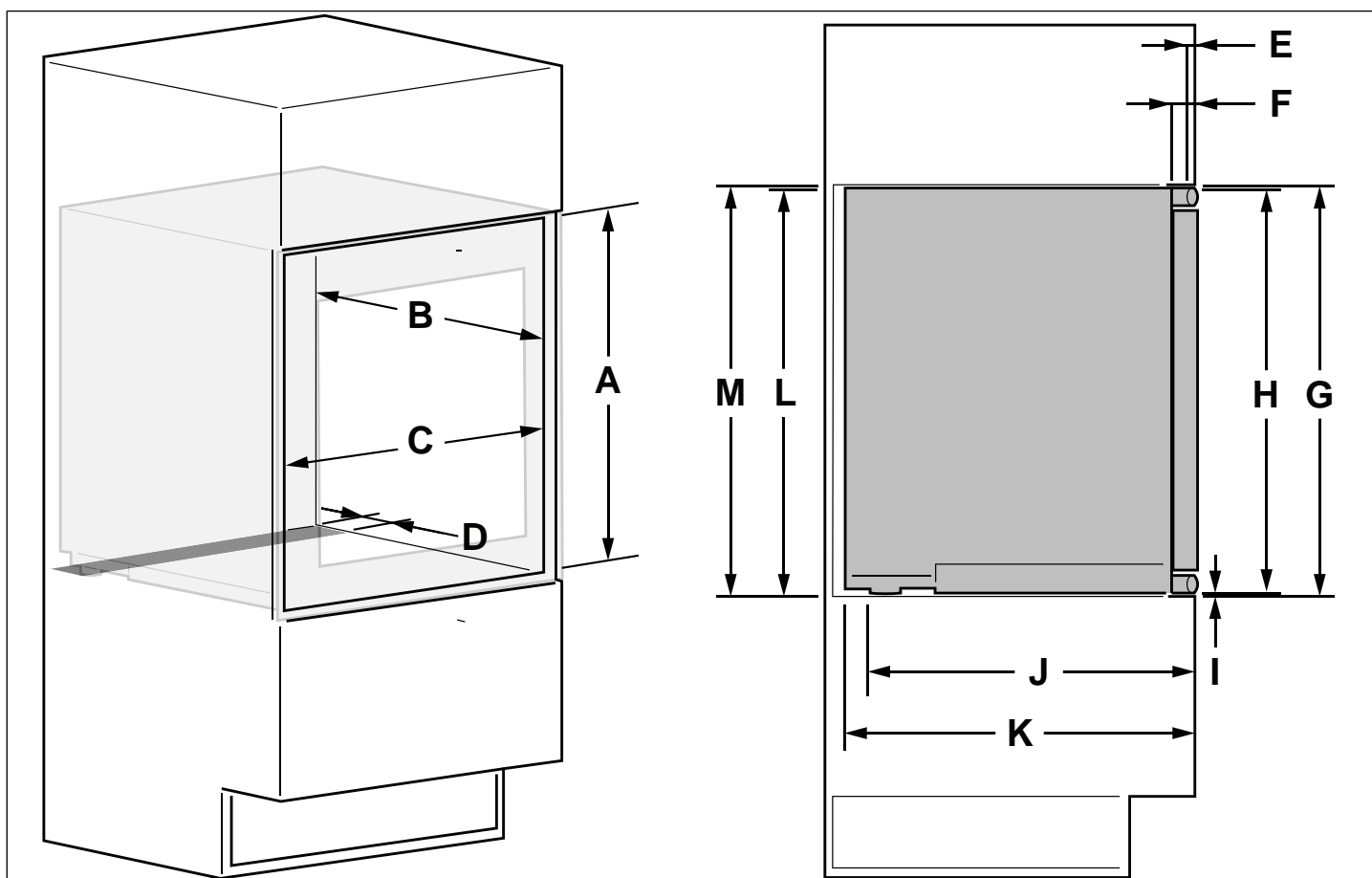
K. 90°

L. 1150 mm

M. 770 mm

# INSTALLATIE-INSTRUCTIES

## AFMETINGEN KAST



Afb. 3

**A.** 585 mm — 595 mm

**B.** Min. 560 mm

**C.** 560 mm — 590 mm

**D.** Max. 60 mm

**E.** Max. 25 mm

**F.** 48 mm

**G.** 593 mm

**H.** 585 mm

**I.** 8 mm

**J.** 506 mm

**K.** 565 mm

**L.** Min. 583 mm

**M.** Min. 585 mm

# INSTALLATIE-INSTRUCTIES

## INSTALLATIE-INSTRUCTIES

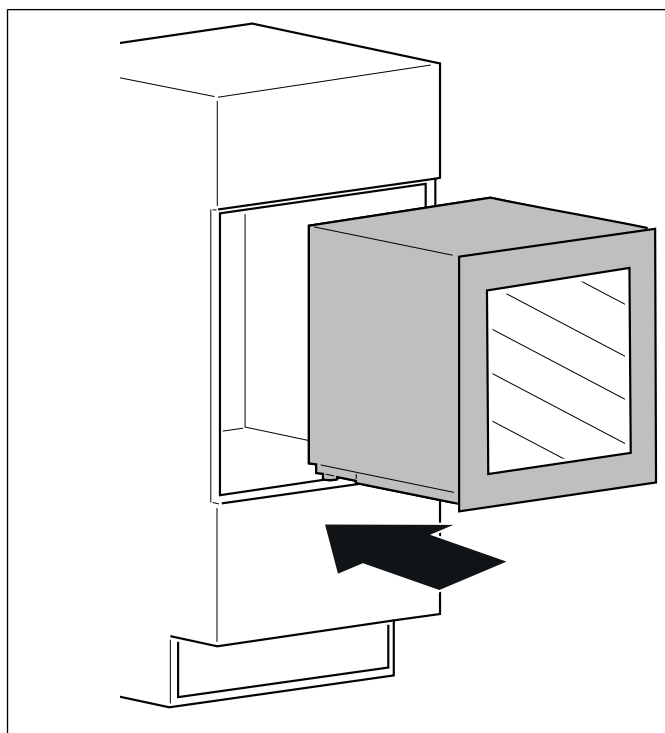


### OPMERKING

De stekker van het apparaat moet in het stopcontact zitten voordat u het apparaat installeert.

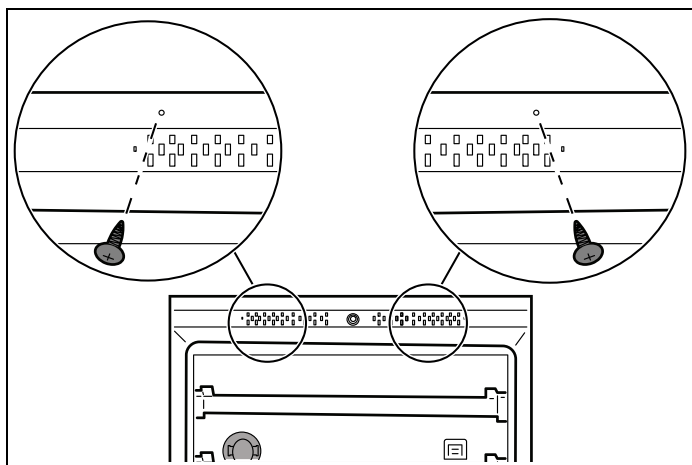
- 1) Schuif het apparaat in de houten kast met de scharnieren tegen de kast.

Zorg ervoor dat de glazen wijnkoelerdeur gelijk loopt met de deuren van de aangrenzende meubels.



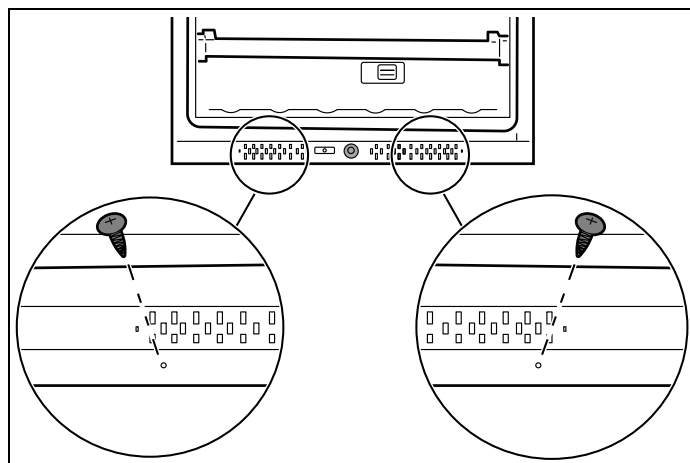
Afb. 4

- 2) Bevestig de wijnkoeler aan de bovenkant van de kastnis met twee schroeven op de bovenste metalen plaat.



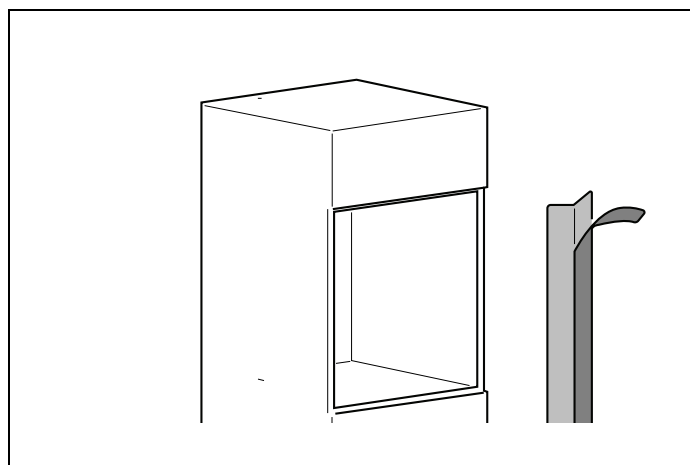
Afb. 5

- 3) Bevestig de wijnkoeler aan de onderkant van de kastnis met twee schroeven op de onderste metalen plaat.



Afb. 6

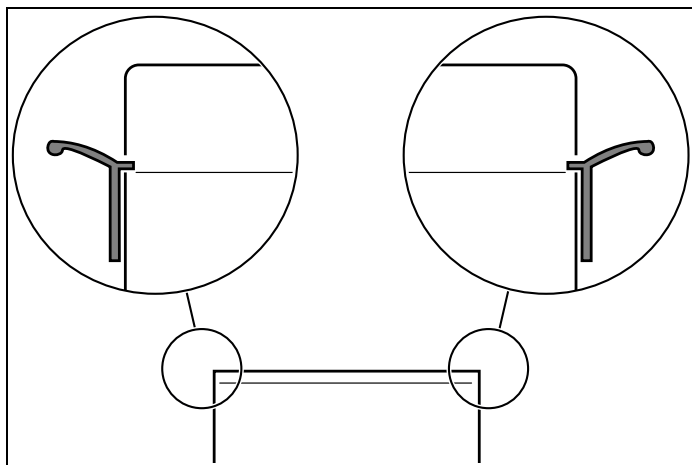
- 4) Haal de 3M zelfklevende strook van de afdichtstrip uit het zakje met accessoires en knip hem indien nodig op de perfecte hoogte voor de kastnis.



Afb. 7

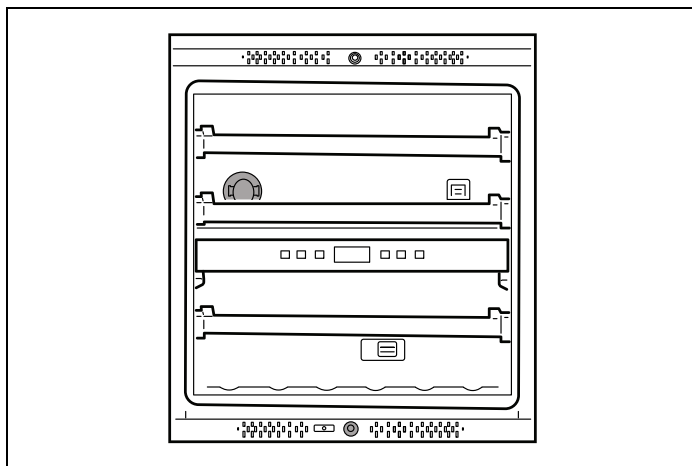
# INSTALLATIE-INSTRUCTIES

- 5) Druk de afdichtstrip in de opening tussen de binnenkant van de kast en de zijkanten van het apparaat. De strip heeft een puur esthetische functie. Als deze niet is geïnstalleerd, heeft dit geen invloed op de functionaliteit van het apparaat.



Afb. 8

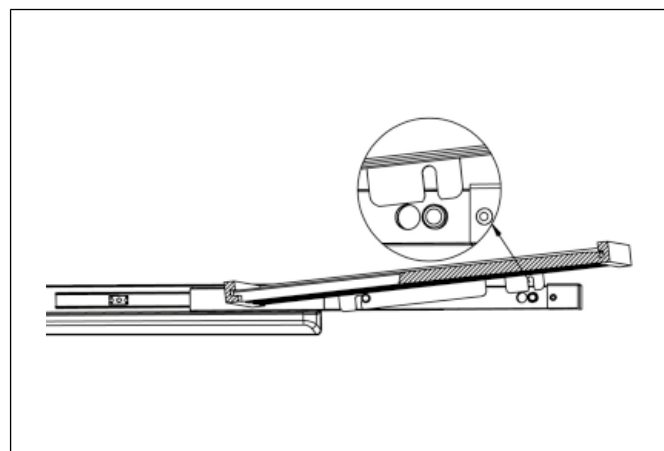
- 6) De installatie is voltooid.



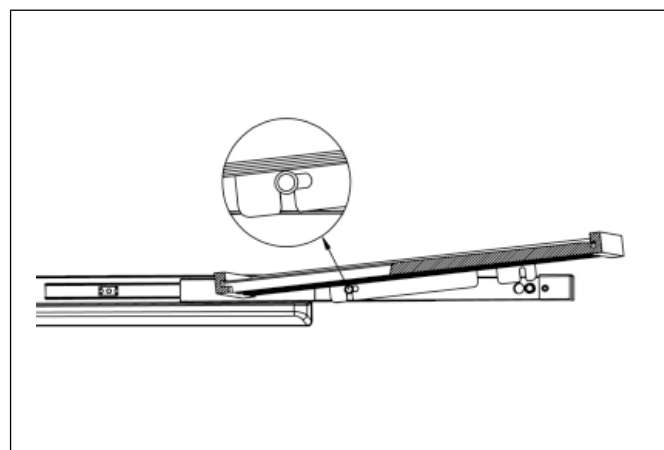
Afb. 9

## DE REKKEN VERWIJDEREN

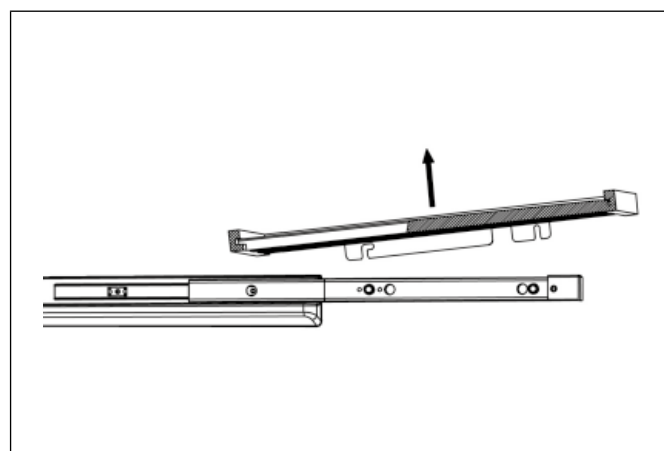
- 1) Trek het wijnrek aan de voorzijde uit de telescopische geleiders.



- 2) Trek het wijnrek naar voren. De bevestiging van de telescopische geleiders is aan de achterzijde vergrendeld in de positie die op de afbeelding is afgebeeld.



- 3) Trek het rek omhoog om het te verwijderen.



# GEBRUIK

---

## VOOR HET EERSTE GEBRUIK

**Verwijder alle buiten- en binnenverpakkingen. Laat het apparaat minimaal 24 uur rechtop staan voordat u de stroom inschakelt.**

Hiermee wordt de kans op storingen in het koelsysteem als gevolg van de hantering tijdens het transport verkleind.

- Maak de binnenkant van de koelkast schoon zoals aanbevolen in de paragraaf *REINIGING EN VERZORGING*. Zorg ervoor dat de binnenkant droog is voordat u het apparaat inschakelt.
- Steek de stekker van het apparaat in een geaard stopcontact. De binnenverlichting gaat branden wanneer de deur wordt geopend.
- Laat de wijnkoeler 6 uur werken voordat u er flessen in plaatst en open de deur niet als dit niet nodig is.



### OPMERKING

U hoort een geluid wanneer de compressor start. De vloeistoffen en gassen die in het afgedichte koelsysteem zitten, kunnen ook geluid veroorzaken, zelfs als de compressor niet draait. Dat is heel normaal.



### OPMERKING

De randen aan de voorkant van het apparaat kunnen warm aanvoelen. Dit is normaal. Deze gebieden zijn zo ontworpen dat ze warm zijn om condensatie te voorkomen.

Tijdens de werking kunt de volgende normale geluiden horen:

- Gezoem: De koelkast werkt. De ventilator van het luchtcirculatiesysteem is in werking.
- Pruttelende, zoemende, borrelende geluiden: koelmiddel stroomt door de leidingen.
- Klikkend geluid: motor schakelt in of uit.

De deur van dit apparaat kan alleen vanaf de linkerkant worden geopend.

Als u een beschadigd product hebt ontvangen, dient u onmiddellijk contact op te nemen met de dealer of distributeur waar u het product hebt gekocht.

U dient deze instructies voor de installatie, het gebruik en het onderhoud van het apparaat zorgvuldig door te lezen en op te volgen.

Lees het gedeelte over probleemoplossing in deze handleiding voor informatie over hoe u de meest voorkomende problemen kunt diagnosticeren en oplossen.

# GEBRUIK

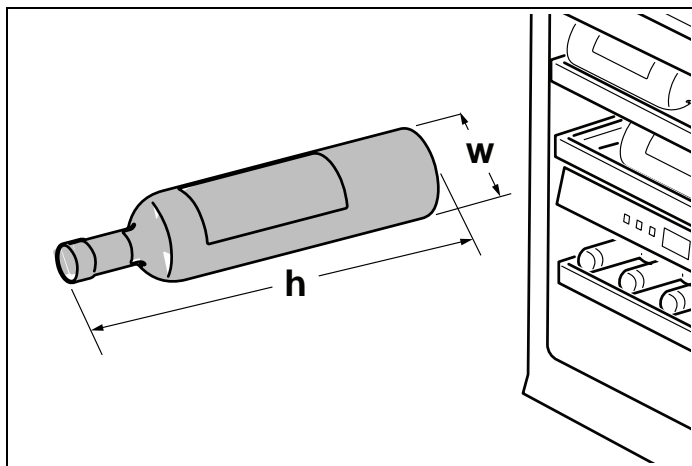
## INTERNE OPBERGRUIMTE

Deze wijnkoeler heeft 2 onafhankelijke temperatuurzones, de bovenste zone instelbaar van 5°C tot 12°C, en de onderste zone instelbaar van 12°C tot 20°C.

De afbeeldingen in dit gedeelte tonen een laadpatroon waarbij standaard flessen van het type Bordeaux worden gebruikt. Er passen verschillende soorten flessen in de wijnkoeler. Magnum flessen kunnen worden opgeslagen in het onderste rek van de bovenste zone door het bovenste rek te verwijderen.

De houten schappen kunnen worden verwijderd om de opslagcapaciteit te vergroten, maar maken het apparaat minder praktisch voor dagelijks gebruik. Voor het verwijderen van een schap, zie paragraaf **DE REKKEN VERWIJDEREN**.

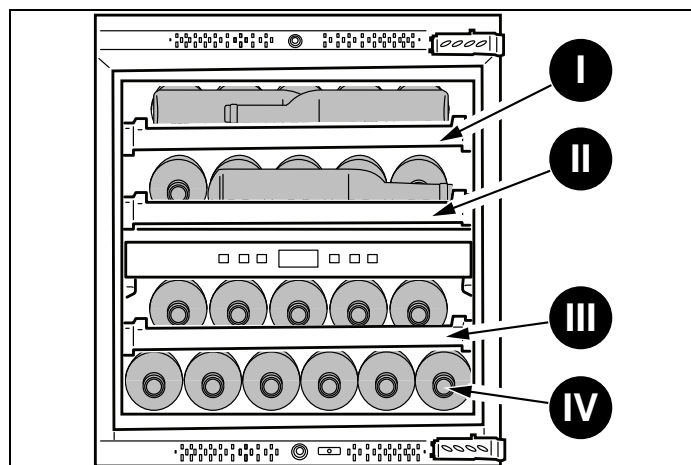
De meest energiebesparende configuratie vereist dat de rekken in het apparaat worden geïnstalleerd.



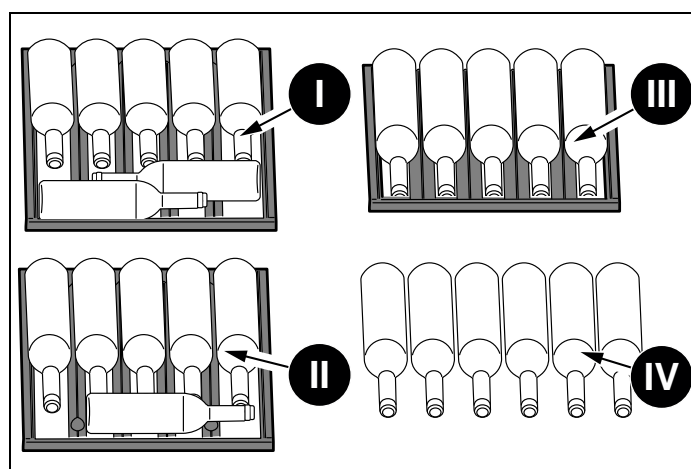
Afb. 10

• b. 76 mm

• h. 300 mm



Afb. 11



Afb. 12

CAPACITEIT		AANTAL FLESSEN (FLES 1- TYPE BORDEAUX)	
Bovenste zone	bovenste rek (I)		7
	onderste rek (II)		6
Onderste zone	bovenste rek (III)		5
	onderste rek (IV)		6
<b>Totaal</b>			<b>24</b>

## GEBRUIK

### AANBEVELINGEN VOOR HET BEWAREN EN SERVEREN VAN WIJN

Om de organoleptische kwaliteiten van elke wijn optimaal te kunnen appreciëren, is het noodzakelijk dat de wijn bij bepaalde temperaturen wordt bewaard en geconsumeerd.

In de onderstaande tabel vindt u de meest geschikte bewaartemperatuur voor elk type wijn. Vooral bij kostbare flessen is het raadzaam om de door de producent verstrekte instructies nauwkeurig op te volgen.

TYPE WIJN	BEWAARTEMPERATUUR (°C)
Jonge en lichte witte wijnen	10 - 12
Rijpe en gestructureerde witte wijnen	12 - 14
Aromatische witte wijnen	8 - 10
Jonge en lichte roséwijnen	10 - 12
Rijpe, volle roséwijnen	12 - 14
Jonge rode wijnen	10 - 14
Jonge, iets tanninerijke en lichtrode wijnen	14 - 16
Rijpe, tanninerijke en volle rode wijnen	16 - 18
Zeer rijpe, tanninerijke en volle rode wijnen	16 - 18
Zoete en aromatische mousserende wijnen	8 - 10
Zoete en aromatische rode mousserende wijnen	10 - 12
Mousserende wijnen volgens de Charmat-methode	8 - 10
Mousserende wijnen volgens de Long Charmat-methode	10 - 12
Mousserende wijnen volgens de klassieke methode	8 - 10
Mousserende wijnen volgens de klassieke "Millesimato"-methode	10 - 12
Droge en halfdroge mousserende wijnen	8 - 10
Half-mousserende wijnen	10 - 12
Zoete mousserende wijnen van het type 'Superieur'	10 - 12
Versterkte wijnen, dessert- of strowijnen	10 - 18

## GEBRUIK

---

TYPE WIJN	BEWAARTEMPERATUUR (°F)
Jonge en lichte witte wijnen	50 - 54
Rijpe en gestructureerde witte wijnen	54-57
Aromatische witte wijnen	46-50
Jonge en lichte roséwijnen	50-54
Rijpe, volle roséwijnen	54-57
Jonge rode wijnen	50 - 57
Jonge, iets tanninerijke en lichtrode wijnen	57-61
Rijpe, tanninerijke en volle rode wijnen	16 - 18
Zeer rijpe, tanninerijke en volle rode wijnen	61-64
Zoete en aromatische mousserende wijnen	46-50
Zoete en aromatische rode mousserende wijnen	50-54
Mousserende wijnen volgens de Charmat-methode	46-50
Mousserende wijnen volgens de Long Charmat-methode	50-54
Mousserende wijnen volgens de klassieke methode	46-50
Mousserende wijnen volgens de klassieke "Millesimato"-methode	50-54
Droge en halfdroge mousserende wijnen	46-50
Half-mousserende wijnen	50 - 54
Zoete mousserende wijnen van het type 'Superieur'	50 - 54
Versterkte wijnen, dessert- of stowijnen	50 - 64

# GEBRUIK

---

## Witte wijnen

Witte wijnen worden normaal gesproken niet op een hoge temperatuur geserveerd, omdat ze over het algemeen zuurder zijn dan rode wijnen en niet veel tannine bevatten. Daarom zijn ze lekkerder bij een lage temperatuur.

Deze wijnen moeten bij voorkeur worden bewaard en geserveerd op een temperatuur tussen 10 °C en 14 °C (50 °F en 57 °F). Jonge, frisse en aromatische wijnen kunnen ook worden geserveerd op een temperatuur van 10 °C (50 °F), terwijl voor minder aromatische wijnen een temperatuur van 12 °C (54 °F) wordt aangeraden. Temperaturen tussen 12 °C en 14 °C (54 °F en 57 °F) zijn geschikt voor zachte, rijpe witte wijnen die een paar jaar op fles hebben gerijpt. Hogere temperaturen zouden het zoete karakter van de wijn versterken, ten koste van de zuurgraad en de smaak, die juist als aangename en gewenste kenmerken voor dit soort wijn worden beschouwd.

## Roséwijnen

Roséwijnen worden gewoonlijk op dezelfde temperatuur geserveerd als witte wijnen. Houd er echter rekening mee dat deze wijnen een bepaalde hoeveelheid tannine kunnen bevatten. Daarom kan het wenselijk zijn om ze op een hogere temperatuur te proeven, zodat ze niet te wrang worden. Daarom worden ze op een temperatuur tussen 10 en 12 °C (50 en 54 °F) geserveerd als ze jong en fris zijn en op een temperatuur tussen 12 en 14 °C (54 en 57 °F) als ze steviger en rijper zijn.

## Rode wijnen

Rode wijnen bevatten meer tannine en zijn minder zuur. Daarom worden ze meestal op een hogere temperatuur geserveerd.

Jongere en minder tanninerijke wijnen worden meestal geserveerd op een temperatuur tussen 14 en 16 °C (57 en 61 °F), terwijl vollere en meer tanninerijke wijnen kunnen worden geserveerd op een temperatuur van 16 °C (64 °F) en in uitzonderlijke gevallen zelfs een temperatuur van 18 °C (64 °F). Sommige wijnen die jarenlang op fles hebben gerijpt, en nog steeds vol en tanninerijk zijn, kunnen op 18 °C (64 °F) of zelfs op 20 °C (68 °F) worden geserveerd. Jonge rode wijnen met weinig tannine en minder structuur kunnen bij lagere temperaturen worden gedronken, tussen 12 en 14 °C (54 en 57 °F).

## Mousserende wijnen volgens de klassieke of Charmat-methode

Gezien de grote verscheidenheid aan mousserende wijnen op de markt is het lastig om voor iedereen een geldige aanbeveling te doen.

Over het algemeen geldt dat zoetere en meer aromatische mousserende wijnen op lagere temperaturen geserveerd moeten worden, tot 8 °C (46 °F), dit in verband met hun aromatische karakter. Meer tanninerijke mousserende wijnen kunnen op hogere temperaturen, tot 14 °C (57 °F), worden geserveerd.

Droge mousserende wijnen volgens de Charmat- of Martinotti-methode, zoals sommige Prosecco's, moeten over het algemeen tussen 8 en 10 °C (46 en 50 °F) worden geserveerd. Mousserende wijnen volgens de klassieke methode en de 'méthode Champenoise' zoals Champagne worden normaal gesproken ook op deze temperaturen geserveerd maar voor mousserende wijnen die al enige tijd gerijpt zijn, zoals Millesimati, kan men tot 12 °C (54 °F) gaan om de ontwikkeling van complexe aroma's te bevorderen.

Het is echter raadzaam, vooral bij de beste wijnen, om de op de fles vermelde aanbevelingen van de producent op te volgen.

## Mousserende wijnen

Voor half-mousserende wijnen gelden dezelfde temperatuuraanwijzingen als voor mousserende wijnen volgens de klassieke of Charmat-methode. Deze wijnen worden over het algemeen geserveerd op een temperatuur tussen 10 en 12 °C (50 en 54 °F). Voor droge en halfdroge mousserende wijnen wordt een iets lagere serveertemperatuur, tussen 8 en 10 °C (46 en 50 °F) aanbevolen.

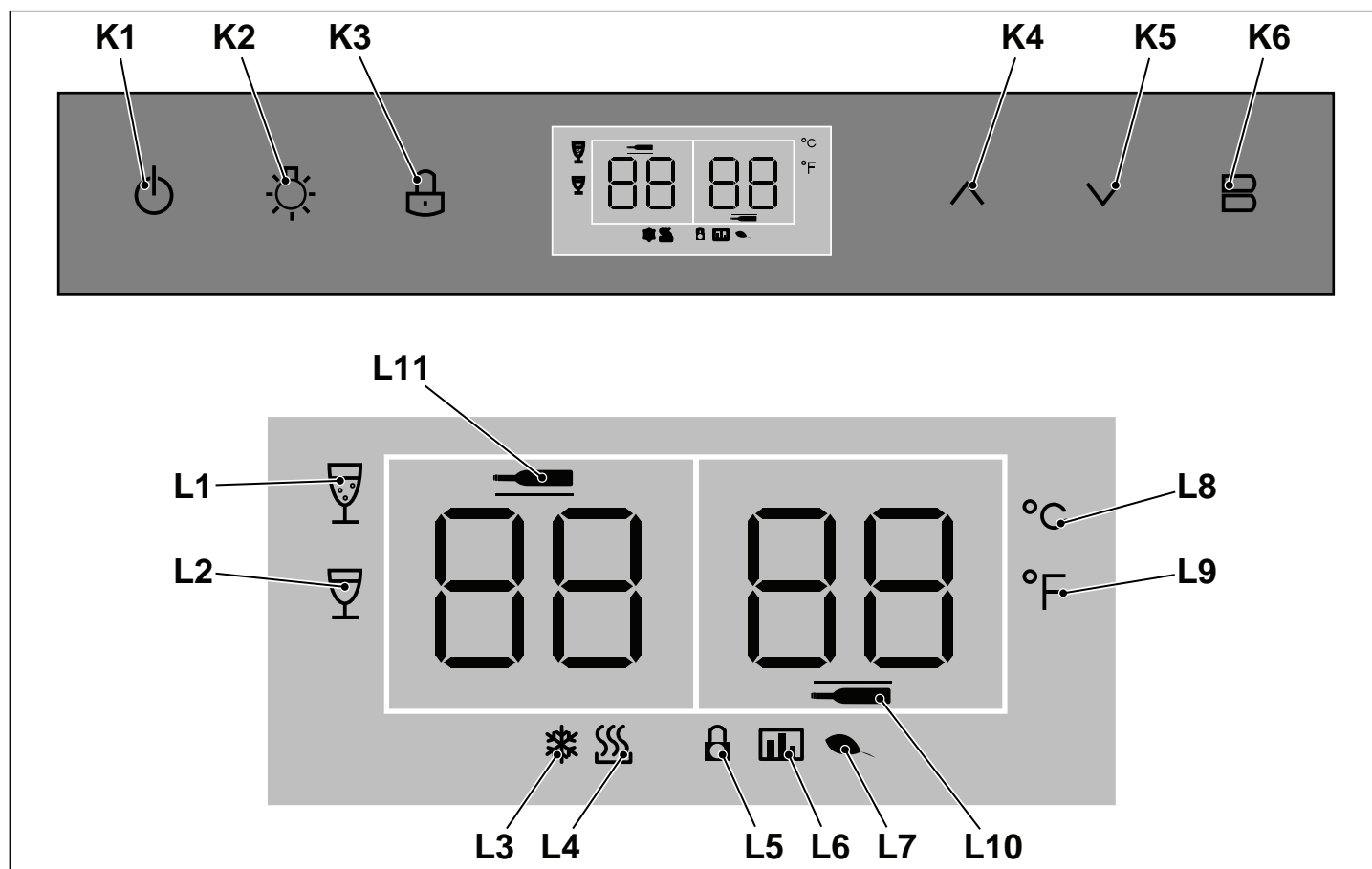
### **Versterkte wijnen, dessert- of strowijnen**

Dit type kan worden geserveerd op temperaturen tussen 14 en 18 °C (61 en 64 °F) afhankelijk van de persoonlijke smaak. Om de zoete smaak en het hoge alcoholgehalte te verzachten, kan dit type wijn ook worden geserveerd op 10 °C (50 °F).

Droge likeurwijnen, zoals bijvoorbeeld Marsala, bevatten zoveel suiker dat je ze niet in de mond proeft. Voor deze wijnen moet de serveertemperatuur worden ingesteld op basis van wat u wilt benadrukken. Als u de zoetheid van de wijn, de complexiteit van het bouquet en de soberheid ervan wilt accentueren, kunt u deze het beste op een hoge temperatuur serveren, tussen 14 °C en 18 °C (61 en 64 °F), waarbij u er rekening mee moet houden dat dit ook de alcoholcomponent zal versterken. Als u de frisheid ervan wilt benadrukken, moet de wijn op lagere temperaturen, tussen de 10 °C en 14 °C (50 en 61 °F), worden geserveerd. Droge, frisse, jonge likeurwijnen kunnen ook op een koelere temperatuur van minder dan 10 °C (50 °F) worden geserveerd om de perceptie van alcohol aanzienlijk te verminderen. Hoe lager de serveertemperatuur, hoe lager de perceptie van aroma's. De aangename en complexe aroma's die kenmerkend zijn voor deze wijnen, vormen een welkome en interessante eigenschap: als u ze te koud serveert, gaat dit belangrijke aspect verloren.

# GEBRUIK

## BEDIENINGSPANEEL



Afb. 13

- **[K1]** Aan/uit-knop
- **[K2]** Lichtknop
- **[K3]** Knop kinderslot
- **[K4]** Knop voor temperatuurverhoging
- **[K5]** Knop voor temperatuurverlaging
- **[K6]** Knop voor selecteren temperatuurzone
- **[L1]** Pictogram modus voor mousserende wijn
- **[L2]** Pictogram modus voor witte wijn
- **[L3]** Pictogram koeling
- **[L4]** Pictogram verwarming
- **[L5]** Pictogram kinderslot
- **[L6]** Pictogram showroom-modus
- **[L7]** Pictogram energiebesparende modus
- **[L8]** Pictogram Celsius
- **[L9]** Pictogram Fahrenheit
- **[L10]** Pictogram onderste temperatuurzone
- **[L11]** Pictogram bovenste temperatuurzone

# GEBRUIK

## AAN/UIT-KNOP

Dient om het hele apparaat in of uit te schakelen. Druk **[K1]** 3 seconden in om het apparaat aan/uit te zetten. Wanneer het apparaat wordt uitgeschakeld, wordt de verbinding met alle externe stroombronnen verbroken en schakelt het over naar de stand-bymodus. In uitgeschakelde toestand knippert knop **[K1]** om de 2 seconden als de deur open is.

## KINDERSLOT ACTIVEREN/DEACTIVEREN

Het kinderslot voorkomt dat kinderen de instellingen van het apparaat veranderen. Druk 3 seconden op de knop **[K3]** om het bedieningspaneel te vergrendelen/ontgrendelen.

Als het kinderslot is ingeschakeld, licht het pictogram van het slot op het digitale scherm op en klinkt er een geluidssignaal om aan te geven dat het display vergrendeld is. Deactiveer het kinderslot om instellingen te veranderen.



### OPMERKING

Telkens wanneer de stroom wordt hersteld, zal het systeem automatisch teruggaan naar de ontgrendelde toestand.

## KNOPPEN VOOR TEMPERATUURREGELING

Om de temperatuur van de wijnkoeler te wijzigen, selecteert u eerst de bovenste of onderste zone met knop **[K6]**; de respectievelijke pictogrammen **[L11]** of **[L10]** van de geselecteerde zone beginnen te knippen op het display. Druk op de knop **[K4]** om de temperatuurwaarde bij elke druk op de knop met 1 graad te verhogen. Druk op de knop **[K5]** om de temperatuurwaarde bij elke druk op de knop met 1 graad te verlagen. De temperatuur kan worden ingesteld van 5°C (41°F) tot 12°C (54°F) in de bovenste zone en van 12°C (54°F) tot 20°C (68°F) in de onderste zone, waardoor de bovenste zone ideaal is voor witte wijnen en de onderste voor rode wijnen. De temperaturen zijn ingesteld als de temperaturen na 5 seconden stoppen met knippen en de koeler een geluidssignaal geeft.



### OPMERKING

Als u de temperatuur van de zones wijzigt, tonen de displays onmiddellijk de geselecteerde temperaturen van de zones. De werkelijke temperaturen in de zones zullen geleidelijk veranderen totdat de gewenste ingestelde temperaturen bereikt zijn. Het apparaat heeft enige tijd nodig om de nieuwe ingestelde temperatuur te bereiken. Dit is normaal.



### OPMERKING

Als de compressor draait om te koelen, verschijnt er een sneeuwvlokpictogram op het display en knippen een of beide pictogrammen **[L11]** of **[L10]** die de twee temperatuurzones vertegenwoordigen, om aan te geven dat die zone of zones aan het afkoelen zijn.

De bovenste temperatuurzone biedt twee manieren om wijn op verschillende temperatuurbereiken te bewaren, zoals weergegeven in de onderstaande tabel.

TEMPERATUURZONE	WIJNTYPE	STANDAARD TEMPERATUURINSTELLING	TEMPERATUURBEREIK°C	TEMPERATUURBEREIK °F
Bovenste zone	Modus voor mousserende wijn (pictogram L1)	5	5-8	41-47
Bovenste zone	Modus voor witte wijn (pictogram L2)	9	9-12	48-54
Onderste zone	Modus voor rode wijn	12	12-20	54-68

# GEBRUIK

---

## ENTERTAINMENT-MODUS

Het in- en uitschakelen van de LED-lichten is afhankelijk van het openen/sluiten van de deur. Wanneer de deur wordt geopend, worden de lichten automatisch ingeschakeld. Wanneer de deur wordt gesloten, worden de lichten uitgeschakeld om energie te besparen.

Druk op de toets **[K2]** om de entertainment-modus te activeren en het licht constant aan te laten, ook als de deur gesloten is. Elke keer dat de knop wordt ingedrukt, klinkt er een pieptoon.



### OPMERKING

Als de koeler wordt uitgeschakeld terwijl de entertainment-modus actief is, blijft de entertainment-modus ingeschakeld als de koeler weer wordt ingeschakeld.

## SELECTIE CELSIUS EN FAHRENHEIT

Om te schakelen tussen Celsius en Fahrenheit, drukt u tegelijkertijd 3 seconden op de knoppen **[K4]** + **[K5]** terwijl de wijnkoeler in vergrendelde toestand is. Na een "pieptoon" verandert de temperatuurweergave van °C in °F. Celsius is de standaardinstelling.

## SHOWROOM-MODUS

Druk in ontgrendelde toestand tegelijkertijd gedurende 5 seconden op de knoppen **[K2]** + **[K6]** om de functie in te schakelen.

Deze modus wordt gebruikt wanneer de koelkast is tentoongesteld in een winkel of wanneer u de koeling wilt uitschakelen en alle andere functies, met uitzondering van de binnenverlichting, wilt deactiveren. Als dit is ingeschakeld, verschijnt het showroom-pictogram **[L6]** op het display (afhankelijk van het model). Druk **[K2]** + **[K6]** tegelijkertijd in om de showroom-modus op elk gewenst moment uit te schakelen.



### OPMERKING

Bewaar geen producten in het apparaat in de showroom-modus, het apparaat blijft namelijk op kamertemperatuur. Als de koeler wordt uitgeschakeld terwijl de showroom-modus actief is, blijft de showroom-modus ingeschakeld als de koeler weer wordt ingeschakeld.

## SABBAT-MODUS

Druk de knoppen **[K5]** en **[K6]** tegelijkertijd 3 seconden in om de functie in/uit te schakelen. Wanneer de functie voor de Sabbat-modus is ingeschakeld, worden alle lampjes, zoemers en digitale displays uitgeschakeld. De compressor en ventilator blijven wel gewoon werken. De modus wordt automatisch gedeactiveerd na 36 uur gebruik. Als het apparaat wordt uitgeschakeld, blijft de status niet behouden. Druk de knoppen **[K5]** en **[K6]** tegelijkertijd 3 seconden in om de Sabbat-modus op ieder moment uit te schakelen. In de Sabbat-modus lichten bij het aanraken van een willekeurige knop het display en de lampjes van de knoppen op, om na 5 seconden weer uit te gaan.

## ENERGIEBESPARENDE MODUS

In de vergrendelde toestand (met verlichte toetsen en display) raakt u de toets **[K2]** gedurende 3 seconden aan. Na een pieptoon licht het energiebesparingspictogram **[L7]** op, gaat het lampje van de knop uit en blijft alleen het digitale display verlicht. Als alle knoppen uit staan, wordt bij kort aanraken van een willekeurige toets het lampje van de knop gedurende 5 seconden ingeschakeld om vervolgens weer uit te gaan.

Als u **[K2]** opnieuw 3 seconden lang aanraakt, wordt het digitale display uitgeschakeld. In de volledig uitgeschakelde toestand wordt bij elke aanraking van een knop zowel het lampje van de knop als het display gedurende 5 seconden geactiveerd. Als u **[K2]** een derde keer gedurende 3 seconden aanraakt, wordt de altijd-aan-status hersteld en het energiebesparingspictogram uitgeschakeld.

## ALARM OPEN DEUR

Als de deur van de wijnkoeler langer dan 3 minuten open blijft staan, gaan de lampjes knipperen, klinkt er een geluidsalarm en stopt de compressor met werken. Druk op een willekeurige toets behalve de aan/uit-knop om het geluid te stoppen en de weergavefuncties te herstellen; hierdoor wordt de timer gereset. Sluit de deur om te voorkomen dat de temperatuur te hoog oploopt.

## VERZORGING EN ONDERHOUD



### WAARSCHUWING

Haal altijd de stekker uit het stopcontact voordat u het apparaat gaat schoonmaken of onderhouden.

### INSTRUCTIES VOOR HET VERVANGEN VAN LED-LAMPEN

Voor een optimale binnenverlichting worden de apparaten van bovenaf verlicht met LED-strips en worden verschillende gedeelten direct verlicht met LED-lichten.

Bij storing en/of slijtage van het verlichtingssysteem moet de reparatie uitgevoerd worden door een gekwalificeerde servicetechnicus.

### REINIGING VAN DE BINNENKANT

Om de binnenkant van de wijnkoeler schoon te maken, opent u de deur en verwijdert u de rekken. Veeg de binnenkant van het apparaat schoon met een schone doek en een mild schoonmaakmiddel, of met een zachte spons en een oplossing van natriumbicarbonaat en lauw water. Gebruik geen schurende producten of reinigingsmiddelen. Spoel na het wassen grondig af en maak goed droog.

Maak de houten schappen schoon met een zachte, iets vochtige doek. Gebruik geen zeep, schoonmaakmiddelen en/of sponzen die zowel houten als stalen oppervlakken kunnen beschadigen. Maak de rekken zorgvuldig droog voordat u ze terugplaatst in de wijnkoeler.



### WAARSCHUWING

Gebruik geen azijn, reinigingsalcohol of reinigingsmiddel op alcoholbasis op de oppervlakken van de binnenkant.

Als het apparaat langere tijd niet zal worden gebruikt, haal dan de stekker uit het stopcontact en maak het apparaat schoon. De deuren moeten een beetje open blijven om schimmelvorming en onaangename geuren te voorkomen.

### ONTDOOIEN

De wijnkoeler is ontworpen met een automatisch ontdooisysteem. Bij koudere instellingen kan er echter wat ijs ontstaan. Bovendien geldt: hoe vochtiger de omgevingsomstandigheden, hoe meer ijs er kan ontstaan. Houd de deur zoveel mogelijk gesloten en vermijd het onnodig openen van de deur om de vorming van ijs te minimaliseren.

Als de deur door ijsvorming niet goed sluit, moet u het apparaat mogelijk uitschakelen totdat het ijs is gesmolten (mogelijk tot 24 uur). Gebruik een zachte absorberende doek om het apparaat te drogen.



### WAARSCHUWING

Zorg dat u de koelleidingen niet beschadigt.

### GELUIDEN EN BETEKENIS

Deze wijnkoeler kan tijdens het gebruik enige normale geluiden produceren.

Harde oppervlakken, zoals de vloer of de muren, kunnen ervoor zorgen dat geluiden luider lijken dan ze in werkelijkheid zijn.

In onderstaande lijst vindt u de meest voorkomende geluiden en hun oorzaken:

- ratelen: veroorzaakt door stromend koelmiddel of door voorwerpen die op het apparaat zijn geplaatst.
- harde of hoge geluiden: de hoogefficiënte compressor kan bij normaal gebruik geluiden produceren.
- spatgeluid: veroorzaakt door water dat van de verdampers naar de waterbak stroomt.
- gorgelend geluid: koelmiddel dat het apparaat in stroomt.
- luchtgeluid: het is te horen dat er lucht door de condensorventilator over de condensor wordt geblazen.

### STROOMSTORING

De meeste stroomstoringen zijn binnen een paar uur opgelost en hebben geen invloed op de temperatuur van het apparaat, zolang u de deur zo min mogelijk opent. Als de stroomstoring langer duurt, moeten er passende maatregelen worden genomen om de inhoud van het apparaat te beschermen.

## PROBLEMEN OPLOSSEN

---

Als u problemen hebt met uw apparaat, controleert u dit gedeelte voor probleemoplossing voordat u contact opneemt met de klantenservice.

### Als het apparaat niet werkt, controleer dan of:

- Het apparaat stroom krijgt.
- De zekeringen in de woning intact zijn en de zekering in de stekker niet is doorgebrand.
- Controleer of de koelkast niet uitgeschakeld is.
- Het stopcontact naar behoren werkt. Om dit te controleren, sluit u een ander elektrisch apparaat aan om te zien of het stopcontact defect is.

### Als het apparaat wel werkt, maar niet erg goed, controleer dan of:

- Het apparaat niet overbelast is.
- De kamertemperatuur is niet hoger dan de optimale bedrijfstemperatuur van de wijnkoeler.
- De thermostaat is ingesteld op een geschikte temperatuur.
- De deuren goed sluiten.
- Het koelsysteem aan de achterkant van het apparaat schoon en stofvrij is en de muur erachter niet raakt.
- Er genoeg ventilatie is rond de zij- en achtermuren.

### Als het apparaat niet koud genoeg is, controleer dan of:

- De temperatuur niet te hoog is ingesteld.
- Het apparaat niet naast een warmtebron is opgesteld.
- De deur niet te vaak of voor lange periodes wordt geopend.
- De deurafdichting goed afsluit.
- Het apparaat niet is ingesteld op de demo-modus.
- Het apparaat voldoende ventilatie heeft en volgens de in deze handleiding vermelde installatievereisten is geïnstalleerd.

### Als het apparaat lawaai maakt, controleer dan of:

- Het apparaat horizontaal en stabiel staat.
- De rekken correct binnen het apparaat zijn geplaatst.
- De kamertemperatuur hoger is dan normaal.
- De deurafdichting goed afsluit.
- De deur niet te vaak of voor lange periodes wordt geopend.
- Het apparaat voldoende ventilatie heeft en volgens de in deze handleiding vermelde installatievereisten is geïnstalleerd.



### OPMERKING

Het koelvloeistofgas in de koelkast kan een licht borrelend of gorgelend geluid maken, zelfs als de compressor niet draait.



### OPMERKING

Bepaalde ploppende of krakende geluiden zijn normaal. Deze ontstaan doordat de binnenwanden uitzetten en krimpen als gevolg van temperatuurveranderingen.

### Als de deur niet goed kan worden gesloten, controleer dan of:

- Het apparaat horizontaal en stabiel staat.
- De deurscharnieren niet los zitten.
- De pakking van de deur niet vuil is of los zit.
- De rekken correct binnen het apparaat zijn geplaatst.

### Als het apparaat piept, controleer dan of:

- De deuren goed dicht zijn. Er gaat een alarm af nadat een deur 3 minuten open heeft gestaan.

### Als zich overmatig ijs in het apparaat heeft gevormd:

- De omgeving is te vochtig.
- De kamertemperatuur is te laag.
- De deur wordt te vaak geopend.
- Het apparaat heeft een automatisch ontdooisysteem, maar onder bepaalde omstandigheden kan handmatig ontdooien noodzakelijk zijn. Als er zich regelmatig ijs vormt, probeer de koelkast dan op een hogere temperatuur te laten draaien en beperk het aantal keren dat u de deur opent. Ook kunt u de stekker uit het stopcontact halen om het ijs te laten smelten.
- Controleer de deurpakking op knikken, vuil en beschadiging. Als u dit opmerkt en het probleem niet zelf kunt oplossen, neem dan contact op met de klantenservice zodat de afdichting kan worden vervangen.
- Dit kan het gevolg zijn van kastdeur(en) die niet goed is (zijn) aangebracht. Als u het helemaal niet zeker weet, vraag dan uw installateur om de deuren van de kast te controleren.

### Als een of meer led-units in het apparaat niet werken:

- Controleer of de verlichting niet is uitgeschakeld met de betreffende displayknop.
- Controleer of er een stroomaansluiting is.
- Controleer of het circuit van het stopcontact of de zekering niet beschadigd zijn.
- Neem contact op met de klantenservice om een servicebezoek te regelen.

### Als de behuizing van het apparaat onder stroom staat:

- Het apparaat is niet goed geaard. Neem contact op met uw elektricien om uw elektrische aardingsstelsel te testen.

# FOUTCODES

Wanneer er een storing optreedt, moet u contact opnemen met een servicetechnicus voor reparaties

TOELICHTING	CIRCUITCODE
Kortsluiting ruimtetemperatuursensor	HH
Open circuit ruimtetemperatuursensor	LL
Alarm hoge temperatuur	25/77
Alarm lage temperatuur bovenste temperatuurzone	2
Alarm lage temperatuur onderste temperatuurzone	5
Kortsluiting omgevingstemperatuursensor	1H
Open circuit omgevingstemperatuursensor	1L



## OPMERKING

Als er een foutcode is, wordt de foutcode weergegeven op het display en gaat de zoemer af.

Als u het alarmsignaal wilt uitschakelen, drukt u op de aan/uit-toets.



## OPMERKING

Als het weergavevenster "HH" of "LL" toont, vergezeld van een continue "pieptoon", is de temperatuursensor defect. Neem onmiddellijk contact op met een vakman voor reparatie.

### 1) Alarm hoge temperatuur:

- Het alarm wordt geactiveerd als aan een van de volgende voorwaarden wordt voldaan (afzonderlijk beoordeeld voor elke temperatuurzone):
  1. Zonetemperatuur  $\geq 25^{\circ}\text{C}$  gedurende meer dan 3 uur.
- Alarmkenmerken: De LED-verlichting en digitale schermweergave  $25^{\circ}\text{C}$  of  $77^{\circ}\text{F}$  knipperen tegelijkertijd, de zoemer geeft een alarm, met een knipperfrequentie van 1 keer per 3 seconden.
- Voor het automatisch afsluiten van het alarm moet aan alle volgende voorwaarden worden voldaan: Temperatuur van de zone  $< 25^{\circ}\text{C}$  Duur  $\geq 1$  min
- Belastingkarakteristieken tijdens het alarm: de belastingen worden niet beïnvloed door het alarm en werken volgens de huidige temperaturomstandigheden.

### 2) Alarm lage temperatuur:

- Het alarm wordt geactiveerd als aan een van de volgende voorwaarden wordt voldaan (afzonderlijk beoordeeld voor elke temperatuurzone):
  - 2.1) Temperatuur bovenste temperatuurzone  $\leq 2^{\circ}\text{C}$ , 30 minuten lang vastgehouden.
  - 2.2) Temperatuur lagere temperatuurzone  $\leq 5^{\circ}\text{C}$ , 30 minuten lang vastgehouden
- Alarmkenmerken: De weergave van de lage temperatuur voor de bovenste temperatuurzone knippert op  $2^{\circ}\text{C}/36^{\circ}\text{F}$  en de weergave van de lage temperatuur voor de onderste temperatuurzone knippert op  $5^{\circ}\text{C}/36^{\circ}\text{F}$ . De zoemer geeft een alarm en de LED-lichten knipperen met een frequentie van 1 keer per halve seconde.
- Het alarm wordt uitgeschakeld als aan een van de volgende voorwaarden wordt voldaan (afzonderlijk beoordeeld voor elke temperatuurzone):
  - 2.1) Bovenste temperatuurzone  $> 5^{\circ}\text{C}$ , duur  $\geq 1$  min.
  - 2.2) Onderste temperatuurzone  $> 5^{\circ}\text{C}$ , duur  $\geq 1$  min.



Bertazzoni zet zich in om de klanten te voorzien van een service van de hoogste kwaliteit. In het onwaarschijnlijke geval dat u product een fabricagedefect vertoont, vragen we u contact op te nemen met ons serviceteam:

<https://nl.bertazzoni.com/zorg-en-service>

Er zal u gevraagd worden de informatie van het product, het aankoopbewijs, een foto van het zilverkleurige typeplaatje en een beschrijving van het probleem te verstrekken. Zorg ervoor dat u deze informatie bij de hand heeft.



## FRÅN CHEFENS SKRIVBORD

Bäste ägare till en Bertazzoni-apparat,

Tack för att du har valt en av våra kvalitetsapparater till ditt hem.

Min familj har tillverkat spisar i Italien sedan 1882 och under vägen har vi skaffat oss ett grundmurat gott rykte för våra utmärkta tekniska produkter - något som fötts ur vår passion för god mat.

Våra produkter stoltserar idag med en exklusiv och typiskt italiensk design i absolut teknisk toppnivå. Vår mission är att tillverka hushållsapparater som fungerar perfekt och som skänker glädje åt den som använder dem.

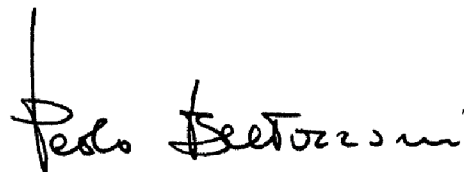
Vi svarar på våra kunders behov genom att tillverka produkter med mycket höga estetiska värden. Våra hushållsapparater är dessutom mångsidiga och lättanvända, så att laga mat med dem blir till ett rent nöje.

Denna handbok kommer att hjälpa dig att lära dig att ta hand om din Bertazzoniprodukt på allra bästa och säkraste vis, så att du kan få full tillfredsställelse då du använder den i många, många år.

Njut!

Paolo Bertazzoni

Verkställande Direktör





## **ANVÄNDARHANDBOKENS GILTIGHET**

Denna handbok gäller endast för produktkod **RWC60B4DNRP**.

# INNEHÅLL

---

VIKTIG SÄKERHETSINFORMATION OCH MILJÖHÄNSYN	125
ALLMÄN INFORMATION	125
INFORMATION OM HANDBOKEN	125
SÄKERHETSINFORMATION	126
MILJÖSKYDD	127
ÖVERENSSTÄMMELSE	128
ENERGIBESPARING	128
FLYTTA APPARATEN	128
SPECIFIKATIONER	129
BESKRIVNING AV APPARATEN	129
TEKNISKA SPECIFIKATIONER	129
RUMSTEMPERATUR	129
INSTALLATION	130
INSTALLATIONSANVISNINGAR	130
FÖRBEREDELSE FÖR INSTALLATION	130
ELEKTRISKA KRAV	130
VENTILATION	131
PRODUKTENS MÅTT	132
SKÅPETS MÅTT	133
INSTALLATIONSANVISNING	134
AVLÄGSNA HYLLORNA	135
ANVÄNDNING OCH UNDERHÅLL	136
ANVÄNDNING	136
FÖRE FÖRSTA ANVÄNDNING	136
INVÄNDIG FÖRVARING	137
REKOMMENDATIONER FÖR FÖRVARING OCH SERVERING AV VIN	138
KONTROLLPANEL	141
SKÖTSEL OCH UNDERHÅLL	144
UTBYTE AV LYSDIODER - INSTRUKTIONER	144
RENGÖRING AV INRE YTOR	144
UPPTINING	144
BULLER OCH INNEBÖRD	144
STRÖMAVBROTT	144
FELSÖKNING	145
FELKODER	146
GARANTI	147
GARANTI OCH SERVICE	147

# VIKTIG SÄKERHETSINFORMATION OCH MILJÖHÄNSYN

## ALLMÄN INFORMATION

### INFORMATION OM HANDBOKEN

Dessa instruktioner är lämpliga för flera olika typer av apparater, så de kan innehålla beskrivningar av funktioner som kanske inte stöds av eller finns på din apparat.

Bilder och illustrationer i detta dokument refererar till olika modeller och kan variera en aning från den produkt du har köpt.

Tillverkaren ansvarar inte för personskador eller skador på egendom som beror på felaktig installation eller felaktig användning av apparaten.

Tillverkaren förbehåller sig rätten att modifiera de olika modellerna för att uppfylla gällande säkerhetsföreskrifter.

Vid eventuella reklamationer, var god kontakta Kundtjänst. Läs noga alla instruktioner i denna handbok innan du installerar och/eller använder apparaten. Detta kommer att hjälpa dig lära känna din nya apparat. Förvara detta dokument nära till hands så att du kan läsa det när så krävs, och se till att det medföljer till en eventuell ny ägare.

Läs säkerhetsmeddelandena i introduktionen till denna handbok, och observera speciellt säkerhetsanmärkningar såsom: "Observera", "Varning" och "Fara" som visas i texten.



### FARA

Denna symbol visar på en situation som kan vara en fara för dig och för andra personer. Läs texten noggrant och se till att du har förstått exakt vad som kan utgöra orsak till eventuell fara eller olycka med dödlig utgång.



### VARNING

Denna symbol visar säkerhetsinformation. Läs texten noggrant och se till att du noga har förstått orsakerna till potentiellt farliga olyckor.



### OBSERVERA

Denna symbol visar på en procedur som kan äventyra apparatens stomme eller komponenter. Var speciellt försiktig med dessa procedurer.



### ANMÄRKNING

Denna symbol markerar metoder eller procedurer för korrekt användning av apparaten.

Modell, säljkod och serienummer är tryckta på typskylten. Se avsnittet Specifikationer i denna handbok för placeringen av typskylten.



### ANMÄRKNING

Du bör notera apparatens data och serienummer så att de omedelbart finns till hands om dessa uppgifter behövs.



### ANMÄRKNING

Uppge informationen som anges på typskylten för att förbättra effektiviteten hos Kundtjänst och reservdelsavdelningen. För garantiändamål behöver du också installationsdatumet och namnet på din auktoriserade Bertazzoni-återförsäljare.



### VARNING

När du använder din apparat ska du alltid följa vissa grundläggande försiktighetsåtgärder. Läs alla instruktioner innan apparaten används. Spara dessa instruktioner och överlämna dem till en eventuell framtida användare.

# VIKTIG SÄKERHETSINFORMATION OCH MILJÖHÄNSYN

## SÄKERHETSINFORMATION

Denna apparat är endast avsedd för användning i hemmet eller liknande, som:

- Personalkök i affärer, på kontor eller i andra arbetsmiljöer.
- I lantbruksmiljöer och för gäster på hotell, motell och andra hemliknande miljöer.
- I bed and breakfast-miljöer.
- För catering och liknande icke återförsäljningstjänster.

Den får inte användas för några andra ändamål än de den är avsedd för. Den får endast användas för att förvara vin.

Tillverkaren avsäger sig allt ansvar för skador som uppstår vid felaktig användning eller förflyttning.

Originalreservdelar finns tillgängliga under 10 år efter apparatens inköpsdatum.

## UNDVIK ATT UTSÄTTA BARN OCH SÅRBARA FÖR FARA

Denna apparat är inte avsedd att användas av individer (inkl. barn) med reducerad fysisk eller känslomässig förmåga eller bristande erfarenhet och kunskap, såvida de inte fått vägledning eller instruktioner om användningen av apparaten av en person som ansvarar för deras säkerhet.

Barn bör hållas under uppsikt så att de inte leker med apparaten.

Rengöring och underhåll får ej utföras av barn, såvida de inte övervakas av en vuxen.

Håll apparaten och dess nätkabel utom räckhåll för barn yngre än 8 år.

## RISK FÖR ELEKTRISKA STÖTAR

- Se till att apparaten är bortkopplad från elnätet under installation, underhåll, rengöring och reparationer.
- När apparaten installeras, se till att nätkabeln inte kommer i kläm eller skadas.
- Om apparatens nätkabel är skadad måste den bytas ut av tillverkaren, Kundtjänst eller en annan person med liknande kvalifikationer. Olämpliga installationer och reparationer kan utsätta användaren för stora risker.
- Använd inte en adapter. Använd inte en förlängningsladd.
- Anslut inte kylskåpet till ett löst vägguttag. Dra inte i kabeln för att koppla loss apparaten.
- Skilj apparaten från elnätet om du stöter på en felfunktion under användning. Om apparaten inte fungerar får den inte användas förrän den har reparerats av en auktoriserad serviceverkstad. Tillverkaren ansvarar inte för skador som uppstår på grund av procedurer som utförts av icke auktoriserade personer.

- Tvätta aldrig apparaten genom att hälla, skvätta eller spraya vatten på den. Vidrör aldrig stickkontakten med våta händer.
- Använd aldrig ånga eller ångtvätt för att rengöra eller avfrostas kylskåpet. Ånga kan orsaka kortslutning eller elektriska stötar om den kommer i kontakt med ditt kylskåps elektriska komponenter.
- Anslut aldrig ditt kylskåp till en energibesparingsanordning. Den typen av anordningar skadar din apparat.

## RISK FÖR EXPLOSION

- Använd ingen typ av elektriska apparater inuti facken för matförvaring.
- Använd inte mekaniska anordningar eller andra anordningar för att påskynda avfrostningsprocessen, använd endast de som direkt rekommenderats av tillverkaren.
- Förvara ej explosiva ämnen, som tryckförsatt behållare med brandfarlig vätska i denna apparat.
- Flaskor som innehåller drycker med hög alkoholhalt måste förslutas ordentligt och förvaras lodrätt.

## RISK FÖR PERSONSKADA

- Placera inte kolsyrade drycker eller vätskor i tenn- eller glasbehållare i frysavdelningen. De kan brista.
- Använd aldrig kylskåpets komponenter, som dörr eller lådor, som stöd eller för att stiga upp. Detta kan skada apparaten eller få den att välta.
- Sitt inte på apparaten och placera inga tunga föremål på apparaten.
- Sitt inte på och luta dig inte mot dörren eller öppna lådor. Utsätt inte dörren för tryck och använd den inte för att flytta apparaten.
- Överbelasta inte kylan. Föremål som placerats i kylskåpet kan falla när dörren öppnas, och orsaka personskada eller skada på egendom.
- Placera inte händer eller andra kroppsdelar i kylens rörliga delar (t.ex. automatisk ismaskin).

## RISK FÖR KVÄVNING

- Förpackningsmaterial kan vara farliga för barn. Låt inte barn leka med plastpåsar, plastfilm eller polystyren.
- Om det finns ett lås på apparatens dörr ska nyckeln hållas utom räckhåll för barn.

## RISK FÖR MATFÖRGIFTNING

- Förvara rått kött och fisk i kylskåpet i lämpliga behållare så att livsmedlen inte kommer i kontakt med eller droppar på andra livsmedel.
- Låt inte dörren stå öppen under långa tidsperioder, eftersom detta kan leda till att temperaturen i apparatens olika avdelningar stiger signifikant.
- Rengör regelbundet ytor som kan komma i kontakt med mat och åtkomliga dräneringssystem.

# VIKTIG SÄKERHETSINFORMATION OCH MILJÖHÄNSYN

- Om kylskåpet inte ska användas under en längre tidsperiod: stäng av kylan, avfrosta, rengör, torka torrt och låt dörren stå på glänt så att inte mögel bildas i apparaten.

## BRANDRISK / VARNING OM ISOBUTAN



Om köldmedelskretsen i apparaten innehåller isobutan (R600a), en naturgas som är mycket miljövänlig, men den är ändå brandfarlig.

Under transport och installation av apparaten, var noga med att inte skada någon av komponenterna i köldmedelskretsen.

Om köldmedelskretsen skadas:

- Undvik öppen eld och antändande källor.
- Ventilera noggrant det rum där apparaten är placerad.



## ANMÄRKNING

Om apparaten är skadad eller om du upptäcker en gasläcka, håll dig långt från gasen. Den kan förorsaka isbränna om den kommer i kontakt med huden.



## ANMÄRKNING

Den typ av gas som används i apparaten är listad på märkplattan som sitter på den vänstra insidan av kylan.



## OBSERVERA

- Skada inte de områden där köldmedel flödar - var varsam med bormaskin och skärande verktyg. Om gasledningarna i evaporatorn, rörledningarna eller ytbehandlingsskikten skadas kan köldmedel blåsa ut, vilket skapar hudirritation och ögonskador. Använd inte spetsiga eller vassa redskap för att ta bort frost eller isskikt. Du kan skada kylrören. Läckande köldmedel kan orsaka ögonskador eller antändas.
- Försök aldrig att släcka en låga/brand med vatten: stäng av apparaten och täck över elden med en brandsäker filt.
- Täck inte över eller låt främmande föremål blockera ventilationsöppningarna på din kyl.

## MILJÖSKYDD



Denna apparat överensstämmer med EU-direktiv 2011/65/EU (RoHS).

Denna apparat är märkt enligt EU-direktiv 2012/19/EU beträffande elektriskt och elektroniskt avfall (Waste Electrical and Electronic Equipment, WEEE).

Detta direktiv innehåller regler för insamling och återvinning av skrotade apparater över hela den europeiska unionens territorium.



Symbolen med en överkryssad soptunna finns på produkten och betyder att avfall från elektrisk och elektronisk utrustning (WEEE) inte får slängas med vanligt hushållsavfall, utan måste omhändertas separat så att den kan genomgå specialbehandling för att kunna återanvändas eller specifik behandling för säkert avlägsnande av alla miljöförorenande ämnen, och även återanvändning av råmaterial som kan återvinnas.

Därför måste WEEE (elektroniskt och elektriskt avfall) alltid levereras till Återvinningscentraler som hanteras av kommunen eller av Avfallshanteringsföretag. Dessutom, när en ny apparat inhandlas kan WEEE-apparaten återlämnas till återförsäljaren som är skyldig att ta tillbaka den gratis ("1:1" take-back). "Mycket små" WEEE (där inget mått överstiger 25 cm) kan återlämnas till försäljaren gratis även då inget inköp sker ("0:1" take-back, men denna skyldighet gäller endast för butiker med en försäljningsyta på över 400 m<sup>2</sup>).

Var särskilt uppmärksam på de korrekta procedurerna för kassering av allt förpackningsmaterial. Före kassering:

- Frånkoppla elnätet.
- Koppla loss apparaten och klipp av nätkabeln.
- Undvik att skada köldmedelskretsen under kassering.



## VARNING

Se till att gamla och utslitna apparater görs obrukbara före kassering genom att avlägsna stickkontakten, klippa av nätkabeln och avlägsna eller förstöra klämmorna eller snäppbultarna. Detta hindrar barn från att låsa in sig själva i apparaten under lek (risk för kvävning) eller äventyra sina liv på andra sätt.

# VIKTIG SÄKERHETSINFORMATION OCH MILJÖHÄNSYN

---

Apparaten du har köpt följer EU RoHS-direktivet (2011/65/EU). Den innehåller inga material som enligt direktivet specificeras vara skadliga eller förbjudna. Denna apparat innehåller inga ämnen som är farliga för ozonskiktet i atmosfären, varken i kylkretsen eller i isoleringen.


Våra apparater är förpackade i miljövänliga och återvinningsbara material enligt nationella miljöbestämmelser:

- Kassera förpackningen på ett miljövänligt sätt.
- Be din återförsäljare att höra sig för hos de lokala myndigheterna om lämpliga kasseringsmetoder.

För EcoDesign-tester måste installationen och konfiguration av apparaten följa standarden EN 62552.

- Ventilationskrav, mått och minsta utrymme från den bakre väggen anges i Installationsmanualen.
- Kontakta tillverkaren för mer information.

## ÖVERENSSTÄMMELSE

Genom att placera märket  på denna produkt bekräftar vi att den överensstämmer med alla tillämpliga europeiska bestämmelser angående säkerhet, hälsa och miljö för denna produkt.

## ENERGIBESPARING

För optimal energibesparing rekommenderar vi följande:

- Installera apparaten långt ifrån värmekällor, långt från direkt solljus och i en väl ventilerad lokal.
- Överfyll inte facken, eftersom det kan förhindra luft från att cirkulera korrekt.
- Vid eventuellt strömavbrott rekommenderar vi att kylskåpets dörr hålls stängd.
- Öppna apparatens dörrar så sällan som möjligt och under kortaste möjliga tidsrymd.
- Se till att enheten är ordentligt ventilerad. Blockera aldrig luftintagen.
- Täck aldrig över hyllor med aluminiumfolie eller annat hyllmaterial som kan förhindra luftcirkulationen.
- Om apparaten ska lämnas tom under en längre tidsperiod är det tillrådligt att koppla loss den från eluttaget och, efter noggrann rengöring, låta dörren stå på glänt för att låta luft cirkulera invändigt för att förhindra bildning av kondens, mögel och odörer.

## FLYTTA APPARATEN

Om du behöver flytta apparaten, vidta följande försiktighetsåtgärder:

- Avlägsna alla föremål från enheten.
- Tejpa fast alla lösa föremål (t.ex. hyllor) inne i apparaten.
- Vrid de justerbara fötterna vid basen medurs tills de är helt upphöjda för att undvika att skada dem.
- Tejpa fast den stängda dörren.
- Håll apparaten i upprätt position under transport.
- Skydda den yttre glasdörren med en filt eller liknande under transport.

# SPECIFIKATIONER

## BESKRIVNING AV APPARATEN

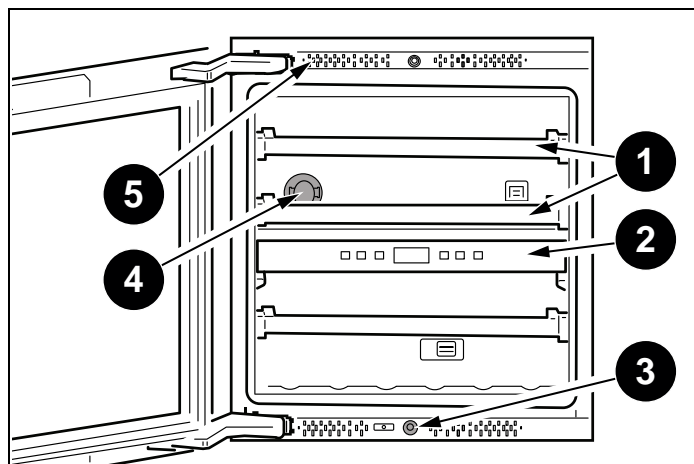


Fig. 1

## TEKNISKA SPECIFIKATIONER

ELEMENT	BESKRIVNING
Typ av kontakt	SCHUKO
Spänning	220 – 240 V
Frekvens	50 Hz
Säkring	10 A
Strömstyrka	0,6 A
Kapacitet	24 Bordeaux-flaskor

Köldmedel, volym och ytterligare tekniska specifikationer återfinns på typskylten.

## RUMSTEMPERATUR

Den tillåtna rumstemperaturen beror på klimatklassen:

KLIMATKLASS	TILLÅTEN RUMSTEMPERATUR
SN (Sub Normal)	+ 10 °C till + 32 °C
N (Normal)	+ 16 °C till + 32 °C
ST (Sub Tropisk)	+ 16 °C till + 38 °C
T (Tropisk)	+ 16 °C till + 43 °C

Information om klimatklassen finns på typskylten.

Den normala driften av vinkylen kan påverkas i en miljö som ligger över eller under den optimala rumstemperaturen. Om vinkylen t.ex. används i en extremt kall eller varm miljö kommer temperaturen inuti skåpet att variera och ibland inte nå det inställda temperaturintervallet 5-20°C. Under årstider med hög luftfuktighet kan det uppstå en viss kondensbildning på vinkylens utsida, som försvinner när luftfuktigheten minskar. Vi rekommenderar att du installerar apparaten i ett torrt och ventilerat rum eller i ett rum med luftkonditionering.

- 1) Vinhylla
- 2) Kontrollpanel och temperaturzonindelning
- 3) Elektromagnetisk Tryck för att öppna
- 4) Filter med aktivt kol
- 5) Ventilation framtill



### ANMÄRKNING

Bilderna i denna handbok är bara en indikation, och kanske inte överensstämmer exakt med din apparat. Om din apparat inte har de delar som beskrivs betyder det att informationen hänvisar till en annan modell.

Denna enhet är utrustad med tre temperatursonder:

- 1 **NTC1** i den övre temperaturzonen
- 1 **NTC2** i den lägre temperaturzonen
- en extern temperaturgivare **NTC3**.

Den är också utrustad med fyra 12 V-fläktar, en inverterkompressor och två värmeelement.

- **Fläkt för övre temperaturzon:** FAN1
- **Fläkt för mittre temperaturzon:** FAN3
- **Fläkt för lägre temperaturzon:** FAN4
- **Kompressorfläkt:** FAN2

# INSTALLATIONSANVISNINGAR

## FÖRBEREDELSE FÖR INSTALLATION

Denna apparat får inte installeras nära värmekällor, t. ex. värmeelement eller spisar, eller på en fuktig plats.

Se till att ni är två eller tre personer som hjälps åt för att installera denna apparat. Apparaten kan ha mycket vassa kanter. Använd korrekt personlig skyddsutrustning PPE för detta arbete och installationsmiljön.

- Använd de justerbara stödbenen på apparatens framsida för att se till att apparaten står jämnt och plant.
- Kylsystemet på apparatens baksida får inte röra vid väggen bakom. Ju större avstånd desto bättre.
- Apparaten måste installeras med adekvat ventilation. Se till att det finns plats för luftcirkulation över apparaten, och att det finns plats mellan apparaten och väggen bakom.
- Det får inte finnas några hinder runt vinkylen eller i den inbyggda strukturen, och ventilationen måste upprätthållas

Anslut apparaten till ett eget, lätt åtkomligt eluttag.

Eventuella frågor om ström och/eller elektriska anslutningar ska ställas till en kvalificerad elektriker eller en auktoriserad produktserviceverkstad.

## ELEKTRISKA KRAV

Denna apparat måste installeras enligt nationella och lokala bestämmelser om elektrisk ledningsdragning.



### OBSERVERA

Använd inte förlängningssladdar eller tvåpoliga adaptrar och avlägsna inte jordbrytaren från jordkabeln.



### OBSERVERA

En kvalificerad elektriker måste säkerställa att det elektriska uttagets poler är korrekt anslutna.

Verifiera att jordningen av eluttaget är korrekt.



### VARNING

Anslut inte apparaten till energibesparande kontakter.

Uttaget måste överensstämja med följande data:

ELEKTRISKA KRAV	
Typ av kontakt	SCHUKO
Outlet	2-prong
Spänning	220 – 240 V
Frekvens	50 Hz
Säkring	10 A

Efter installation, vänta minst 3 timmar innan apparaten ansluts till elnätet, detta för att undvika skador på kompressorn.



### OBSERVERA

Använd inga förlängningssladdar och/eller multiadaptrar för nätanslutningen.

Om ledningsdragningen eller elnätet i huset kräver förändring måste de nödvändiga procedurerna utföras av en kvalificerad elektriker.

Hörsamma reglerna nedan:

- Det elektriska eluttaget eller panelen måste vara lätt åtkomliga i händelse av en nödsituation - den får inte sitta gömd bakom produkten.
- Strömförsörjningsanslutningen ska vara lätt att koppla ifrån efter att apparaten har installerats.
- Varken stickkontakten eller nätkabeln får vidröra apparatens baksida. Annars kan de skadas av apparatens vibrationer.

# INSTALLATIONSANVISNINGAR

---

- För att förhindra personskador av misstag bör nätkabeln säkras bakom apparaten och inte lämnas exponerad eller hängande.
- Anslut inte stickkontakter från annan utrustning bakom denna apparat. Om fuktighetsnivån är hög där apparaten används kan dess yttre korrodera. För att förebygga korrosion, se till att installationsrummet är torrt och välstädat.

För att undvika elektriska stötar:

- Anslut stickkontakten till ett jordat eluttag.
- Avlägsna inte stickkontaktens jordande polstift.
- Använd inte adaptrar.
- Använd inte förlängningskablar.



## OBSERVERA

Anslut inte jordkabeln till gasledningen. Låt en kvalificerad elektriker kontrollera jordningen om du är osäker på apparatens jordning. Installera inte en säkring på neutralen eller på jordkretsen.



## OBSERVERA

Underlåtenhet att följa dessa anvisningar kan skapa farliga situationer såsom brand, elektriska stötar eller dödsfall. Att ansluta apparatens jordledare till fel pol kan leda till elektriska stötar. Låt en kvalificerad elektriker eller servicetekniker kontrollera jordningen om du är osäker apparatens korrekta jordning. Installation, reparation och andra procedurer som utförs av okvalificerade personer kan orsaka stora faror. Innan apparaten installeras, se till att alla parametrar för spänning, belastning och kretsström på typskylten överensstämmer med husets elnät.

## VENTILATION

Den värme som kommer från kylavdelningen måste ledas ut och spridas i luften runt apparaten. Felaktig ventilation kan leda till kompressorfel, mycket hög energiförbrukning och total systemkollaps - och kan dessutom göra att apparatens garanti förfaller.

Den här vinkylen har ett luftutlopp på framsidan. För att säkerställa god ventilation får inga andra föremål placeras direkt framför vinkylen.



## ANMÄRKNING

Luftintaget på apparatens framsida får aldrig täckas över eller blockeras på något sätt.

# INSTALLATIONSANVISNINGAR

## PRODUKTENS MÅTT

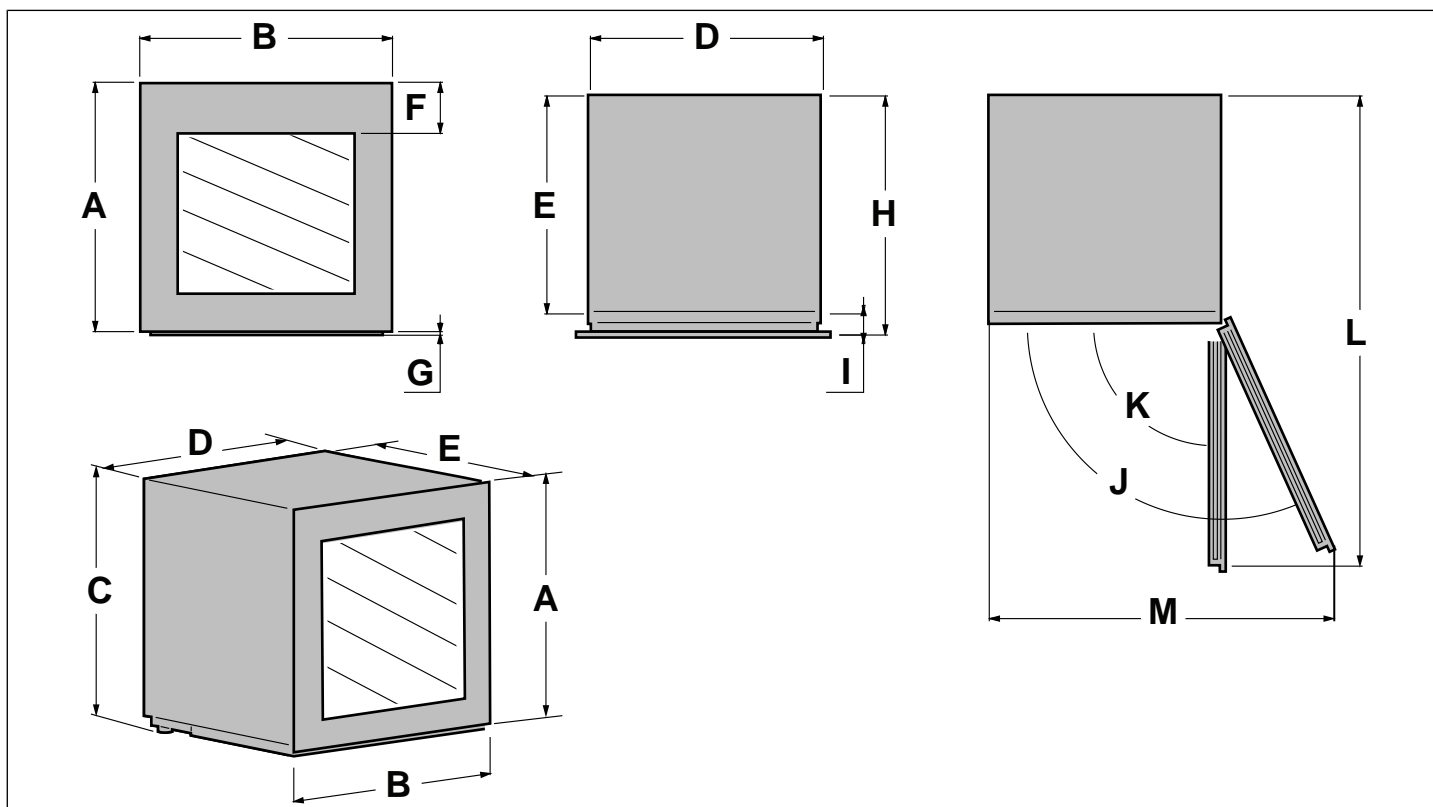


Fig. 2

A. 585 mm

B. 593 mm

C. 583 mm — 593 mm

D. 552 mm

E. 565 mm

F. 120 mm

G. 8 mm

H. 566 mm

I. 48 mm

J. 115°

K. 90°

L. 1150 mm

M. 770 mm

# INSTALLATIONSANVISNINGAR

## SKÅPETS MÅTT

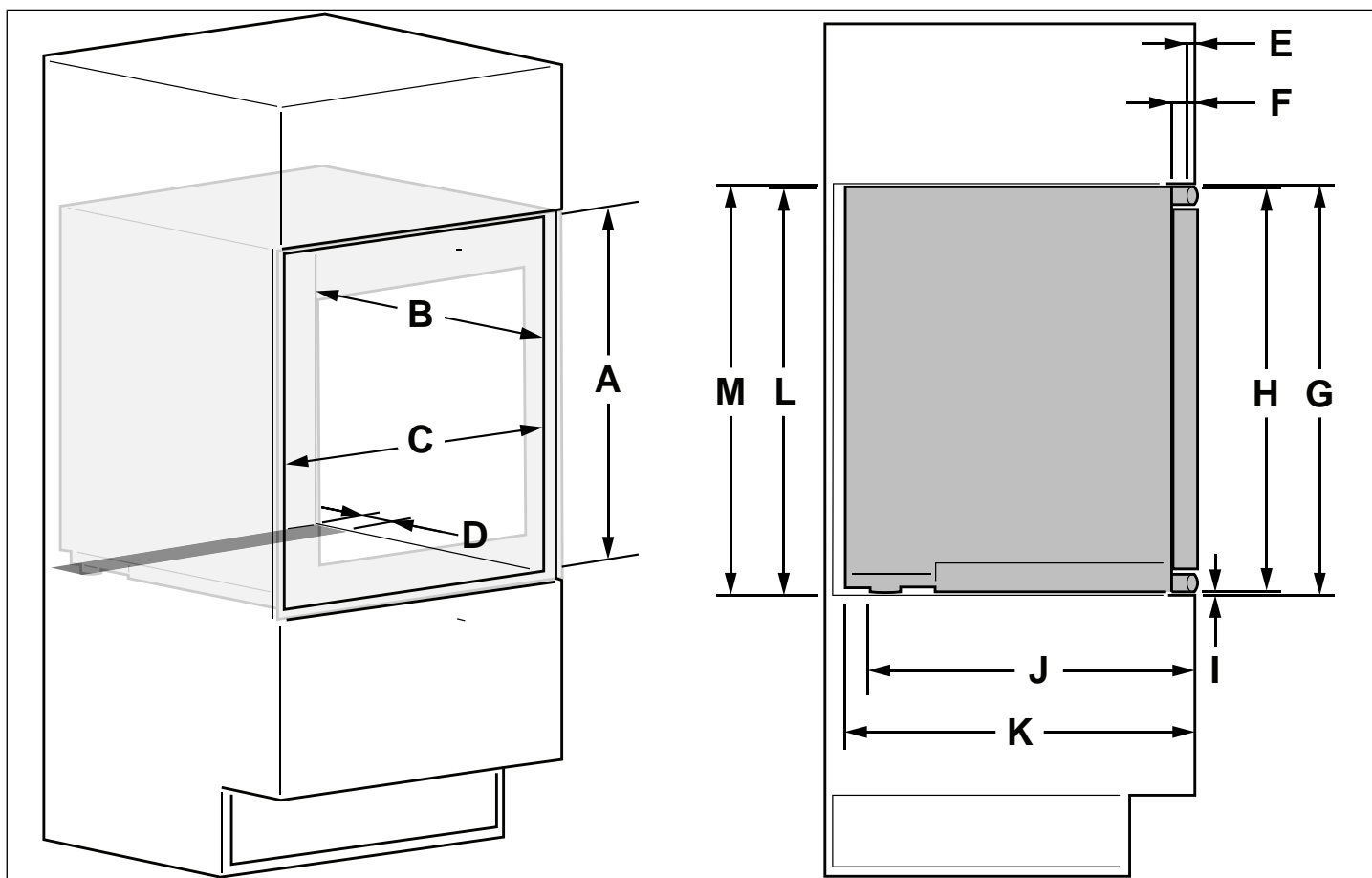


Fig. 3

**A.** 585 mm — 595 mm

**B.** Min. 560 mm

**C.** 560 mm — 590 mm

**D.** Max. 60 mm

**E.** Max. 25 mm

**F.** 48 mm

**G.** 593 mm

**H.** 585 mm

**I.** 8 mm

**J.** 506 mm

**K.** 565 mm

**L.** Min. 583 mm

**M.** Min. 585 mm

# INSTALLATIONSANVISNINGAR

## INSTALLATIONSANVISNING



### ANMÄRKNING

Apparaten måste vara ansluten till strömförande nät före installation.

- 1) Tryck in apparaten i träskåpet med gångjärnen mot skåpet.

Se till att glasdörren till vinkylen är i jämnhöjd med de intilliggande möbeldörrarna.

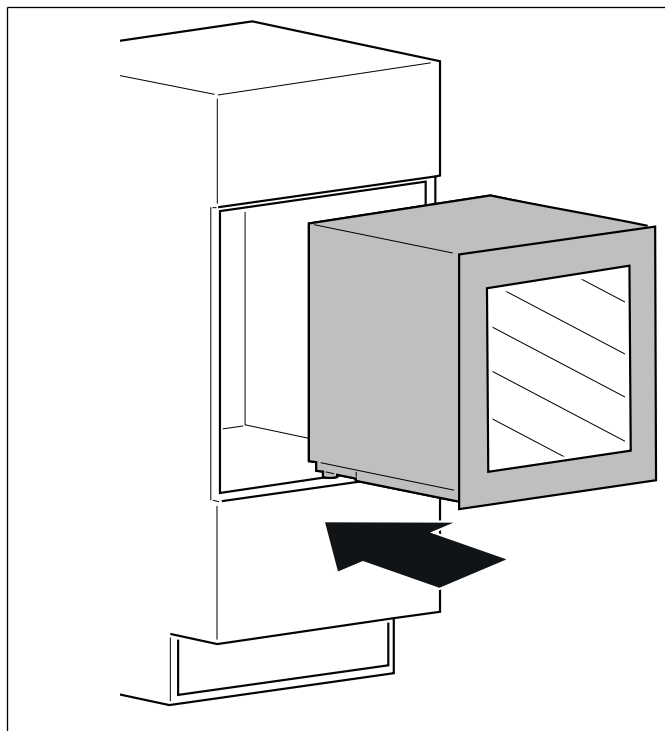


Fig. 4

- 2) Fäst vinkylen ovanpå skåpets nisch med två skruvar på den övre metallplattan.

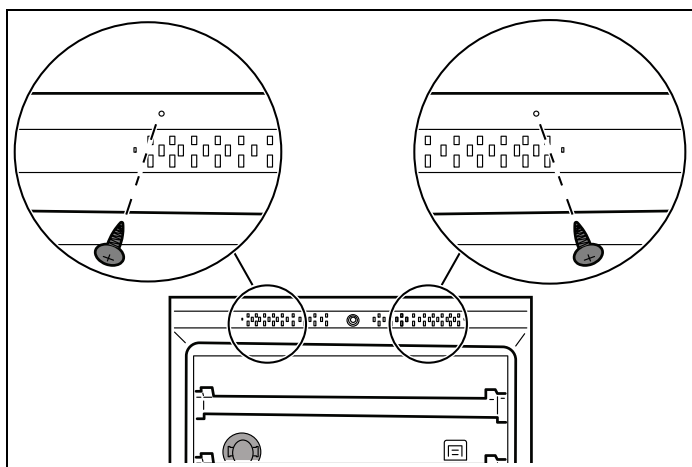


Fig. 5

- 3) Fäst vinkylen i botten av skåpets nisch med två skruvar på den nedre metallplattan.

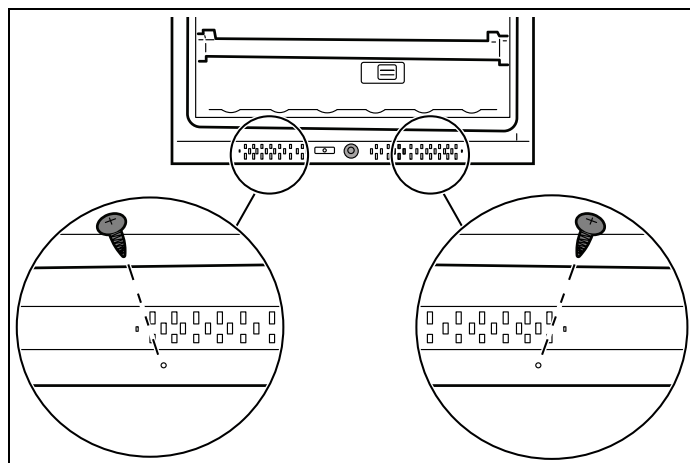


Fig. 6

- 4) Dra av 3M-klistret från tätningslistan som medföljer i tillbehörspåsen och kapa den vid behov till perfekt höjd för skåpnischen.

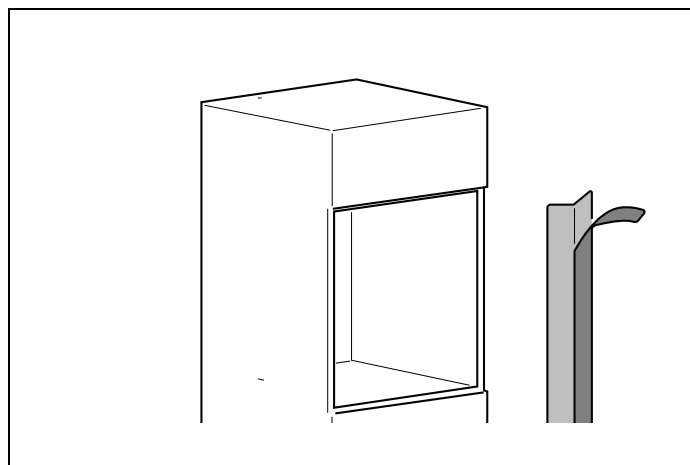


Fig. 7

# INSTALLATIONSANVISNINGAR

- 5) Tryck in tätningens listan i springan mellan skåpets innervägg och apparatens sidor. Remsan har enbart en estetisk funktion. Om den inte är installerad försämrar den inte apparatens funktion.

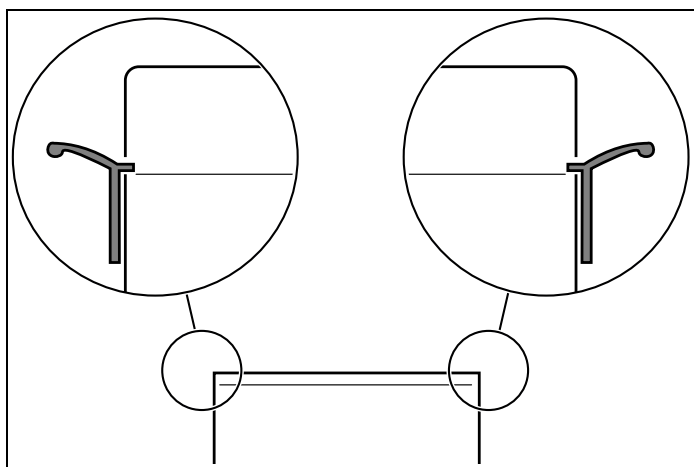


Fig. 8

- 6) Installationen är slutförd.

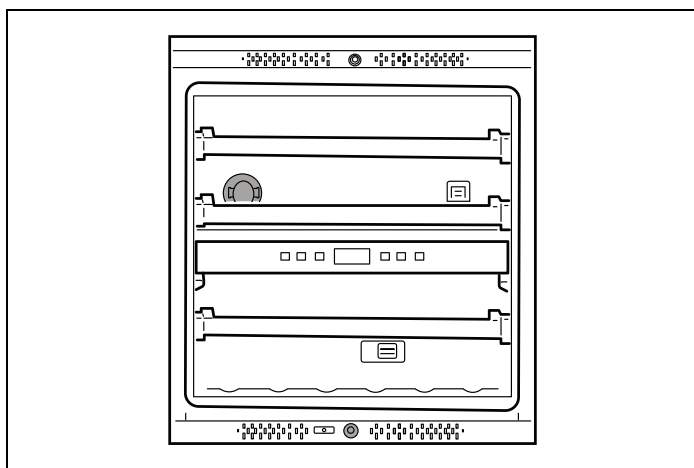
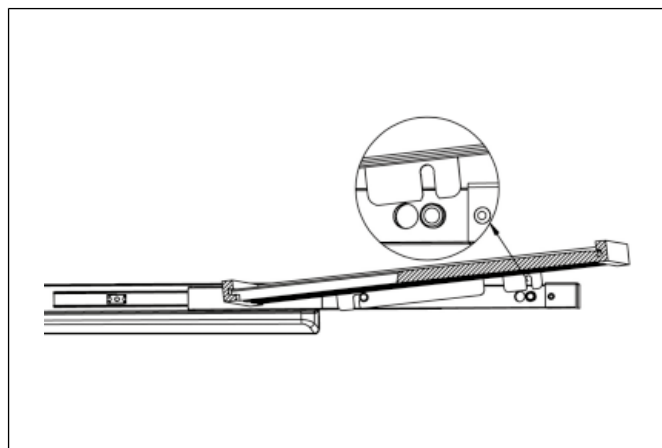


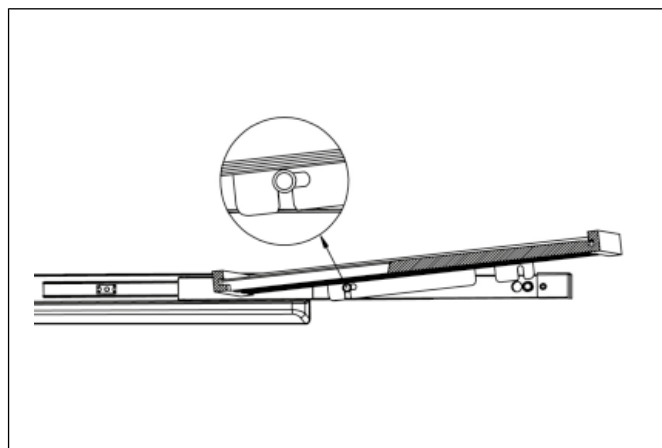
Fig. 9

## AVLÄGSNA HYLLORNA

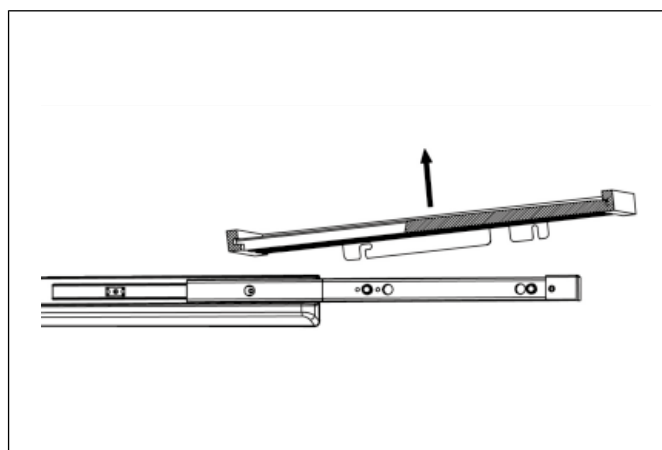
- 1) Dra ut vinhyllan på teleskopskenorna i fronten.



- 2) Dra vinhyllan framåt. Teleskopskenornas fixeringspunkt låses baktill i positionen som visas i figuren.



- 3) Dra upp hyllan för att avlägsna den.



# ANVÄNDNING

---

## FÖRE FÖRSTA ANVÄNDNING

**Avlägsna allt utvändigt och invändigt förpackningsmaterial. Låt apparaten stå upprätt i minst 24 timmar innan du sätter på den.**

Detta reducerar risken för en felfunktion i kylsystemet orsakad av hantering under transport.

- Rengör insidan av kylan enligt rekommendationerna i avsnittet *RENGÖRING OCH VÅRD*. Innan du sätter på apparaten, se till att insidan är torr.
- Anslut apparaten till ett jordat eluttag. Den invändiga belysningen tänds när dörren öppnas.
- Kör vinkylan under 6 timmar innan du lägger in flaskor, och öppna inte dörren såvida det inte är nödvändigt.



### ANMÄRKNING

Du kommer att höra lite oväsen då kompressorn startar. Vätskor och gaser som är förseglade i kylsystemet kan föra lite oväsen, även om kompressorn inte är påslagen. Detta är helt normalt.



### ANMÄRKNING

De främre kanterna på apparaten kan kännas varma. Detta är normalt. Dessa områden är designade för att vara varma för att förhindra kondens.

Under drift kan du höra vissa helt normala ljud:

- Surrande: Kylskåpet arbetar. Fläkten i luftcirkulationssystemet arbetar.
- Bubblande, nynnande eller gurglande ljud: köldmedel flödar genom rören.
- Klickande: motorn sätts på eller stängs av.

Dörren på denna apparat kan endast öppnas från vänster sida.

Om du har fått en skadad produkt, kontakta omedelbart återförsäljaren eller distributören från vilken du köpte produkten.

Läs och följ noga dessa instruktioner för installation, användning och underhåll av apparaten.

Läs avsnittet om felsökning i denna handbok, vilket hjälper dig att diagnostisera och lösa den vanligaste problemen.

# ANVÄNDNING

## INVÄNDIG FÖRVARING

Denna vinkylare har två oberoende temperaturzoner, den övre zonen kan justeras från 5°C till 12°C och den nedre zonen kan justeras från 12°C till 20°C.

Illustrationerna i detta avsnitt visar ett lastningsmönster med standardflaskor med Bordeaux-vin. Observera att vinkylaren även kan rymma olika typer av flaskor. Magnumflaskor kan förvaras på det nedre hyllplanet i den övre zonen genom att man tar bort det övre hyllplanet.

Tråhyllorna kan avlägsnas för att öka lastkapaciteten, men gör apparaten mindre praktisk för daglig användning. För att avlägsna en hylla, se paragrafen **AVLÄGSNA HYLLORNA**.

Den mest energibesparande konfigurationen kräver att hyllorna installeras i apparaten.

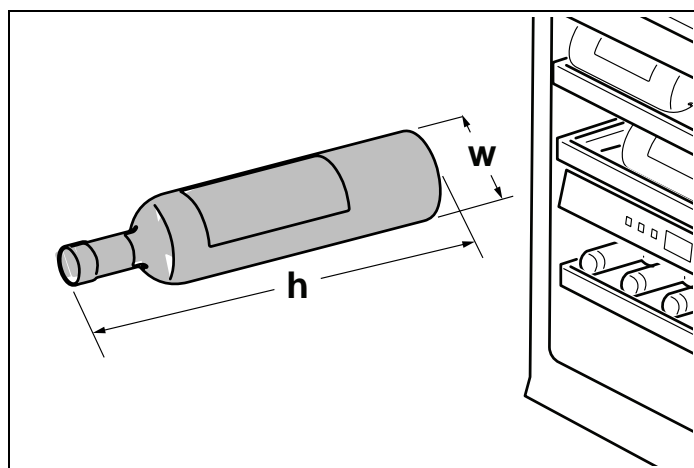


Fig. 10

• b. 76 mm

• h. 300 mm

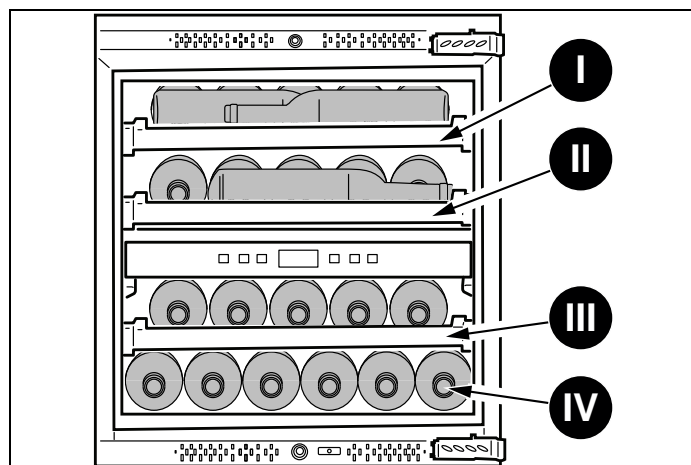


Fig. 11

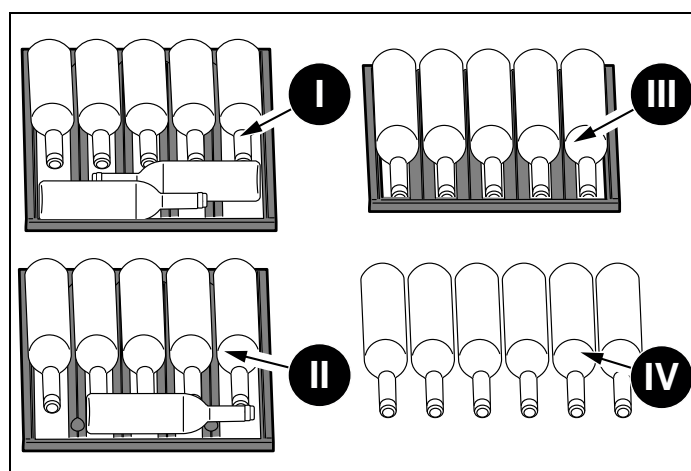


Fig. 12

LASTKAPACITET		FLASKFÖRVARING (FLASKA 1 - BORDEAUX-TYP)
Övre zon	översta hyllan (I)	7
	nedre hyllplan (II)	6
Nedre zon	översta hyllplan (III)	5
	nedre hyllplan (IV)	6
<b>Totalt</b>		<b>24</b>

# ANVÄNDNING

## REKOMMENDATIONER FÖR FÖRVARING OCH SERVERING AV VIN

För att bäst uppskatta de organoleptiska egenskaperna hos varje vin är det nödvändigt att förvaring och konsumtion äger rum vid vissa temperaturer.

Följande tabell sammanfattar den lämpligaste förvaringstemperaturen för varje typ av vin. Vi rekommenderar, särskilt för värdefulla flaskor, att följa instruktionerna från vintillverkaren.

TYP AV VIN	FÖRVARINGSTEMPERATUR (°C)
Unga och lätta vita viner	10 - 12
Mogna och strukturerade vita viner	12 - 14
Aromatiska vita viner	8 - 10
Unga och lätta roséviner	10 - 12
Mogna, fylliga roséviner	12 - 14
Unga röda viner	10 - 14
Unga, något tanniska och lätta röda viner	14 - 16
Unga, tanniska och fylliga röda viner	16 - 18
Mycket mogna, tanniska och fylliga röda viner	16 - 18
Söta och aromatiska mousserande viner	8 - 10
Söta och aromatiska röda mousserande viner	10 - 12
Mousserande viner enligt Charmat-metoden	8 - 10
Mousserande viner enligt Long Charmat-metoden	10 - 12
Mousserande viner enligt klassisk metod	8 - 10
Mousserande viner enligt klassisk "Millesimato"-metod	10 - 12
Torra och halvtorra mousserande viner	8 - 10
Halvmousserande viner	10 - 12
Mycket söta mousserande viner	10 - 12
Dessert- eller halmviner, stråviner som tillsatts alkohol	10 - 18

## ANVÄNDNING

TYP AV VIN	FÖRVARINGSTEMPERATUR (°F)
Unga och lätta vita viner	50 - 54
Mogna och strukturerade vita viner	54 - 57
Aromatiska vita viner	46 - 50
Unga och lätta roséviner	50 - 54
Mogna, fylliga roséviner	54 - 57
Unga röda viner	50 - 57
Unga, något tanniska och lätta röda viner	57 - 61
Unga, tanniska och fylliga röda viner	16 - 18
Mycket mogna, tanniska och fylliga röda viner	61 - 64
Söta och aromatiska mousserande viner	46 - 50
Söta och aromatiska röda mousserande viner	50 - 54
Mousserande viner enligt Charmat-metoden	46 - 50
Mousserande viner enligt Long Charmat-metoden	50 - 54
Mousserande viner enligt klassisk metod	46 - 50
Mousserande viner enligt klassisk "Millesimato"-metod	50 - 54
Torra och halvtorra mousserande viner	46 - 50
Halvmousserande viner	50 - 54
Mycket söta mousserande viner	50 - 54
Dessert- eller halmviner, stråviner som tillsatts alkohol	50 - 64

# ANVÄNDNING

---

## Vita viner

Vita viner serveras normalt inte vid höga temperaturer eftersom de generellt är mer sura än röda viner och inte så tanniska, vilket förklarar varför de är mer njutbara vid låga temperaturer.

Dessa viner bör helst förvaras och serveras mellan 10 °C och 14 °C (50 °F och 57 °F). Unga, fräscha och aromatiska viner kan också serveras vid 10 °C (50 °F), medan mindre aromatiska viner rekommenderas vid 12 °C (54 °F). Temperaturer mellan 12 °C och 14 °C (54 °F och 57 °F) är lämpliga för mjuka, mogna vita viner som åldrats några år i flaskan. Högre temperaturer gynnar intensiteten hos vinets söta egenskap, till men för syrligheten och smaken som anses vara angenäma och önskvärda egenskaper hos denna typ av vin.

## Roséviner

Roséviner serveras vanligtvis vid samma temperatur som vita viner. Det ska dock understrykas att dessa viner kan innehålla en viss mängd tanniner och det kan därför vara bättre att avsmaka dem vid högre temperaturer för att inte göra dem alltför kärva. Följaktligen serveras de mellan 10 och 12 °C (50 och 54 °F) om de är unga och fräscha, och mellan 12 och 14 °C (54 och 57 °F) om de är mer robusta och mogna.

## Röda viner

Röda viner innehåller tanniner och är mer sura, och serveras vanligen vid högre temperaturer.

Yngre och mindre tanniska viner serveras generellt mellan 14 och 16 °C (57 och 61 °F), medan fylligare och tanniska viner kan serveras vid 16 °C (64 °F), och undantagsvis även vid 18 °C (64 °F). Vissa viner som åldrats i årtal i flaskan, fortfarande fylliga och tanniska, kan serveras vid 18 °C (64 °F) eller även vid 20 °C (68 °F). Unga röda viner med låga nivåer av tanniner och är mindre strukturerade kan avnjutas vid lägre temperaturer, mellan 12 och 14 °C (54 och 57 °F).

## Klassiska eller Charmat-baserade mousserande viner

Med den stora variationen av befintliga mousserande viner är det svårt att ge giltiga rekommendationer för alla.

I allmänhet ska söta och mer aromatiska mousserande viner serveras vid lägre temperaturer, upp till 8 °C (46 °F), på grund av deras aromaticitet. Mer tanniska mousserande viner kan serveras vid högre temperaturer, upp till 14 °C (57 °F).

Torra Charmat- eller Martinotti-baserade mousserande viner, såsom Proseccos, bör generellt serveras mellan 8 och 10 °C (46 och 50 °F). Mousserande viner enligt Klassisk metod och 'méthode Champenoise' såsom Champagne serveras också normalt serverad vid dessa temperaturer, men för mousserande viner som åldrats under en viss tid såsom Millesimati, kan du gå upp till 12 °C (54 °F) för att gynna utvecklingen av komplexa aromer.

Det är dock tillrådligt, särskilt för de finaste vinerna, att följa tillverkarens rekommendationer som är tryckta på flaskan.

## Mousserande viner

För halvmousserande viner gäller samma temperaturindikationer som för klassiska eller Charmat-baserade mousserande viner och de serveras vanligen mellan 10 och 12 °C (50 och 54 °F). För torra och halvtorra mousserande viner rekommenderas en något lägre serveringstemperatur, mellan 8 och 10 °C (46 och 50 °F).

## Dessert- eller halmviner, stråviner som tillsatts alkohol

Denna typ av vin kan serveras vid temperaturer mellan 14 och 18 °C (61 och 64 °F) beroende på personlig smak, och för att dämpa den söta smaken och den höga alkoholhalten kan det också serveras vid 10 °C (50 °F).

Torra spritviner, såsom Marsala, innehåller så mycket socker att de inte uppfattas i gommen. För dessa viner bör serveringstemperaturen väljas baserat på vad du vill framhäva. Om du vill betona vinets sötma, komplexiteten hos dess bouquet och dess stramhet, är det bäst att servera vinet vid en hög temperatur, mellan 14 °C och 18 °C (61 och 64 °F), och tänk på att detta också förstärker alkoholkomponenten. Om du hellre vill betona deras fräschör bör de serveras vid en lägre temperatur mellan 10 °C och 14 °C (50 och 61 °F). Torra, fräscha, unga spritviner kan också serveras vid en svalare temperatur än 10 °F (50 °F) för att i hög grad reducera förnimmelsen av alkohol. Ju lägre serveringstemperatur, desto lägre blir dock förnimmelsen av aromer. Behagligheten och komplexiteten hos aromer som är typiska för dessa viner är en välkommen och intressant egenskap: att servera dem alltför kalla innebär att denna viktiga aspekt offras.

# ANVÄNDNING

## KONTROLLPANEL

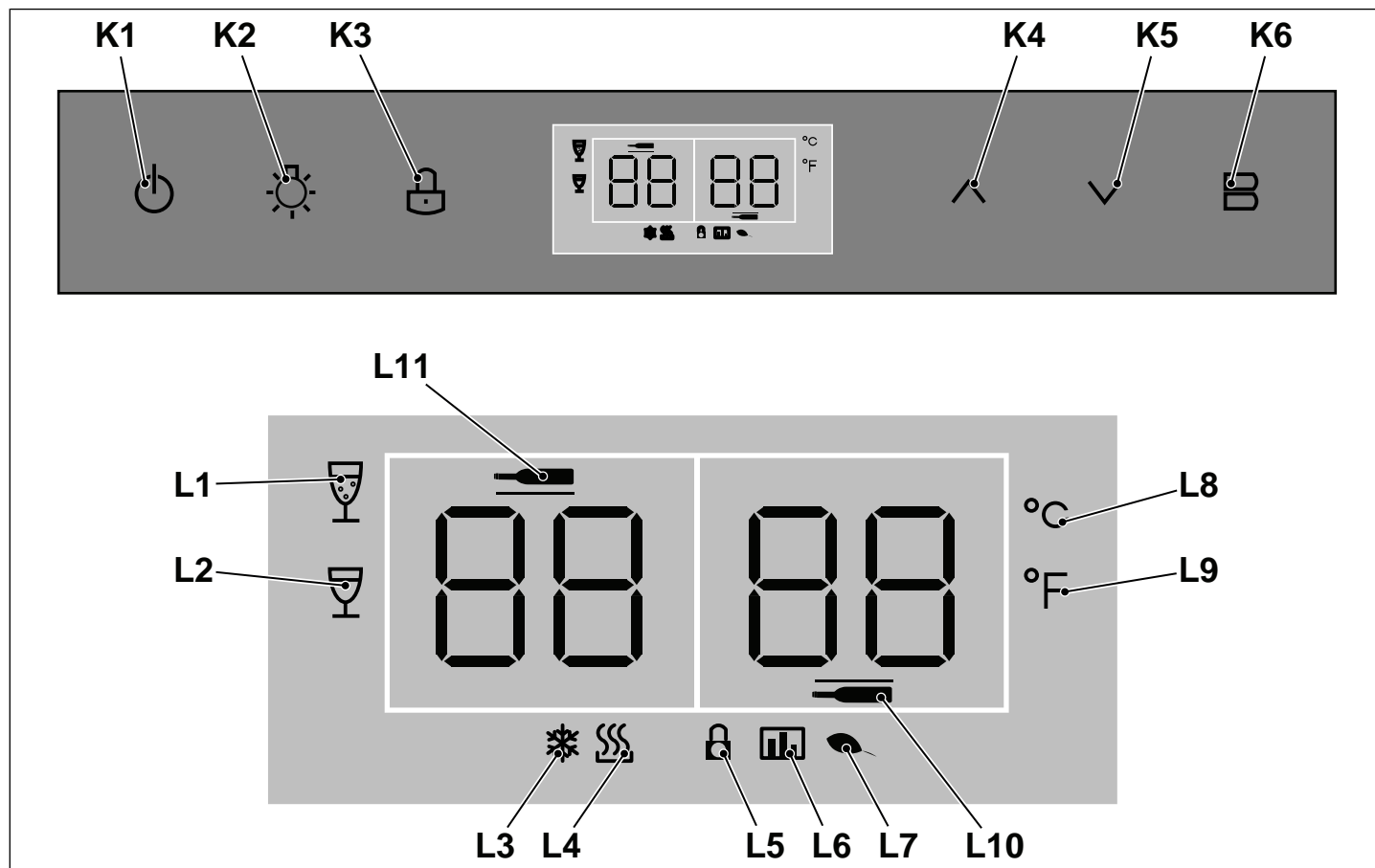


Fig. 13

- **[K1]** På/Av-knapp
- **[K2]** Belysningsknapp
- **[K3]** Knapp för barnlås
- **[K4]** Knapp för temperaturhöjning
- **[K5]** Knapp för temperatursänkning
- **[K6]** Knapp för val av temperaturzon
- **[L1]** Ikon för läge för mousserande vin
- **[L2]** Ikon för läge för vitt vin
- **[L3]** Kylningsikon
- **[L4]** Värmeikon
- **[L5]** Ikon för barnlås
- **[L6]** Ikon för Showroom-läge
- **[L7]** Ikon för energisparläge
- **[L8]** Celsius-ikon
- **[L9]** Fahrenheit-ikon
- **[L10]** Ikon för lägre temperaturzon
- **[L11]** Ikon för övre temperaturzon

# ANVÄNDNING

## PÅ/AV-KNAPP

Används för att sätta på och stänga av apparaten. Tryck **[K1]** i 3 sekunder för att slå på/stänga av apparaten. När den stängs av kopplas apparaten bort från alla externa strömkällor och går in i standby-läge. I frånkopplat läge blinkar knappen **[K1]** varannan sekund när dörren är öppen.

## AKTIVERA/INAKTIVERA BARNLÅSET

Barnlåsfunktionen är till för att förhindra att barn ändrar apparatens inställningar. Tryck på knappen **[K3]** i 3 sekunder för att låsa/låsa upp kontrollpanelen.

När barnlåset är aktiverat tänds skåpikonen på den digitala skärmen och åtföljs av en akustisk signal för att indikera att displayen är låst. Inaktivera barnlåset för att ändra någon inställning.



### ANMÄRKNING

Varje gång strömmen återställs kommer systemet automatiskt att återgå till olåst läge.

## KNAPPAR FÖR JUSTERING AV TEMPERATUR

För att ändra temperaturen i vinkylen väljer du först den övre eller nedre zonen med knappen **[K6]**; respektive **[L11]** eller **[L10]** ikoner för den valda zonen börjar blinka på displayen. Tryck på knappen **[K4]** för att öka temperaturvärdet med 1 grad för varje tryckning. Tryck på knappen **[K5]** för att sänka temperaturvärdet med 1 grad för varje tryckning. Temperaturen kan ställas in från 5°C (41°F) till 12°C (54°F) i den övre zonen och från 12°C (54°F) till 20°C (68°F) i den nedre zonen, vilket gör den övre zonen idealisk för vita viner och den nedre för röda viner. Temperaturen är inställd när temperaturerna slutar blinka efter 5 sekunder och kylan avger ett ljud.



### ANMÄRKNING

När du ändrar temperaturen i zonerna kommer displayerna omedelbart att visa de valda temperaturerna i zonerna. De faktiska temperaturerna i zonerna kommer gradvis att ändras tills de önskade inställda temperaturerna har uppnåtts. Apparaten behöver lite tid för att nå de nya, inställda temperaturerna: detta är normalt.



### ANMÄRKNING

När kompressorn körs för kylning visas en snöflinga på displayen och en, eller båda, av ikonerna **[L11]** eller **[L10]** som representerar de två temperaturzonerna blinkar för att indikera att den eller de zonerna kyls ned.

Den övre temperaturzonen möjliggör två sätt för att förvara vin vid olika temperaturintervall, i enlighet med tabellen nedan.

TEMPERATURZON	TYP AV VIN	STANDARDIN-STÄLLNING FÖR TEMPERATUR	TEMPERATUROM-RÅDE°C	TEMPERATUROMRÅDE °F
Övre zon	Läge för mousserande vin ( <b>L1-ikon</b> )	5	5-8	41-47
Övre zon	Läge för vitt vin ( <b>L2-ikon</b> )	9	9-12	48-54
Nedre zon	Läge för rött vin	12	12-20	54-68

# ANVÄNDNING

---

## UNDERHÅLLNINGSLÄGE

Tändningen och släckningen av LED-lamporna beror på dörrens öppning/stängning. När dörren öppnas tänds lamporna automatiskt. När dörren stängs slocknar lamporna för att spara energi.

Tryck på knappen **[K2]** för att aktivera underhållningsläget och hålla lampan tänd även när dörren är stängd. Varje gång du trycker på knappen hörs en ljudsignal.



### ANMÄRKNING

Om kylan stängs av medan underhållningsläget är aktivt kommer underhållningsläget att förbli aktiverat när kylan slås på igen.

## VAL AV CELSIUS ELLER FAHRENHEIT

För att växla mellan Celsius och Fahrenheit, tryck på knapparna **[K4]** + **[K5]** samtidigt i 3 sekunder medan vinkylaren är i låst läge. Efter ett pip-ljud ändras temperaturvisningen från °C till °F. Celsius är inställt som fabriksstandard.

## UTSTÄLLNINGSLÄGE

I olåst läge trycker du samtidigt på knapparna **[K2]** + **[K6]** i 5 sekunder för att aktivera funktionen.

Detta läge används när kylskåpet är på display i en affär eller om du vill stänga av kylningen och inaktivera alla andra funktioner utom den invändiga belysningen. När den är aktiverad efter en ljudsignal visas showroom-ikonen **[L6]** på displayen (beroende på modell). Tryck **[K2]** + **[K6]** samtidigt för att avaktivera showroom-läget när som helst.



### ANMÄRKNING

Förvara inga föremål i utställningsläge eftersom apparaten då håller rumstemperatur. Om kylaren stängs av medan showroom-läget är aktivt kommer showroom-läget att förbli aktiverat när kylaren slås på igen.

## SHABBAT MODE

Tryck samtidigt på knapparna **[K5]** och **[K6]** i 3 sekunder för att aktivera/avaktivera funktionen. När Sabbatläget är aktiverat är alla lampor, ljudsignaler och digitala displayer avstängda. Kompressorn och fläkten fortsätter att arbeta normalt. Läget inaktiveras automatiskt efter 36 driftstimmar. Om enheten stängs av bibehålls inte statusen. Tryck samtidigt på knapparna **[K5]** och **[K6]** i 3 sekunder för att när som helst avaktivera Shabbat-läget. I Shabbat-läget tänds displayen och knapparna när du trycker på valfri knapp, och lamporna släcks efter 5 sekunder utan användning.

## ENERGISPARLÄGE

I låst läge (med upplysta knappar och display) trycker du på knappen **[K2]** i 3 sekunder. Efter en ljudsignal tänds energisparikonen **[L7]**, knappbelysningen släcks och endast den digitala displayen förblir tänd. När alla knappar är släckta och du trycker kort på en knapp tänds knappbelysningen i 5 sekunder innan den släcks igen.

Om du trycker på **[K2]** igen i 3 sekunder stängs den digitala displayen av. I helt avstängt läge aktiverar varje knapptryckning både knapplampan och displayen i 5 sekunder. Om du trycker på **[K2]** i 3 sekunder en tredje gång återställs läget "alltid på" och energisparsymbolen stängs av.

## LARM FÖR ÖPPEN DÖRR

Om dörren till vinkylaren förblir öppen i mer än 3 minuter börjar lamporna blinka tillsammans med ett ljudlarm och kompressorn stannar. Tryck på valfri knapp utom strömbrytaren för att stoppa ljudet och återställa displayfunktionerna; detta återställer timern. Stäng dörren för att förhindra att temperaturen ökar alltför mycket.



## VARNING

Koppla alltid bort apparaten från strömförande nät innan du utför rengöring eller underhållsinsgrepp.

## UTBYTE AV LYSDIODER - INSTRUKTIONER

För att ge optimal invändig belysning belyser LED-banden apparaten från ovan och uppsättningar av LED-lampor belyser direkt olika områden.

Vid funktionsfel och/eller förslitning hos belysningssystemet bör reparation utföras av en kvalificerad servicetekniker.

## RENGÖRING AV INRE YTOR

För att rengöra vinkylens invändigt, öppna dörren och avlägsna hyllorna. Torka av enhetens insida med en ren duk och ett mildt rengöringsmedel, eller med en mjuk svamp och en lösning av bikarbonat av soda och ljummet vatten. Använd inte slipande produkter eller rengöringsmedel. Efter rengöring, skölj och torka noggrant.

Rengör trähyllorna med en mjuk, lätt fuktig duk. Undvik att använda såpa, rengöringsmedel och/eller svampar som kan skada både trä- och stålytor. Torka noga hyllorna innan de sätts tillbaka i vinkylens.



## VARNING

Använd inte ättika/vinäger, alkohol eller alkoholbaserat rengöringsmedel på de inre ytorna.

Om apparaten inte ska användas under en längre tidsperiod ska den kopplas bort från strömförande nät och rengöras grundligt. Dörrarna ska lämnas på glänt för att undvika att det bildas mögel och obehagliga lukter.

## UPPTINING

Vinkylens har ett automatiskt avfrostningssystem. Vid kallare inställningar kan dock lite frost bildas. Dessutom: ju fuktigare omgivningsförhållandena är, desto mer frost kan bildas. Håll dörren stängd så mycket som möjligt och undvik att öppna dörren i onödan för att minimera bildningen av frost.

Om frost hindrar dörren från att stängas ordentligt kan du stänga av enheten tills frosten smälter (kanske upp till 24 timmar). Använd en mjuk, absorberande duk för att torka av enheten.



## VARNING

Skada inte köldmedelsledningarna.

## BULLER OCH INNEBÖRD

Denna vinkyl kan avge vissa normala ljud under drift.

Hårda ytor såsom golv och väggar kan få ljud att låta högre än vad de faktiskt är.

I listan nedan finner du de vanligaste ljuden och deras orsaker:

- skramlande: på grund av flödet av köldmedel eller föremål placerade ovanpå apparaten.
- höga ljud eller ljud med hög tonhöjd: den högeffektiva kompressorn kan avge ljud på grund av normal drift.
- stänkande ljud: på grund av vatten som flödar från evaporatorn till vattenbehållaren.
- gurglande ljud: köldmedel som flödar in i apparaten.
- luftljud: luft kan höras bli tryckt över kondensorn av kondensorfläkten.

## STRÖMAVBROTT

De flesta strömavbrott löses inom några få timmar och bör inte påverka temperaturen i apparaten om antalet gånger dörren öppnas minimeras. Om strömavbrottet fortsätter under en längre tidsperiod måste lämpliga åtgärder vidtas för att skydda innehållet i din apparat.

# FELSÖKNING

Om du har problem med din apparat, gå igenom detta felsökningsavsnitt innan du kontaktar Kundservice.

## Om apparaten inte fungerar, kontrollera:

- Att apparaten är strömförsörd.
- Att alla säkringar i hemmet är hela och säkringen i själva kontakten är hel.
- Att apparaten har inte stängts av.
- Att vägguttaget fungerar korrekt. För att kontrollera detta, anslut en annan apparat till vägguttaget för att se om det är fel på vägguttaget.

## Om apparaten fungerar, men inte särskilt bra, kontrollera:

- Att apparaten inte är överbelastad.
- Rumstemperaturen överstiger inte den optimala driftstemperaturen för vinkylan.
- Att termostaten är inställd på korrekt temperatur.
- Att dörrarna stänger ordentligt.
- Att kylsystemet på apparatens baksida är ren och fri från damm och inte rör vid väggen bakom.
- Att det finns tillräcklig ventilation runt sidoväggen och baksidans vägg.

## Om apparaten inte är tillräckligt kall, kontrollera att:

- Temperaturen inte är för högt inställd.
- Apparaten inte är installerad intill en värmekälla.
- Dörren inte öppnas för ofta eller under för långa tidsperioder.
- Dörrpackningen tätar ordentligt.
- Apparaten inte är ställd i demoläge.
- Apparaten har tillräcklig ventilation och se till att den är installerad enligt installationskraven som specificeras i denna handbok.

## Om apparaten bullrar, kontrollera:

- Att apparaten står jämnt och stabilt.
- Hyllorna är korrekt placerade i apparaten.
- Rumstemperaturen är högre än normalt.
- Dörrpackningen är korrekt tätad.
- Dörren inte öppnas för ofta eller under för långa tidsperioder.
- Apparaten har tillräcklig ventilation och se till att den är installerad enligt installationskraven som specificeras i denna handbok.



## ANMÄRKNING

Kylmediet i kylskåpet kan ibland göra bubblande eller gurglande ljud, även då kompressorn inte är påslagen.



## ANMÄRKNING

Vissa poppande eller knakande ljud är normala. De orsakas av expansion och kontraktion av innerväggarna på grund av temperaturförändringar.

## Om dörren inte går att stänga ordentligt, kontrollera att:

- Att apparaten står jämnt och stabilt.
- Dörrens gångjärn är inte lösa.
- Dörrpackningen är inte smutsig eller lös.
- Hyllorna är korrekt placerade i apparaten.

## Om apparaten piper, kontrollera:

- Att dörrarna är stängda. Ett larm utlöses när en dörr har varit öppen i 3 minuter.

## Om frost har bildats i apparaten:

- Miljön är för fuktig.
- Rumstemperaturen är för låg.
- Dörren öppnas för ofta.
- Enheten har ett automatiskt avfrostningssystem, men under vissa förhållanden kan manuell avfrostning krävas. Om frost bildas regelbundet, prova med att köra kylan vid en varmare temperaturinställning, minimera antalet dörröppningar eller koppla loss enheten från eluttaget för att låta frosten smälta.
- Kontrollera dörrens tätningsslist om den fått skador, skräpansamling eller annat. Om du ser något ovanligt, och inte kan lösa problemet på egen hand, kontakta Kundservice för utbyte av tätningsslisten.
- Detta kan bero på att inbyggnadsskåpets dörr (-ar) inte monterats korrekt. Om du har minsta tvivel, be din installatör att titta på inbyggnadsskåpets dörrar.

## Om en eller flera lysdiodenheter inuti apparaten inte fungerar:

- Kontrollera att belysningen inte har stängts av med hjälp av lämplig displayknapp.
- Kontrollera att det finns en strömanslutning.
- Kontrollera att uttagets krets eller säkring inte är skadad.
- Kontakta Kundservice för att boka ett servicebesök.

## Om apparatens hölje är strömförande:

- Enheten är inte korrekt jordad. Kontakta din elektriker för att testa ditt elektriska jordningssystem.

# FELKODER

När en felfunktion uppstår, kontakta en servicetekniker för reparationer.

FÖRKLARING	KRETSKOD
Kortslutning av sensorn för omgivningstemperatur	HH
Sensor för omgivningstemperatur Öppen krets	LL
Larm för hög temperatur	25/77
Övre temperaturzon Larm för låg temperatur	2
Lägre temperaturzon Larm för låg temperatur	5
Kortslutning för sensorn för omgivningstemperatur	1H
Öppen krets för sensorn för omgivningstemperatur	1L



## ANMÄRKNING

Om det finns en felkod visas felkoden på displayen och summern avger ett larm.

Om du vill stänga av larmljudet, tryck på På/Av-knappen.



## ANMÄRKNING

Om displayfönstret visar "HH" eller "LL" tillsammans med ett kontinuerligt "pip"-ljud är temperaturgivaren ur funktion. Kontakta omedelbart en fackman för reparation.

### 1) Larm för hög temperatur:

- Larmet aktiveras om något av följande villkor är uppfyllda (bedöms separat för varje temperaturzon):
  - Zontemperatur  $\geq 25^{\circ}\text{C}$  i över tre timmar.
- Larmets egenskaper: LED-belysningen och den digitala skärmdisplayen  $25^{\circ}\text{C}$  eller  $77^{\circ}\text{F}$  blinkar samtidigt, summern larmar, med en blinkfrekvens på 1 gång var tredje sekund.
- Automatisk larmutgång kräver att alla följande villkor uppfylls: Zontemperatur  $< 25^{\circ}\text{C}$  Varaktighet  $\geq 1$  min
- Belastningsegenskaper under larmet: alla belastningar påverkas inte av larmet och fungerar enligt de aktuella temperaturförhållandena

### 2) Larm för låg temperatur:

- Larmet aktiveras om något av följande villkor är uppfyllda (bedöms separat för varje temperaturzon):
  - Övre temperaturzonens temperatur  $\leq 2^{\circ}\text{C}$ , föreligger i 30 minuter.
  - Lägre temperatur zontemperatur  $\leq 5^{\circ}\text{C}$ , föreligger i 30 minuter
- Larmets egenskaper: Indikatoren för låg temperatur för den övre temperaturzonen blinkar vid  $2^{\circ}\text{C}/36^{\circ}\text{F}$  och indikatoren för låg temperatur för den nedre temperaturzonen blinkar vid  $5^{\circ}\text{C}/36^{\circ}\text{F}$ . Summern larmar och LED-lamporna för belysning blinkar med en frekvens på en blinkning per halv sekund.
- Larmet upphör att gälla om något av följande villkor uppfylls (bedöms separat för varje temperaturzon):
  - Övre temperaturzon  $> 5^{\circ}\text{C}$ , varaktighet  $\geq 1$  min.
  - Lägre temperaturzon  $> 5^{\circ}\text{C}$ , varaktighet  $\geq 1$  min.



Bertazzoni är starkt engagerat i att leverera högsta kvalitet på service till sina kunder. I den mycket osannolika händelsen av att din apparat skulle ha ett fabriktionsfel, var vänlig kontakta vårt serviceteam på:

<https://SE.bertazzoni.com/more/care-service>

Där ska du lämna information om din produkt, inköpsbevis, foto av den silverfärgade typskylten och en kort beskrivning av problemet. Se till att ha denna information till hands.



[www.bertazzoni.com](http://www.bertazzoni.com)  
Via Palazzina, 8  
42016 Guastalla RE

© 2025 BERTAZZONI. All rights reserved.

RWC60B4DNRP\_v.01