

INSTALLATION MANUAL

Ovens ID SERIES

Haier

FROM **COOKING**

TO **AMAZING**

EN | IT





WELCOME

This installation manual is designed for kitchen manufacturers who will deal with these products. To ensure safety and get the best results, please read this manual carefully, including safety instructions, and keep it for future reference. Before proceeding with installation, take note of the serial number, as you may need it in case of repairs. Check for any damage during transport and consult a technician if in doubt before using. Always keep all packing material away from children.

i NOTE: Features, pictures in the manual and product accessories may vary depending on the model purchased.

Index

1	Safety warnings for installation	p. 2-3
2	Where to install the product	p.3
3	Oven dimensions	p.4-5
4	Dimensions of combinable products	p.6-13
4.1	Compact oven h45 drop down opening	
4.2	Compact oven h38 drop down opening	
4.3	Compact oven h38 side wing opening	
4.4	Warming drawer	
5	Installation tools	p.14
6	Furniture and ventilation	p.14 - 21
6.1	Precautions	
6.2	Undertop installation	
6.3	Combination with cooktop	
6.4	Corner installation	
6.5	Installation oven in column	
6.6	Installation compact oven in column	
6.7	Installation compact oven + warming drawer in column	
6.8	Drawer adjustments	
6.9	Installation oven + compact oven h45 in column	
6.10	Installation oven + compact oven h38 in column	
7	Connection to the mains	p.22 - 25
7.1	Safety warnings	
7.2	Instructions	
7.3	Other tips	
8	Instructions for Oven installation	p.26 - 31
8.1	Important warnings	
8.2	Fixing to the cabinet	
8.3	Installation step by step	
9	Delivery to the user	p.32
10	First startup	p.32
11	Disassembling the product	p.32

1 Safety warnings for installation

Observe these directions before beginning the installation of the product.

- Your safety is very important to us. Please read this information carefully before using the oven;
- Installation must be carried on by a qualified technician who must know and respect the laws in force in the country of installation and the manufacturer's instruction;
- If manufacturer service is required to eliminate faults resulting from improper installation, such service is not covered by the fix;
- Remove the packing material before operating the appliance;
- After unboxing the appliance, always check it is not damaged, in case of issue contact the customer service before installing and do not connect to the power supply;
- A damaged product can be the cause of a short circuit, electric shock, fire start and other hazards;
- Check the packaging for accessories or accompanying materials (envelopes with screws, documents, brochures, etc.) and, if so, remove and store them;
- The oven can be located high in a column or under a worktop;
- Before fixing, you must ensure good ventilation in the oven space to allow proper circulation of the fresh air required for cooling and protecting the internal parts. Make the openings specified on the illustrations according to the type of fitting. Always fix the oven to the furniture with screws provided with the appliance;
- No additional operation/setting is required in order to operate the appliance at the rated frequencies;
- The appliance must not be installed behind a decorative door in order to avoid overheating;
- If the assistance of the manufacturer is required to rectify faults arising from incorrect installation, this assistance is not covered by the guarantee. The installation instructions for professionally qualified personnel must be followed;
- Incorrect installation may cause harm or injury to people, animals or belongings. The manufacturer cannot be held responsible for such harm or injury;
- Safe use is only guaranteed if installation has been carried out properly according to these instructions. In case of damage due to improper installation, the responsibility lies with the person who installed the product;
- During installation the oven should be disconnected from the mains to avoid overheating;
- During installation do not use the oven door's handle to lift and move the oven;
- It is recommended to wear protective gloves during installation to avoid cut injuries;
- The installation furniture and the adjacent ones must withstand temperatures of 95°C;

- Warranty does not cover damage caused by improper installation;
- In case of incorrect installation, tampering with the device and improper connection, the validity of the product warranty will expire;
- Make sure that when the product's power supply cable is completed, it is not accessible;
- After assembly, the power cord must not come into contact with moving parts of kitchen components (such as a drawer) and must not be exposed to mechanical stresses;
- This product requires constant ventilation during use. Do not cover the air vents;
- When delivering the product to the end user, the technician must ensure that it has been installed correctly.

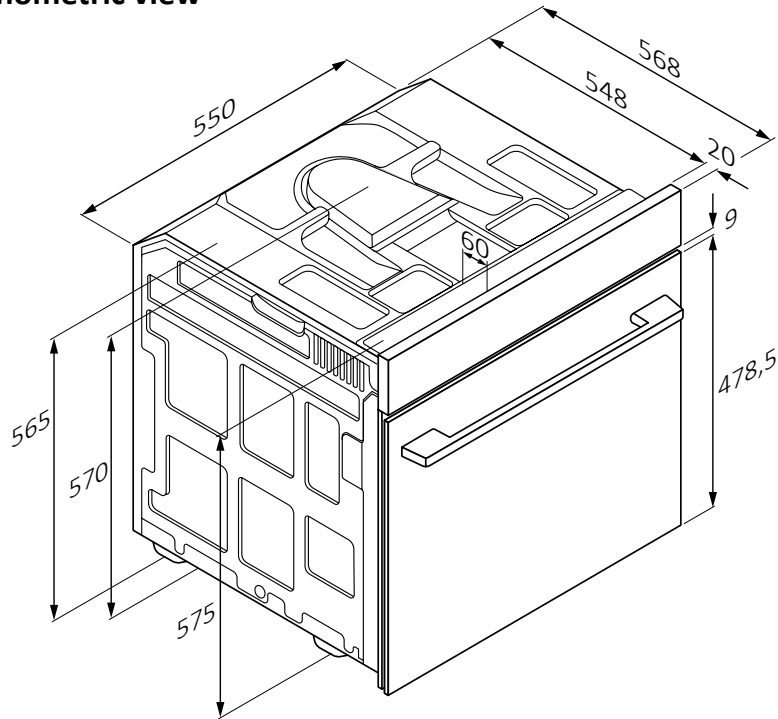
Where to install the product **2**

- Install and use this product in a closed, covered, dry and well-ventilated environment;
- Do not install the product in open environments exposed to atmospheric agents;
- This appliance is designed to be used at altitude lower than 2000m;
- Mount the product near an electrical outlet;
- Use the product only when placed in a recessed compartment, otherwise you risk injury and burns.

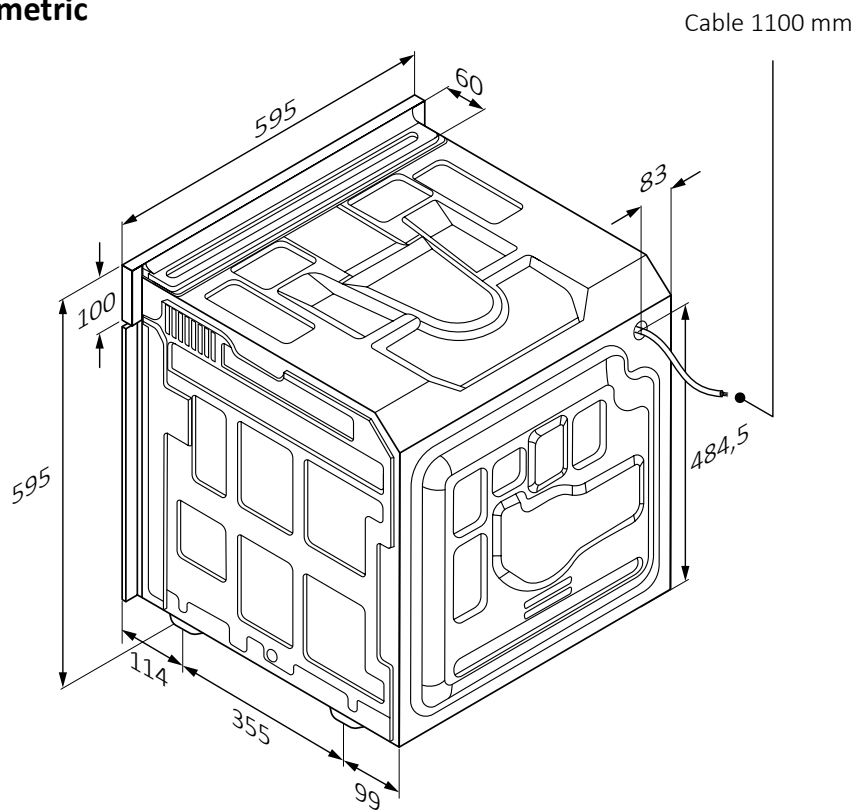
3 Oven Dimensions

Dimensions in mm

Frontal axonometric view

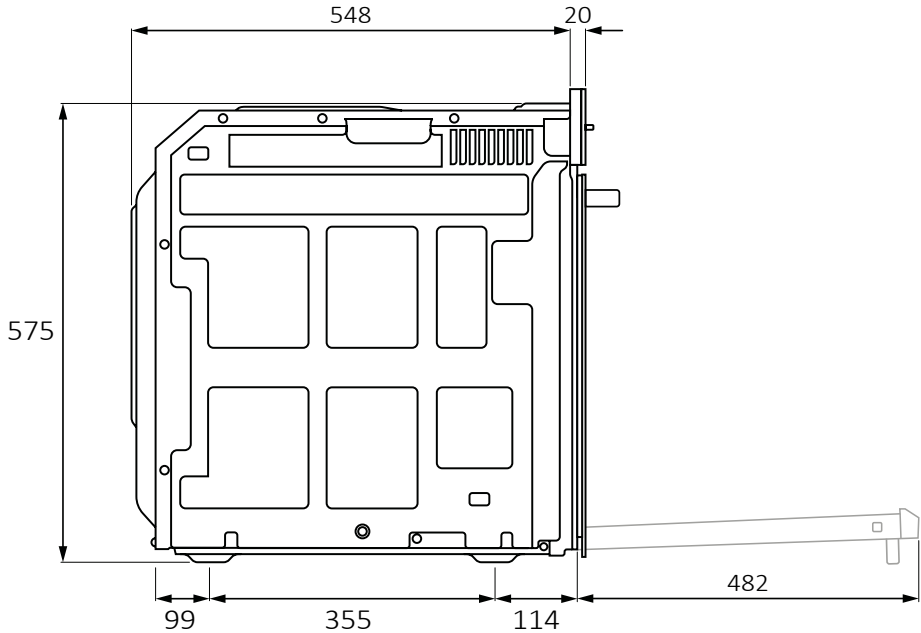


Back axonometric view

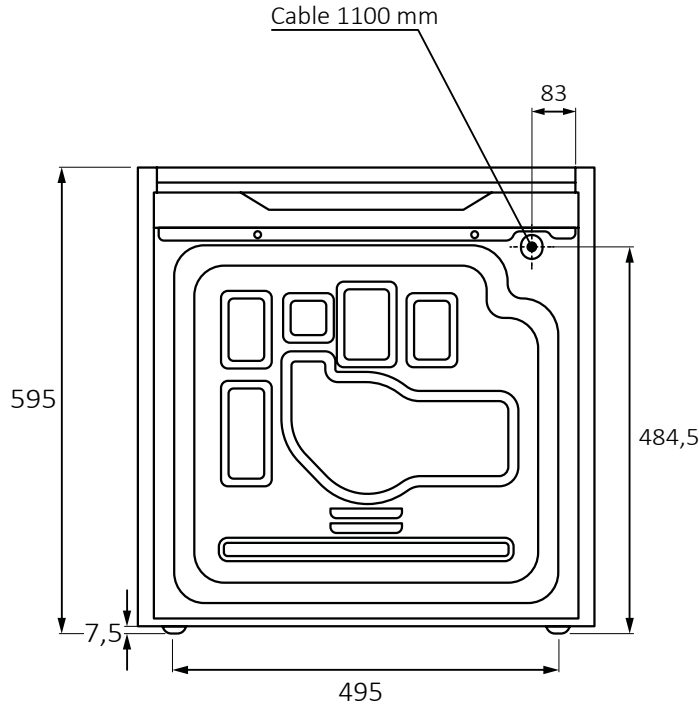


Dimensions in mm

Side view



Back view



Product codes

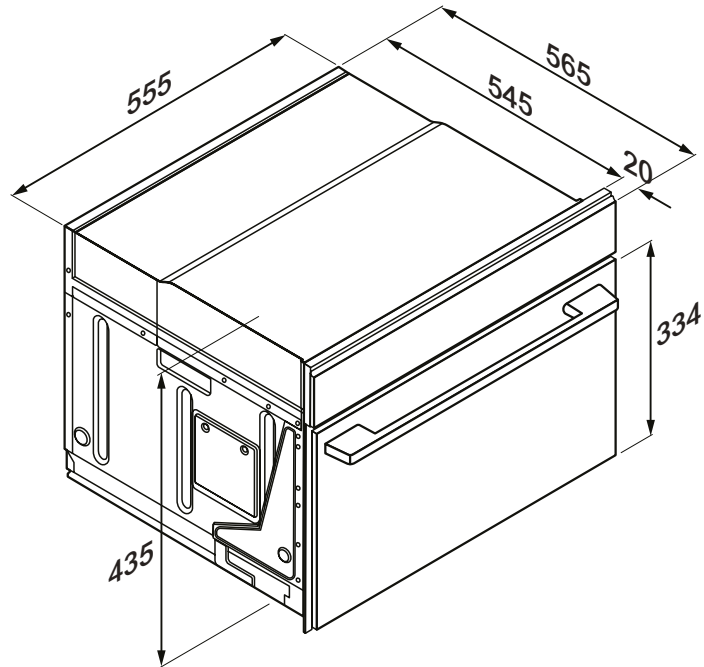
H6 ID23B3HTX	H6 ID23B4HTB	H6 ID46G5YTB	H6 ID66C3HTB	H6 ID48L5YTB	H6 ID2P5B3YTX	H6 ID68CSYTB1
H6 ID23B3YTB	H6 ID25B3LYTB	H6 ID66G5YTB	H6 ID46C3YTB	H6 ID48M5HTB	H6 ID43B3HTB	H6 ID48M5YTB1
H6 ID25B3LHTX	H6 ID25B4LYTB	H6 ID46G3SHTB	H6 ID66C3YTB	H6 ID68M5HTB	H6 ID46C3HTB1	H6 ID68M5YTB1
H6 ID25G3HTX	H6 ID46G3HTB	H6 ID46G3SYTB	H6 ID48C5HTB	H6 ID48M5YTB	H6 ID66C3HTB1	H6 ID48M5HTB1
H6 ID25G3HTB	H6 ID46G3YTB	H6 ID46G5SHTB	H6 ID48C5YTB	H6 ID68M5YTB	H6 ID46C3YTB1	H6 ID68M5HTB1
H6 ID25G3YTX	H6 ID65G3YTB	H6 ID46G5SYTB	H6 ID68C5YTB	H6 ID46B3HTB	H6 ID66C3YTB1	H6 ID2P5B3YTB1
H6 ID25G3YTB	H6 ID66G3HTB	H6 ID46R5YTB	H6 ID48C5SYTB	H6 ID2P3T1HTB	H6 ID25G3HTB1	H6 ID25G5SYTX
H6 ID25C3YTX	H6 ID46G5HTB	H6 ID46C3HTB	H6 ID68C5SYTB	H6 ID2P3T1HTX	H6 ID25G3YTB1	H6 ID66G3SHTB
H6 ID23B3HTB						

4 Dimensions of combinable products

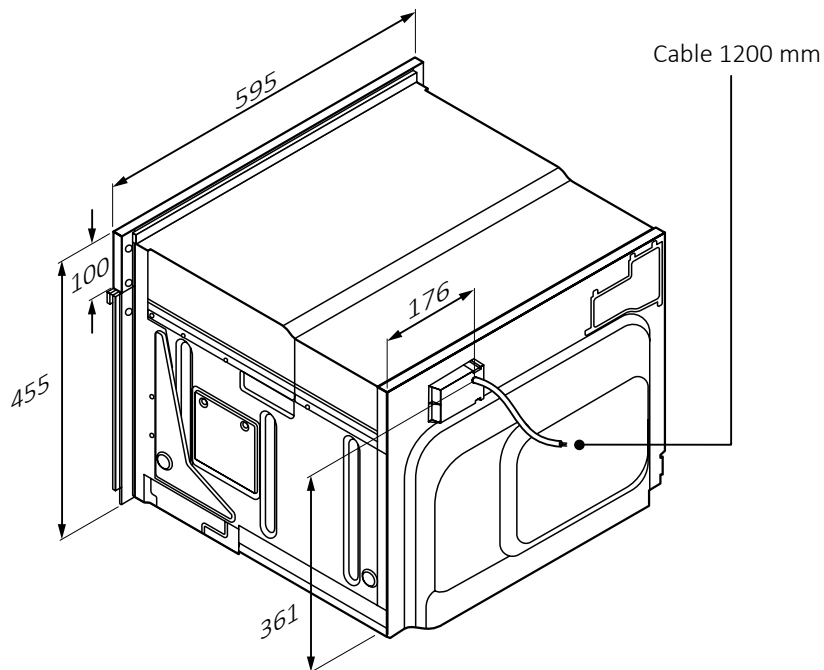
4.1 Compact oven h45 drop down opening

Dimensions in mm

Frontal axonometric view



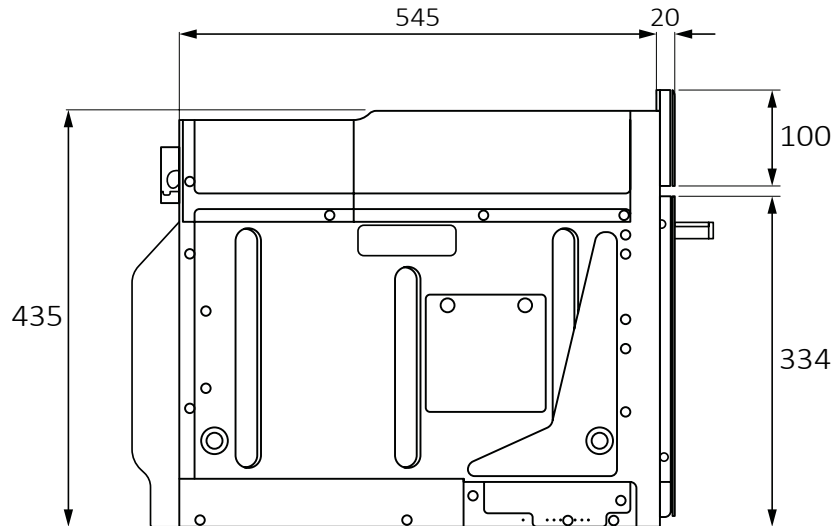
Back axonometric view



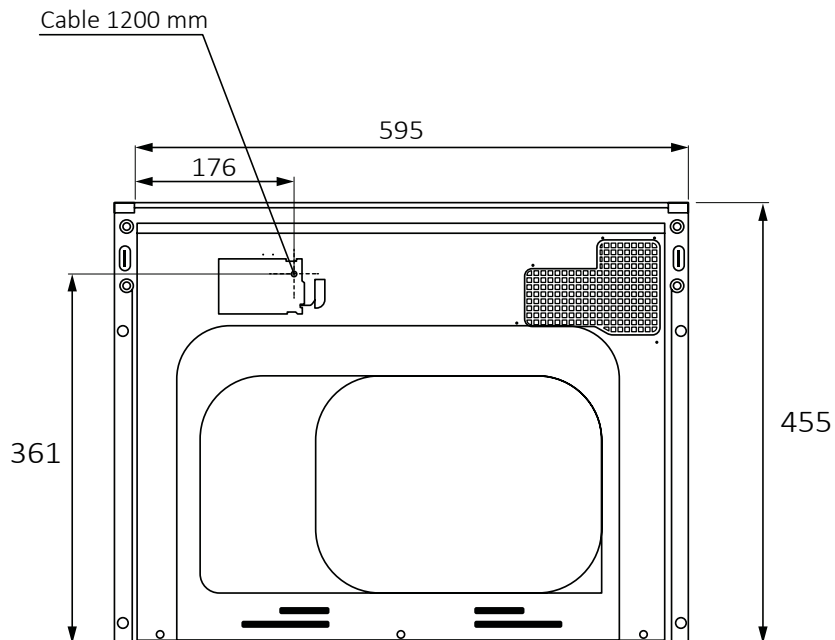
4.1 Compact oven h45 drop down opening

Dimensions in **mm**

Side view



Back view



Product codes

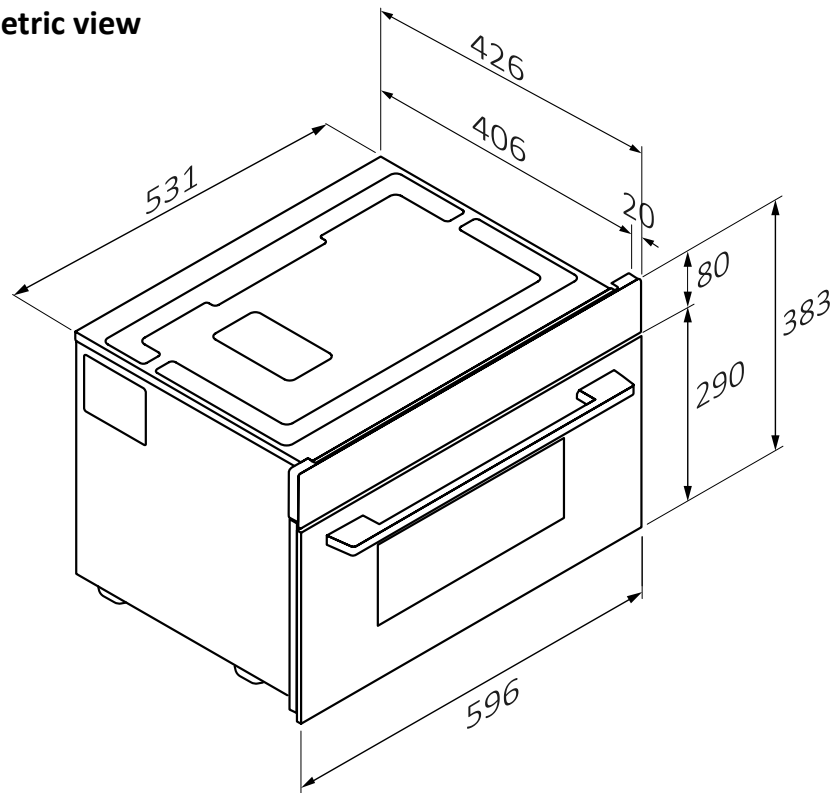
H4MWID29G6NQB H4MWID49G6NQB H4MWID69G6NQB H4MWID49C6NQB H4MWID69C6NQB H4MWID69P6NQB
H4MWID49P6NQB

4 Dimensions of combinable products

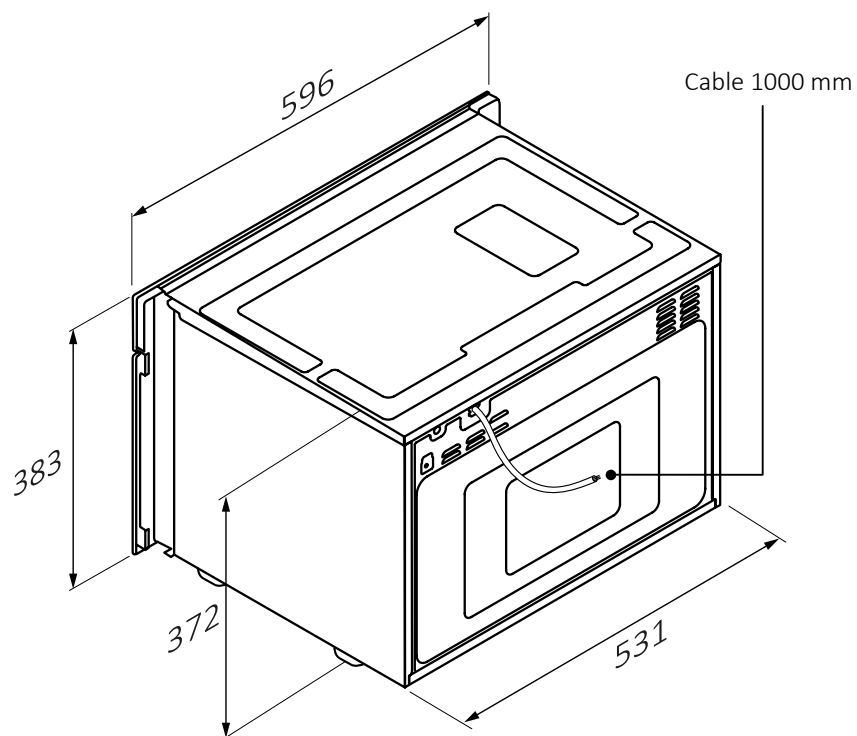
4.2 Compact oven h38 drop down opening

Dimensions in mm

Frontal axonometric view



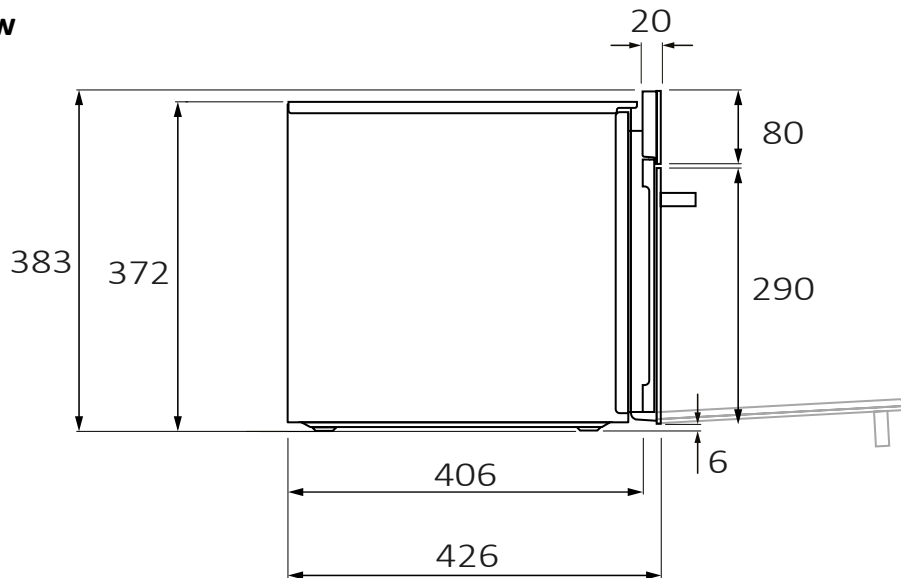
Back axonometric view



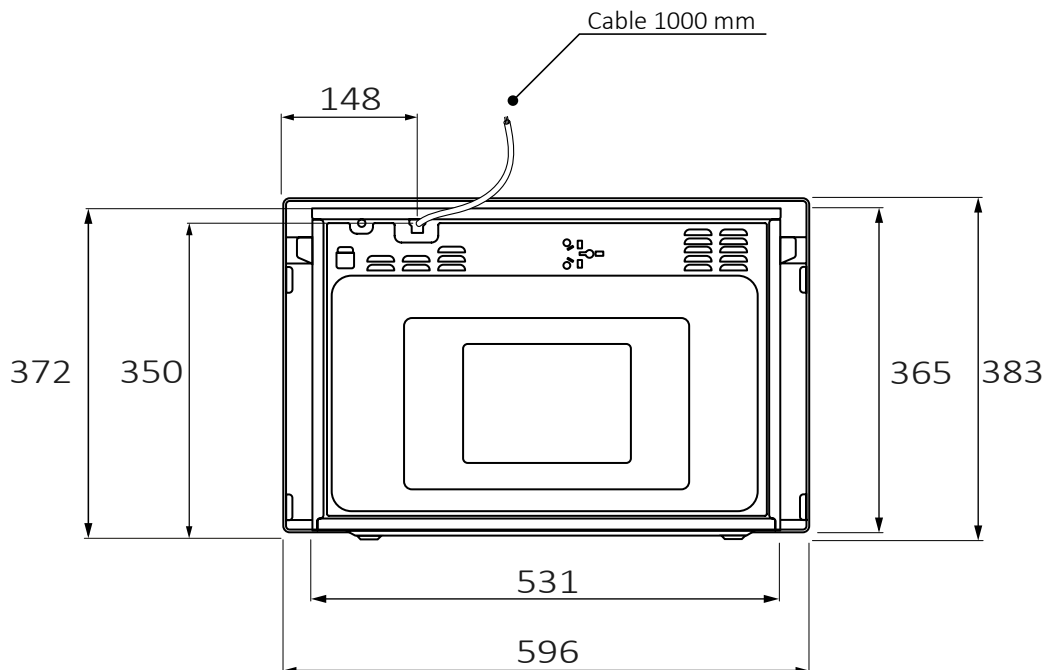
4.2 Compact oven h38 drop down opening

Dimensions in mm

Side view



Back view



Product codes

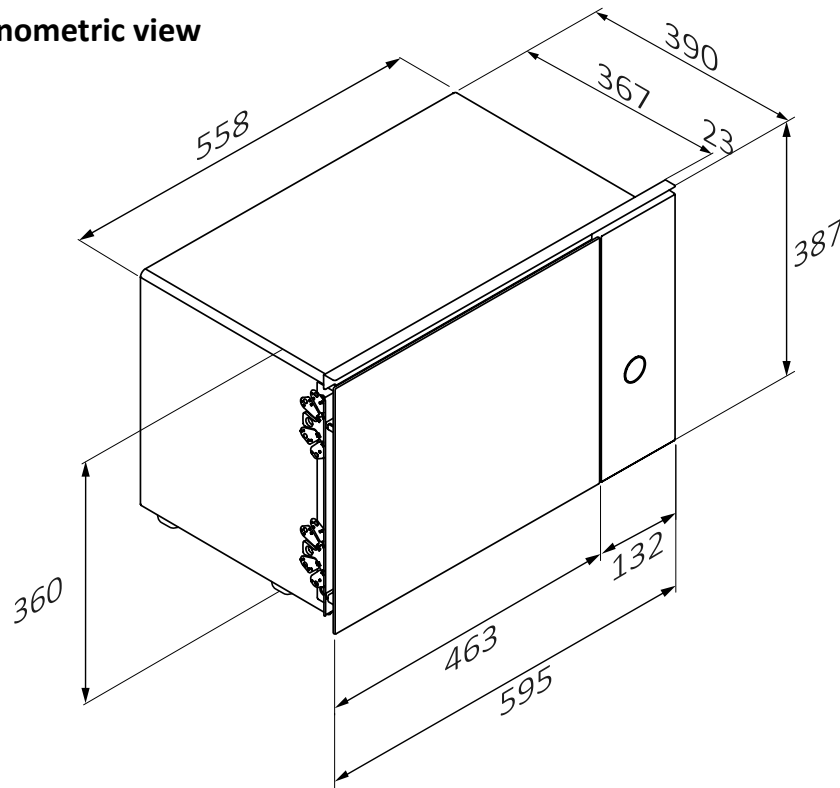
H38DMWID26NB H38DMWID26NX H38DMWID46NB

4 Dimensions of combinable products

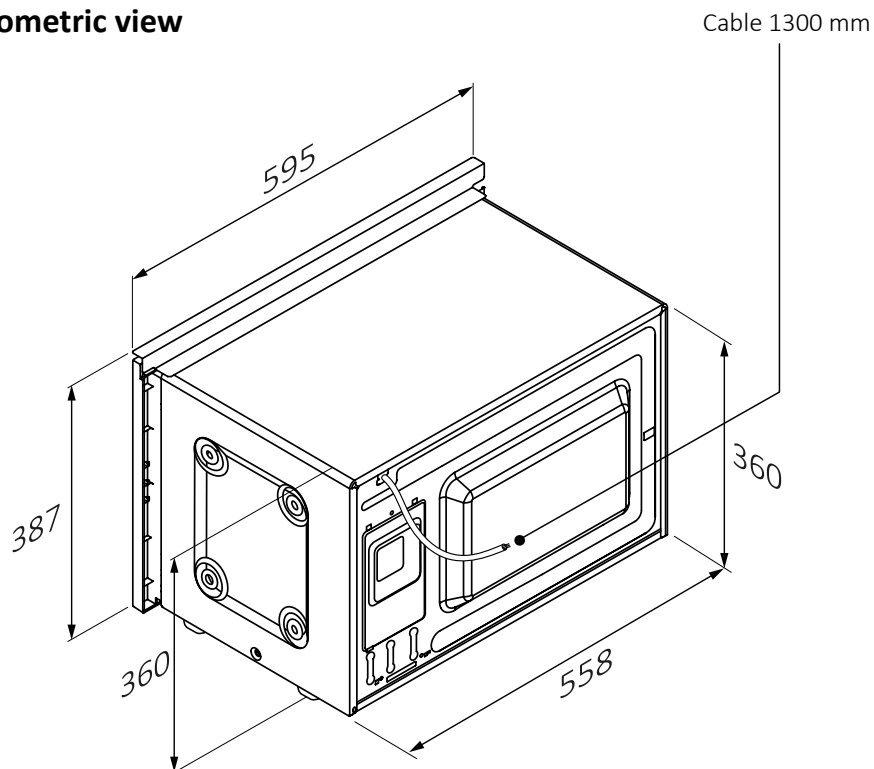
4.3 Compact oven h38 side wing opening

Dimensions in mm

Frontal axonometric view



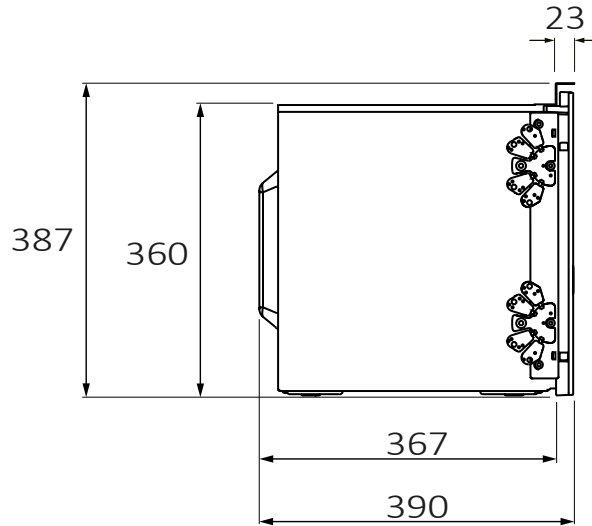
Back axonometric view



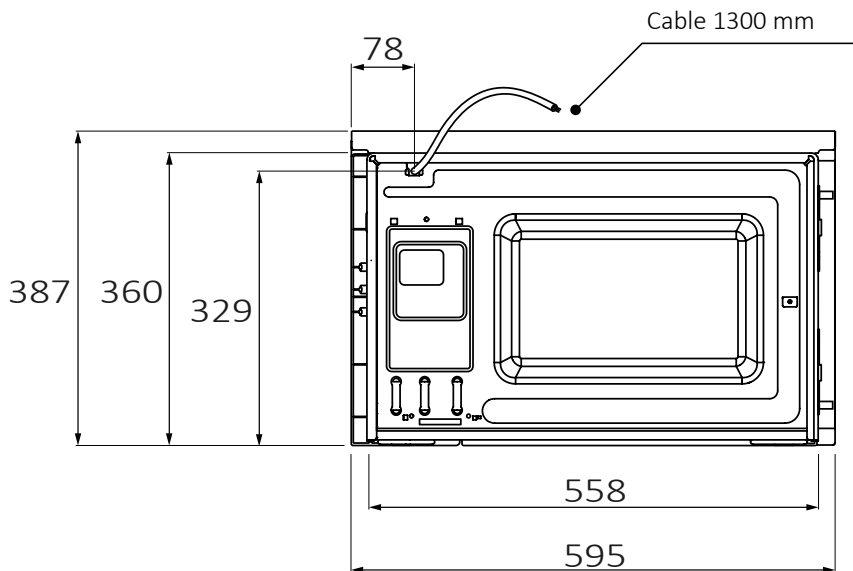
4.2 Compact oven h38 side wing opening

Dimensions in **mm**

Side view



Back view



Product codes

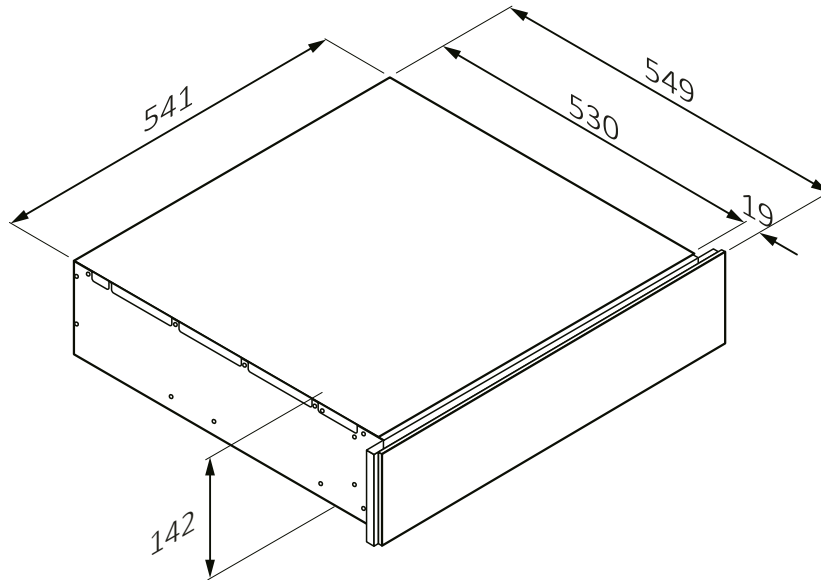
H38MWID4ID27N H38FMWID627N H38FMWID4ID27N H38FMWID2S7

4 Dimensions of combinable products

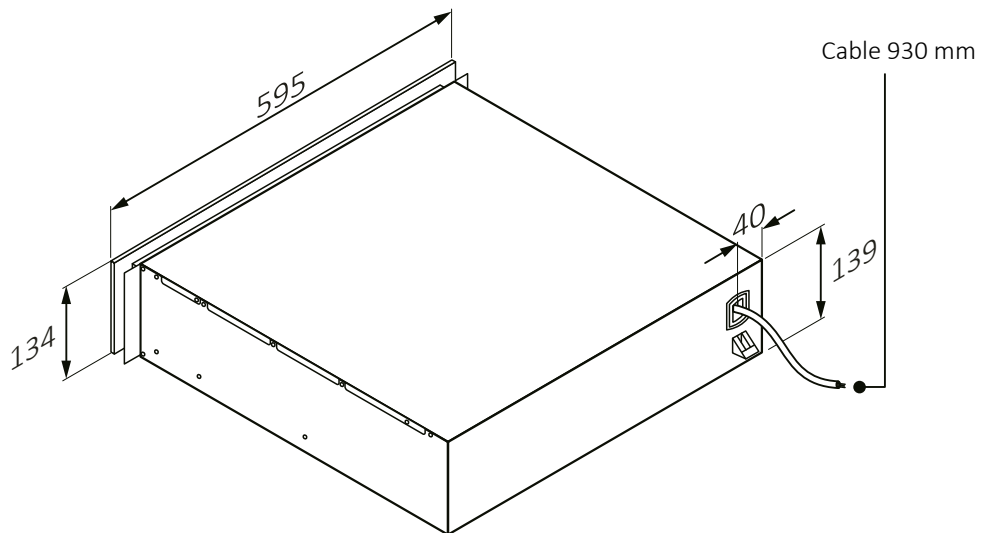
4.4 Warming drawer

Dimensions in mm

Frontal axonometric view



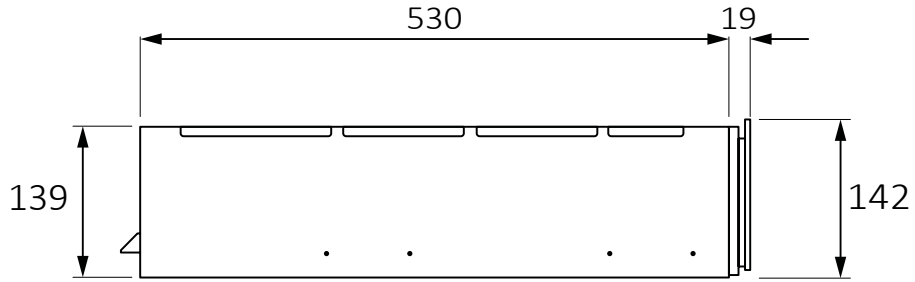
Back axonometric view



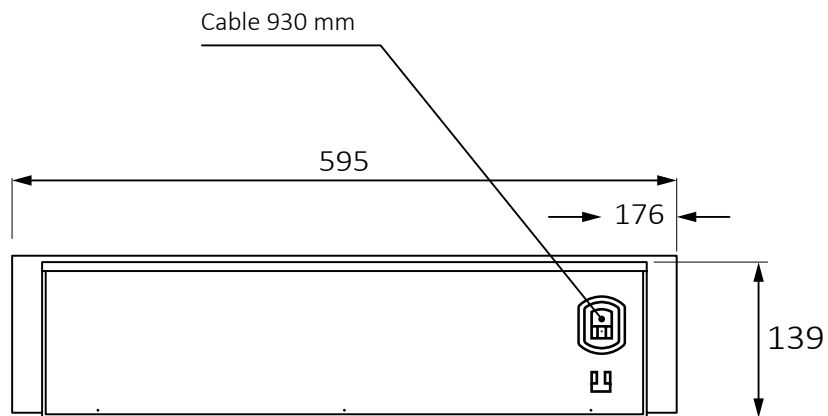
4.3 Warming drawer

Dimensions in mm

Side view



Back view



Product codes

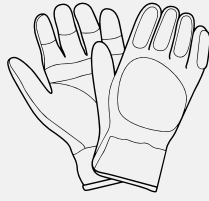
HWD14ID6E HWD14ID4E

5 Installation tools

Tools needed



cutter



gloves



screwdriver

Tools provided with the product



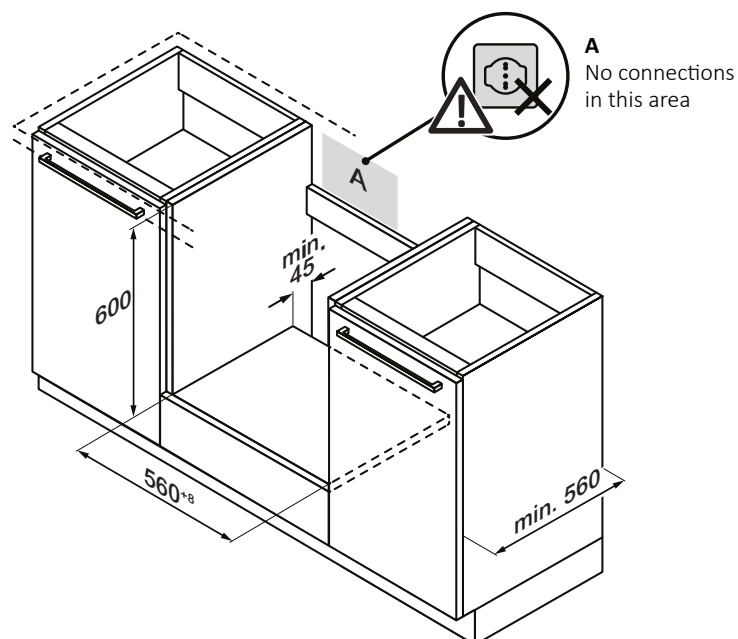
screws x2

6 Furniture and ventilation

6.1 Precautions

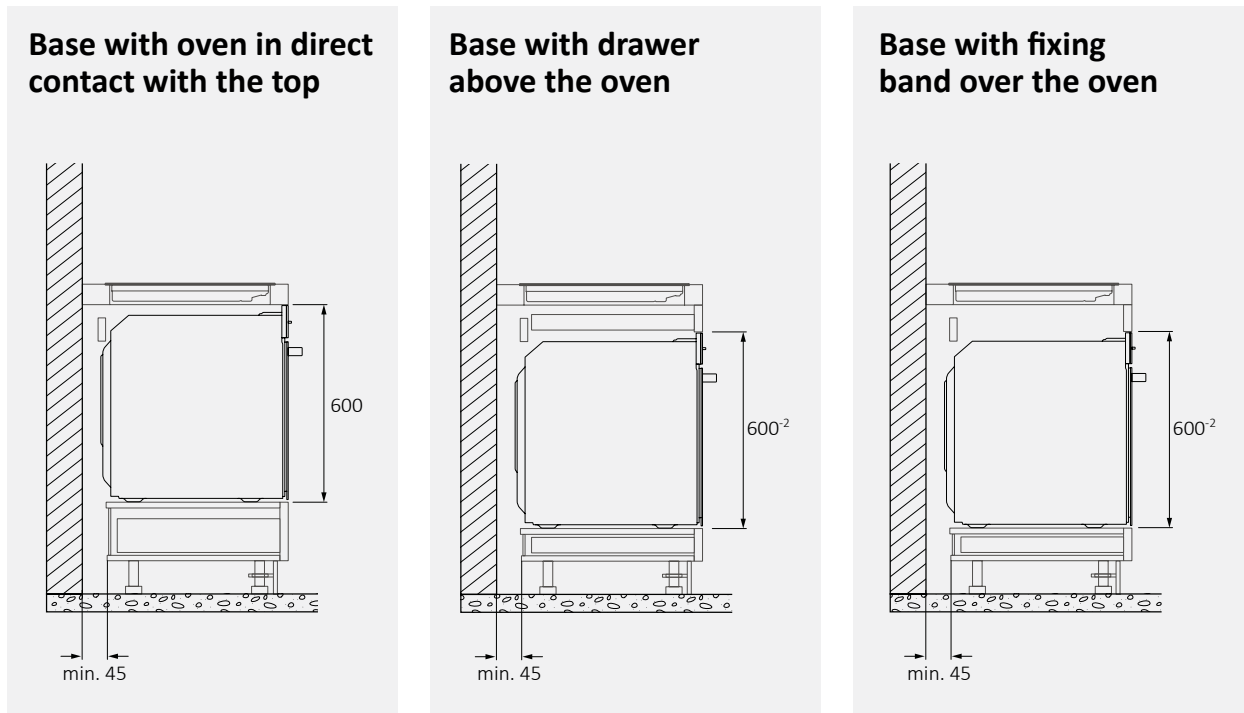
- Provide the recessed compartment without a back wall;
- Products protrude 20 mm from the cabinet edge;
- For ventilation of the product, follow the instructions in this manual;
- If the product is installed under a cooktop, also refer to the cooktop installation instructions;
- The connection socket must not be within area **A**;
- It is recommended that the cabinet be fixed to the wall to prevent tipping over;

6.2 Undertop installation



6.3 Combination with cooktop

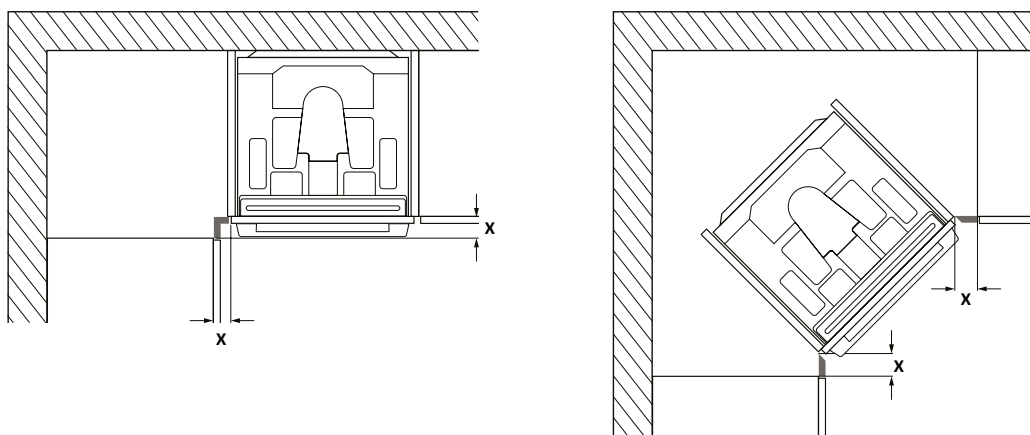
To ensure proper ventilation, also refer to the cooktop installation instructions;



6.4 Corner installation

For corner installation, observe the dimensions and flush-installation instructions;

- In order to allow the opening of the door, take into account the minimum dimensions of the corner mounting;
- The **X** measurement depends on the thickness of the cabinet front and handle.

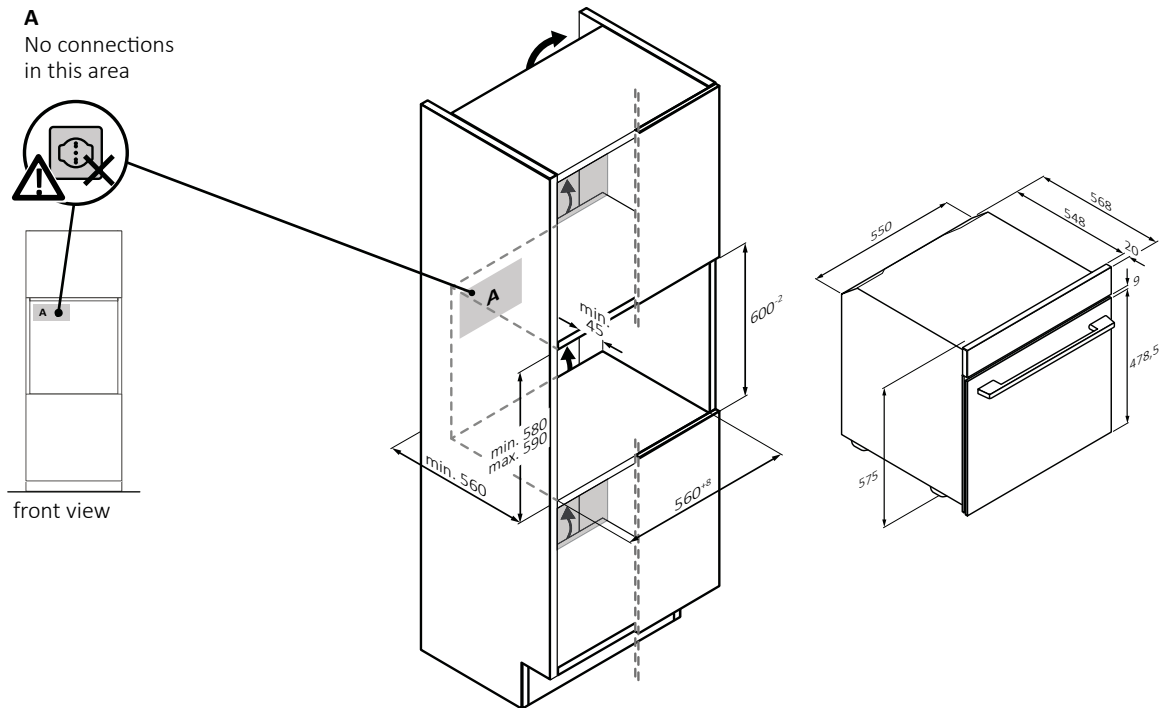


6 Furniture and ventilation

6.5 Installation oven in column

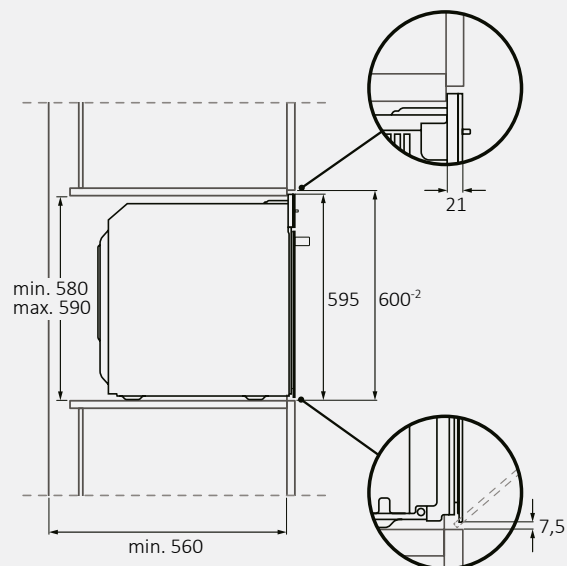
For column installation, observe the dimensions and flush-installation instructions;

- A rear slit is needed for ventilation of products;
- Pay attention that the air exchange is in accordance with the drawings below;
- Install products at a height where accessories can be easily picked up.

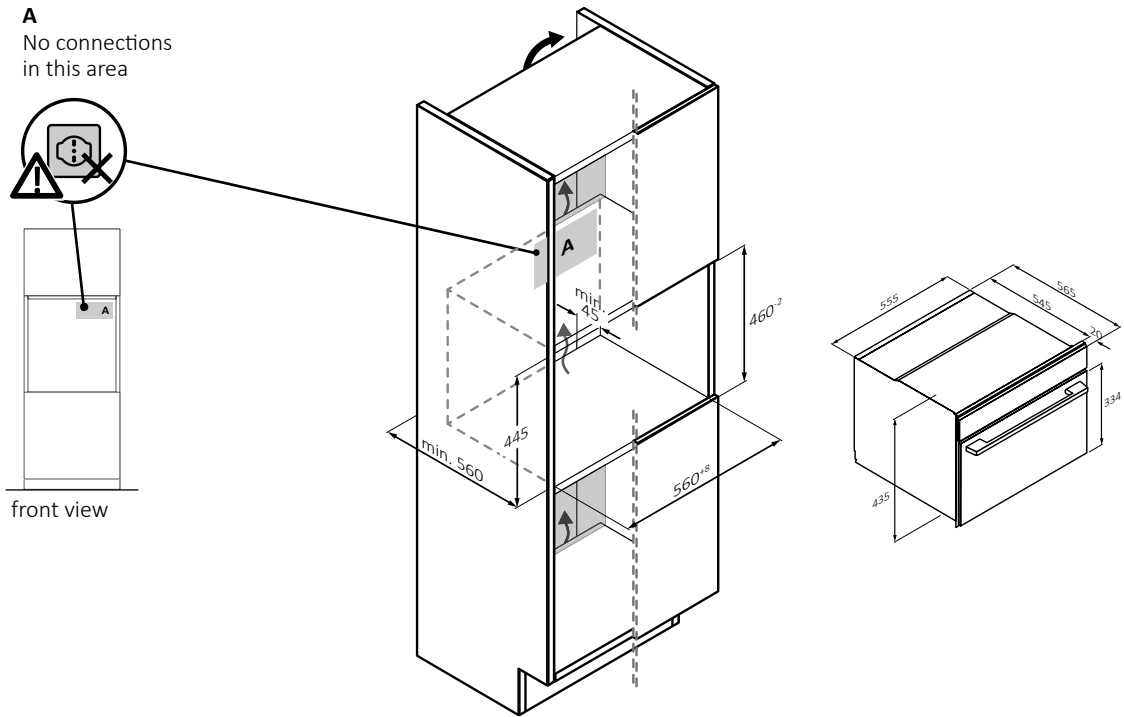


Single product

Side view

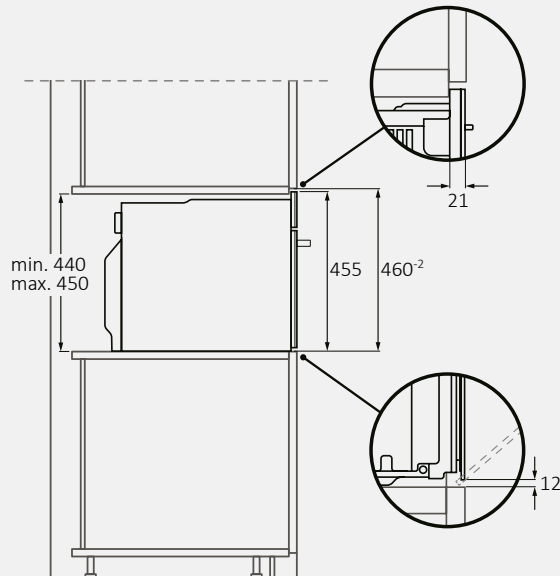


6.6 Installation compact oven in column

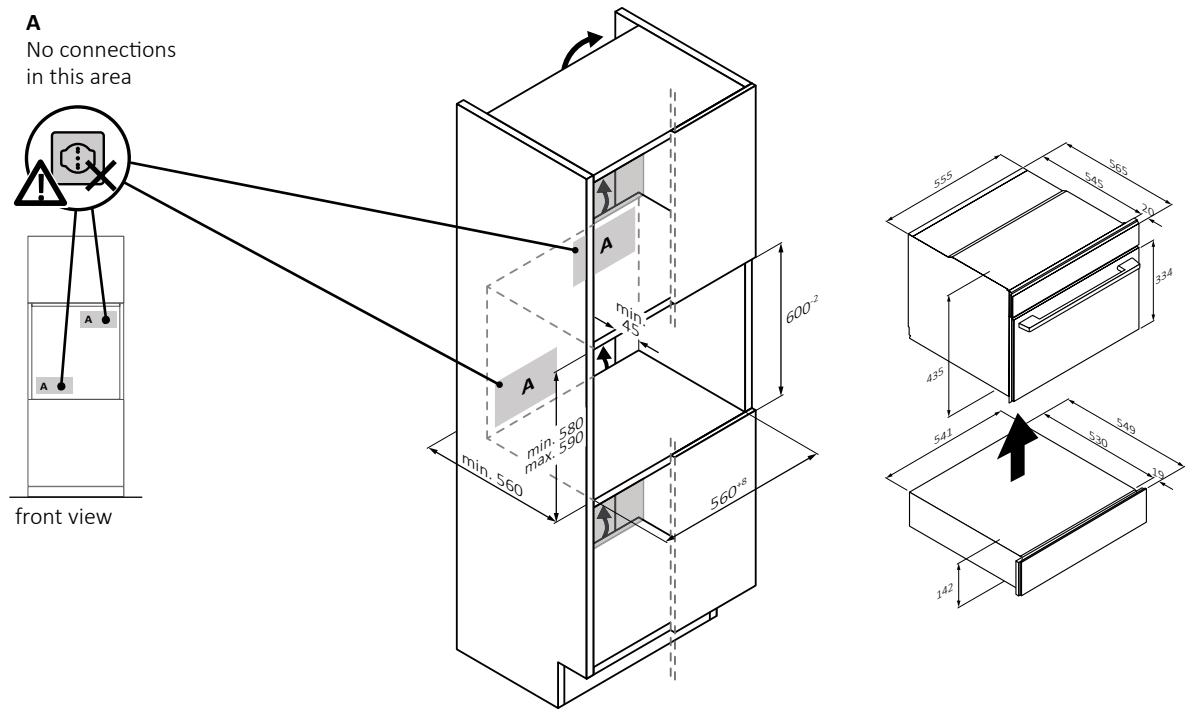


Single product

Side view

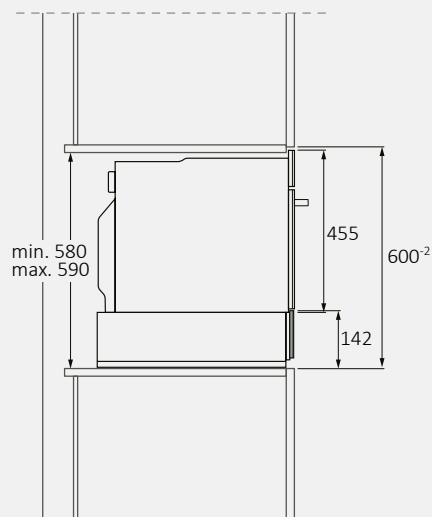


6.7 Installation compact oven + warming drawer in column



Combined products Compact oven + warming drawer

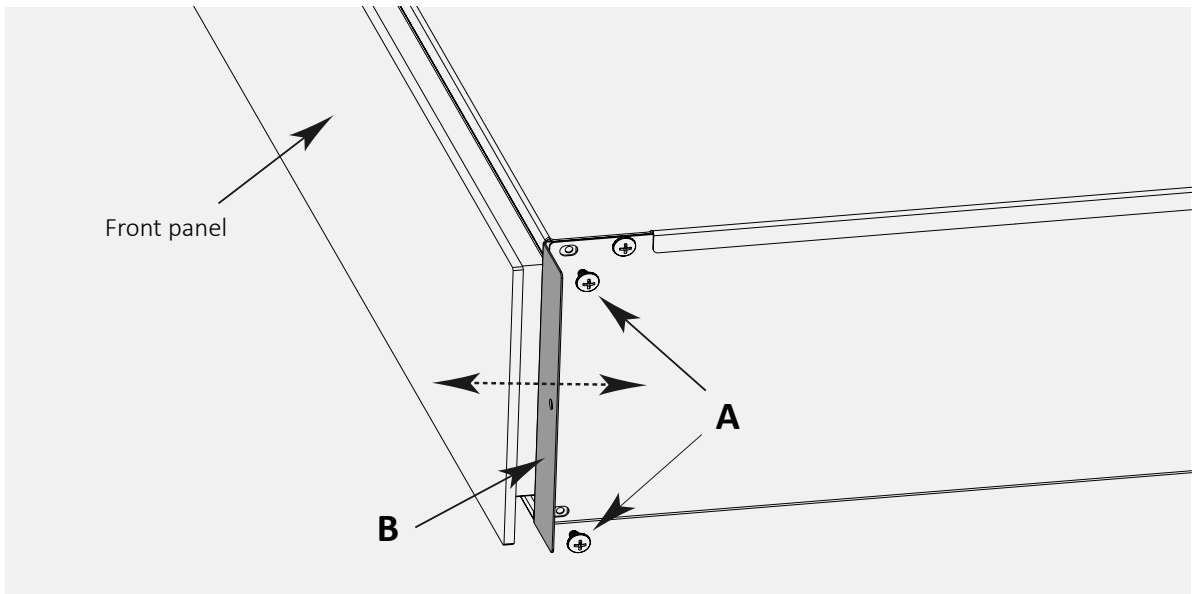
Side view



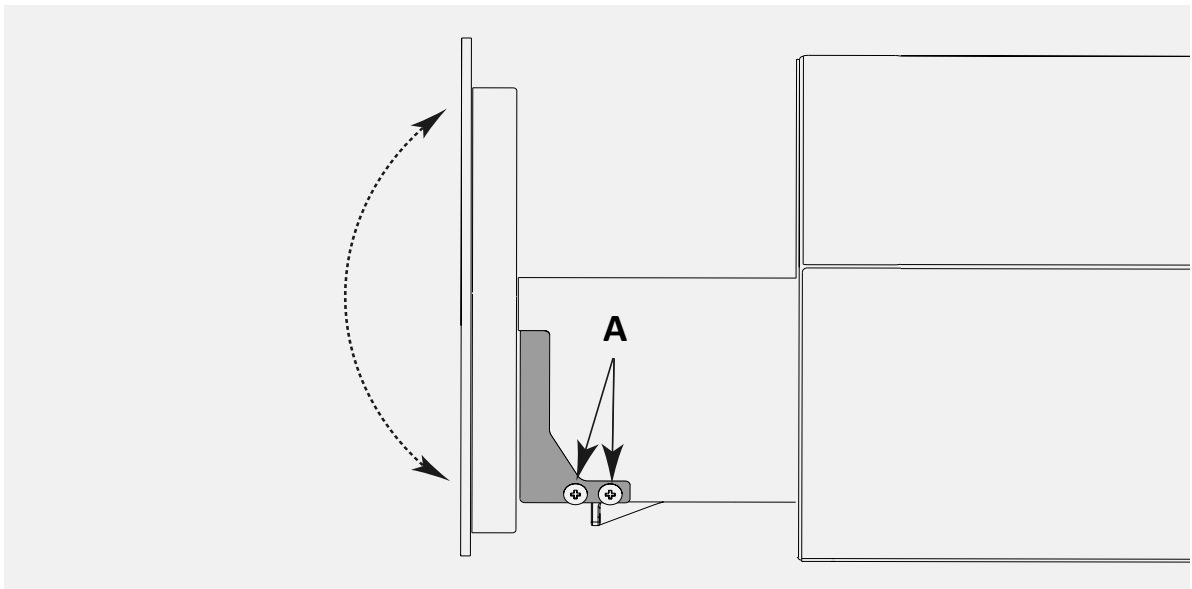
Note: The drawer front protrudes in height. Use caution during installation.

6.8 Drawer adjustments

Installation in combination with another appliance: make sure the warming drawer is aligned with the matching appliance.

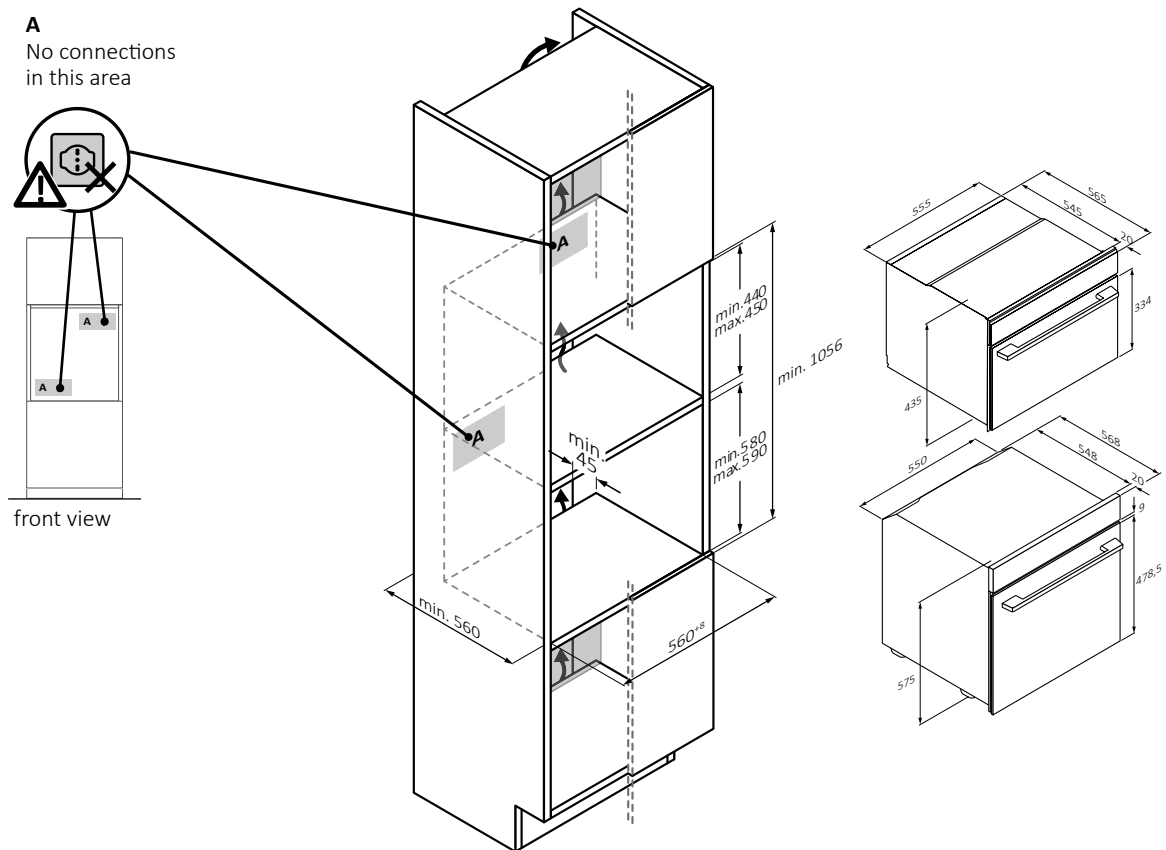


- To adjust the depth of the warming drawer, loosen screws “A” and adjust brackets “B” until the front panel is properly aligned with the matching appliance;
- Retighten screws “A” until fully secured.



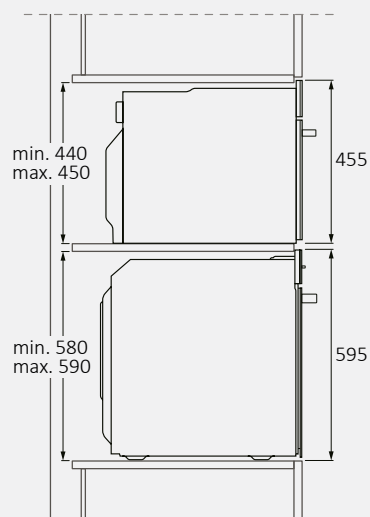
- The angle of the front panel can be adjusted after loosening screws “A”. When the panel is parallel to the cabinet and the front of the matching appliance, tighten screws “A” again until fully secured.

6.9 Installation oven + compact oven h45 in column



Combined products Oven + compact oven h45 side wing opening

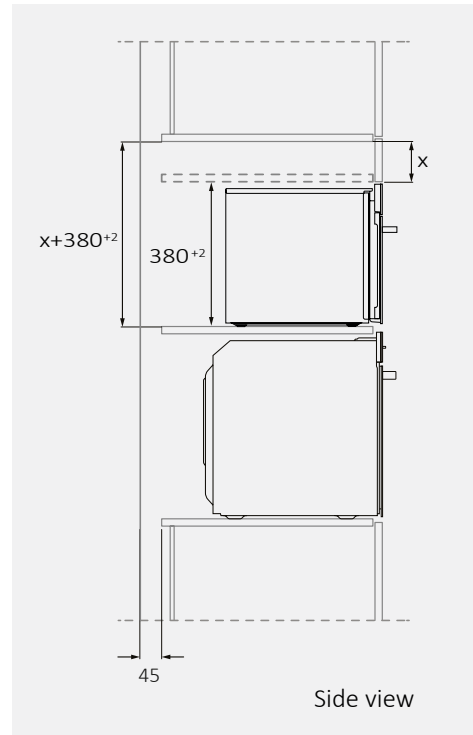
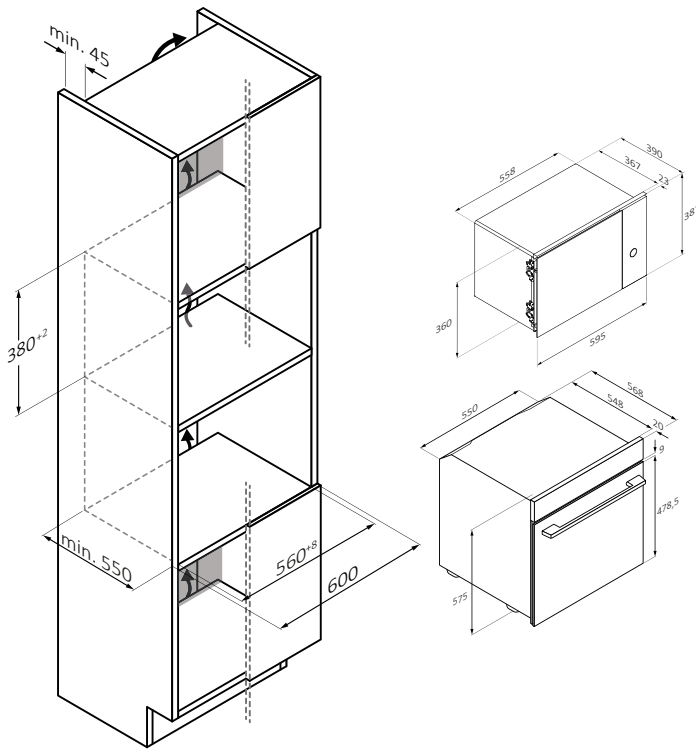
Side view



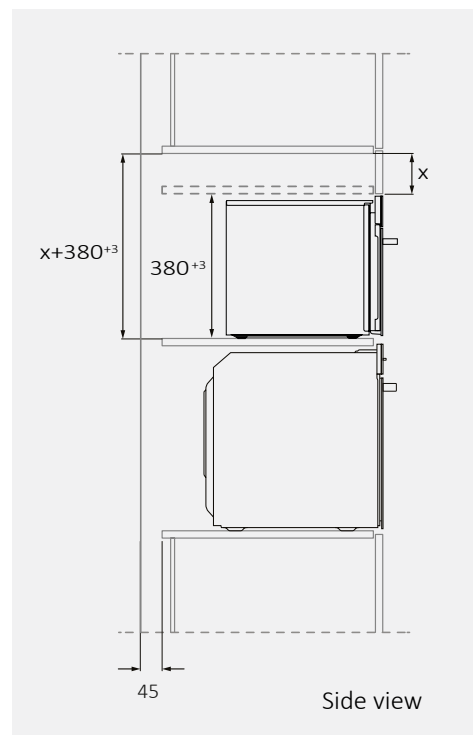
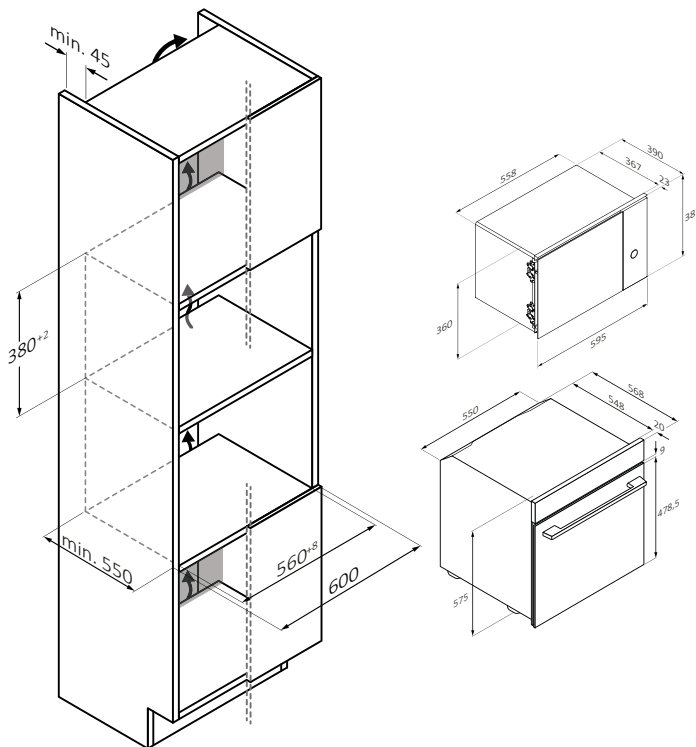
Note: to reduce the gap between machines, we suggest using shims to raise the kiln a few millimeters.

6.10 Installation oven + compact oven h38 in column

Drop down opening in column



Side wing opening in column




Note: to reduce the gap between machines, we suggest using shims to raise the kiln a few millimeters.

7.1 Safety warnings

To carry out the electrical connection of the device safely, observe the following warnings:

- Any improperly performed repair, installation and maintenance can seriously endanger the user;
- The producer declares that it assumes no liability for direct or indirect damage caused by incorrect installation, maintenance or repair. It is also not liable for damage caused by missing or interrupted grounding pipeline (electric shock);
- Have the oven connected to the power grid only by a qualified technician who knows and complies with local regulations and additional regulations of the local power company;
- The product falls under protection class I and can operate only if it is equipped with a grounding conductor;
- The product must be voltage-free during installation;
- Connect the product using only the supplied cable;
- The product must be connected to a properly made electrical system;
- In case of incorrect installation, tampering with the device and improper connection, the validity of the product warranty will expire;
- If the power cord is damaged, it should be replaced by the manufacturer, a service technician or similarly qualified person to avoid risk. For any repairs, contact customer service only and ask that original spare parts be used;
- For any repairs, contact Customer Service exclusively and request the use of original spare parts;
- Disconnect the product from the power supply before performing any work or maintenance on it;
- To avoid electric shock, make sure the appliance is turned off before replacing the bulb.

 **NOTE:** Because the oven may need servicing, it is advisable to keep another wall outlet available to plug the oven into if it is moved away from the space where it is installed.

7.2 Instructions

Power absorbed

See product data plate.

Differential circuit breaker (life-saving)

The use of a residual current circuit breaker (earth leakage circuit breaker) with trip current complying with current standards is recommended.

Separation devices

In the event that it is necessary to use it, the oven must be connected to the power supply via an omnipolar disconnection device that ensures a separation between contacts complying with overvoltage category III. Such a device must withstand the maximum loads connected and comply with current standards.

⚠ WARNING: To avoid any danger caused by accidentally resetting the thermal cut-off device, the appliance must not be powered by an external switching device, such as a timer, or be connected to a circuit that is regularly switched on and off. The product is not designed to be operated by an external timer or a separate remote control system.

The product can be supplied by the producer:

- A) Unplugged: Direct connection to the mains;**
- B) Without plug: Can be added during installation;**
- C) With plug: Direct connection to the socket;**

A) Unplugged: Direct connection to the mains

The product is connected directly to the power supply by including an omnipolar switch in the circuit;

The yellow-green ground wire must not be interrupted by the switch;

The omnipolar switch used for connection must be easily accessible when the product is installed;


The connection to the power supply must be made taking into account the polarity of the oven and the power source.

Connect the cables of the network connection respecting the color allocation:

- Green-yellow = ground;
- Blue = neutral;
- Brown = phase.

7 Connection to the mains

B) Without plug: Can be added during installation

 **NOTE:** The appliance can only be connected to a grounded outlet installed according to current standards. If you do not wish to add the plug, follow step A.

If you want to add the plug:

- A plug suitable for the loads indicated on the product and complying with current standards must be applied;
- Insert the plug into the grounded outlet. If the product is recessed, the plug of the power cord must be freely accessible after installation. If free access to the plug is not possible, an omnipolar separation device must be installed in the fixed electrical system in accordance with the installation standards;
- The yellow-green ground wire must not be interrupted by the switch;
- The omnipolar switch used for connection must be easily accessible when the product is installed.

C) With plug: Direct connection to the socket

The product can only be connected to a grounded outlet.

- Insert the plug into the grounded outlet. If the product is recessed, the plug of the power cord must be freely accessible. If free access to the plug is not possible, an omnipolar separation device must be installed in the fixed electrical system in accordance with the installation standards;
- The yellow-green ground wire must not be interrupted by the switch;
- The omnipolar switch used for connection must be easily accessible when the equipment is installed;
- The socket must be suitable for the load indicated on the nameplate and must have the ground contact connected and working;
- In case of incompatibility between the socket and the plug of the appliance, ask a qualified electrician to replace the socket with one of a suitable type. The plug and socket must comply with the standards in force in the country of installation;
- Should the product be supplied with a polarized plug, it should be connected only to a polarized outlet.

Replacing the power cord

- Do not replace the cable yourself. Contact the authorized service center.

7.3 Other advice

The use of any household appliance requires adherence to certain basic rules:

- Do not pull the power cord to disconnect the appliance from the power supply;
- Do not touch the appliance with wet or damp hands or feet;
- In general, the use of adapters, power strips or extension cords is discouraged;
- In case of malfunction and/or drop in performance, turn off the appliance and do not tamper with it.

8 Instructions for oven installation

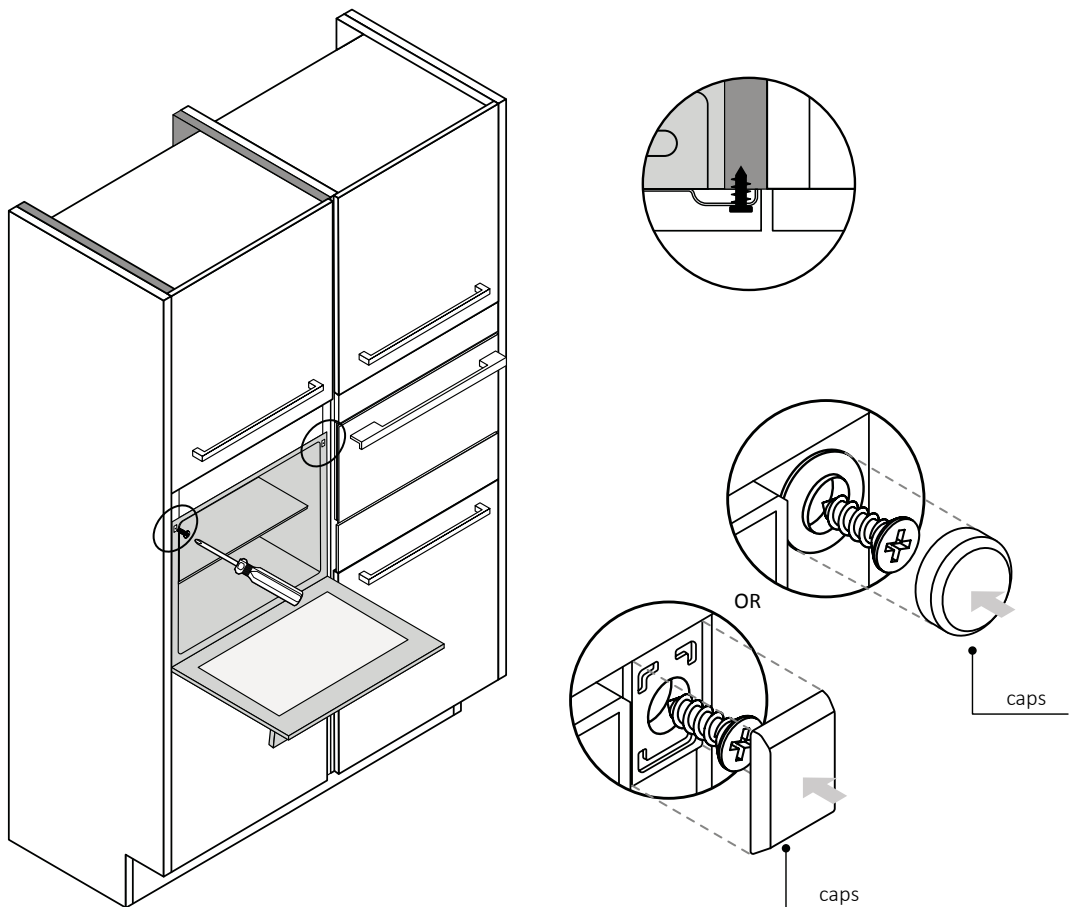
8.1 Important warnings

- For safety reasons, the product should be used only when recessed;
- In order to properly work, the product needs a sufficient amount of fresh air flowing in;
- Make sure that the intermediate shelf on which the product rests does not touch the wall;
- The surfaces in the recessed compartment are resistant to the temperatures required by EN 60335;
- If installing the product below a cooktop, follow the instructions provided by the cooktop manufacturer;

8.2 Fixing to the cabinet

- Insert the product all the way in and center it;
- Secure the product with the screws;
- Cover the screws with the caps.

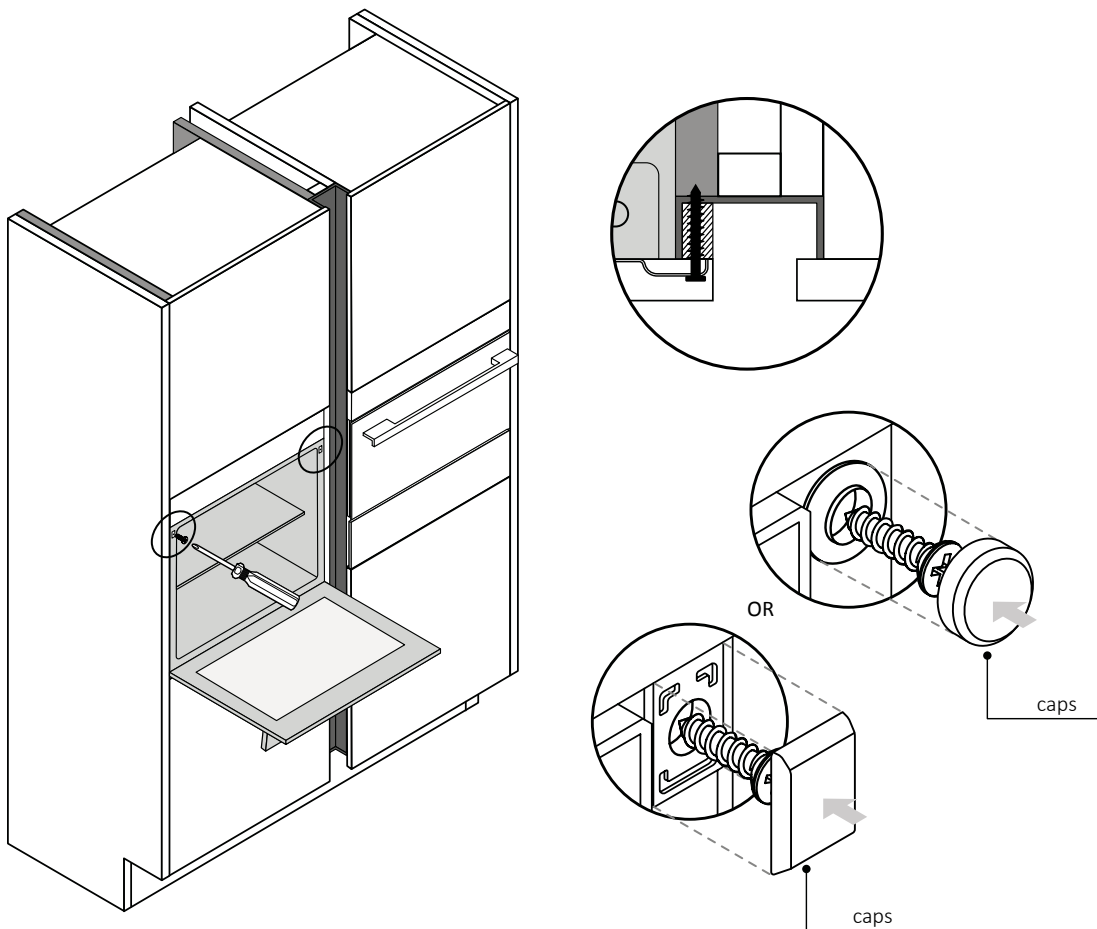
Column with handle



In case of kitchens with integrated vertical handle (vertical groove):

- Apply a suitable piece of filler to cover any sharp edges and ensure secure mounting;
- Pre-drill aluminum profiles to make a screw fitting;
- Secure the product with suitable screw (not provided);

Column with aluminum profile




8 Instructions for oven installation

8.3 Installation step by step

The following pictures show the steps of installing the product in a column.

You can view the product installation video
by scanning the Qr Code

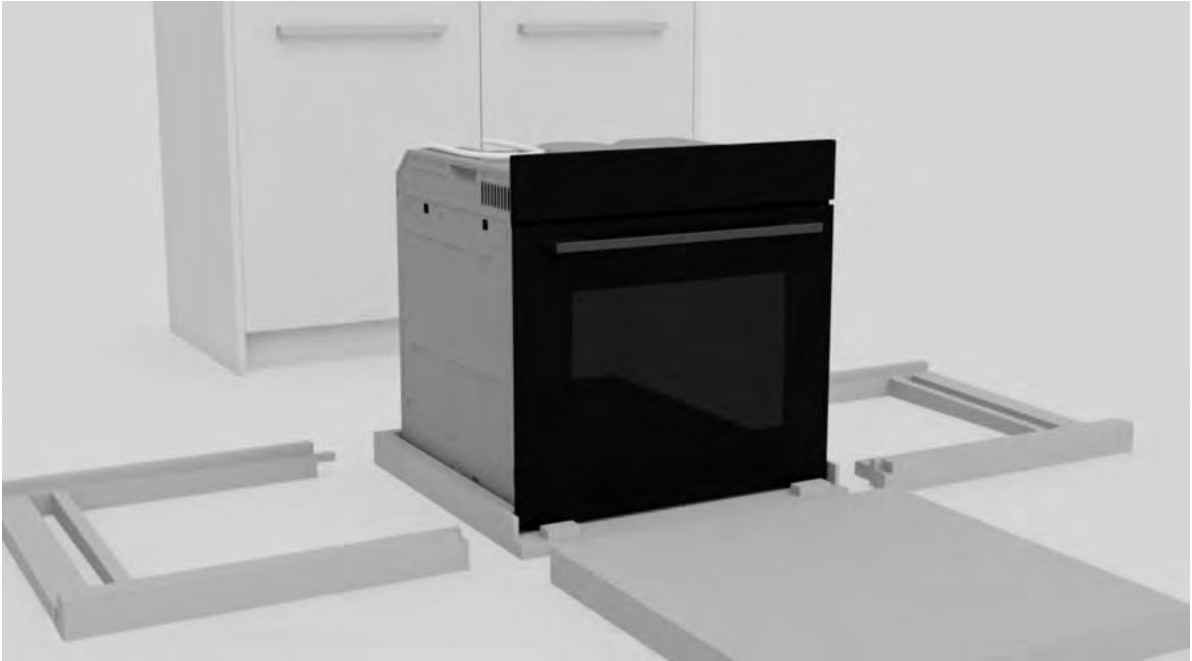


or by clicking this [link](#) 

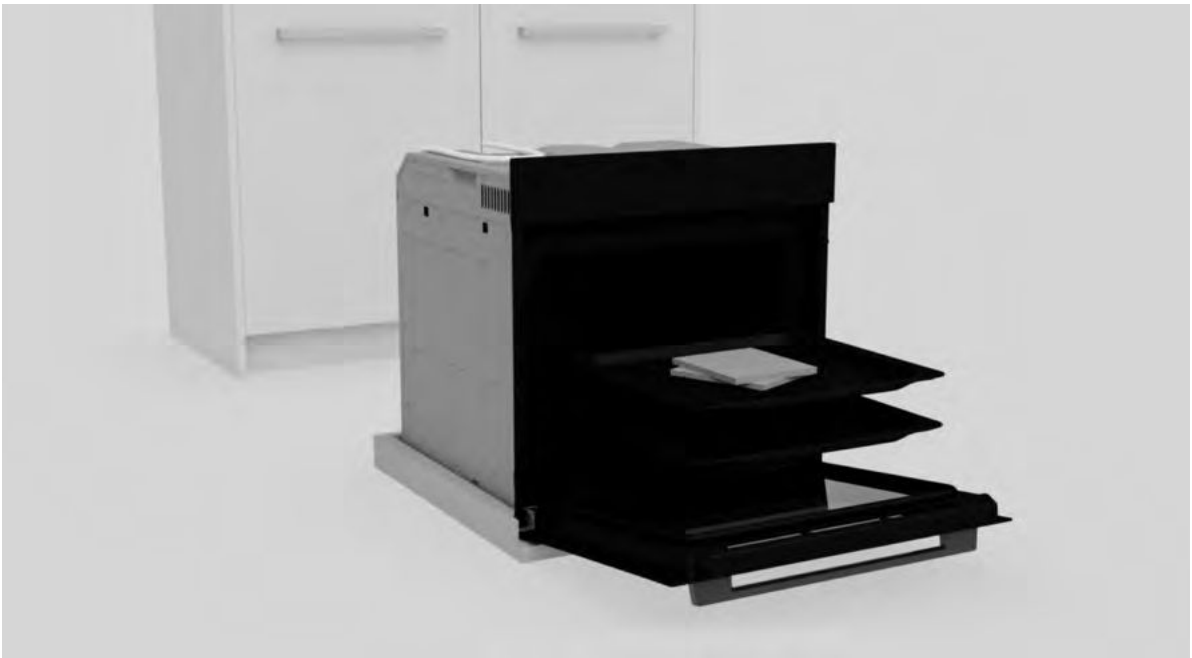


1

Place the product next to the cabinet for embedding;

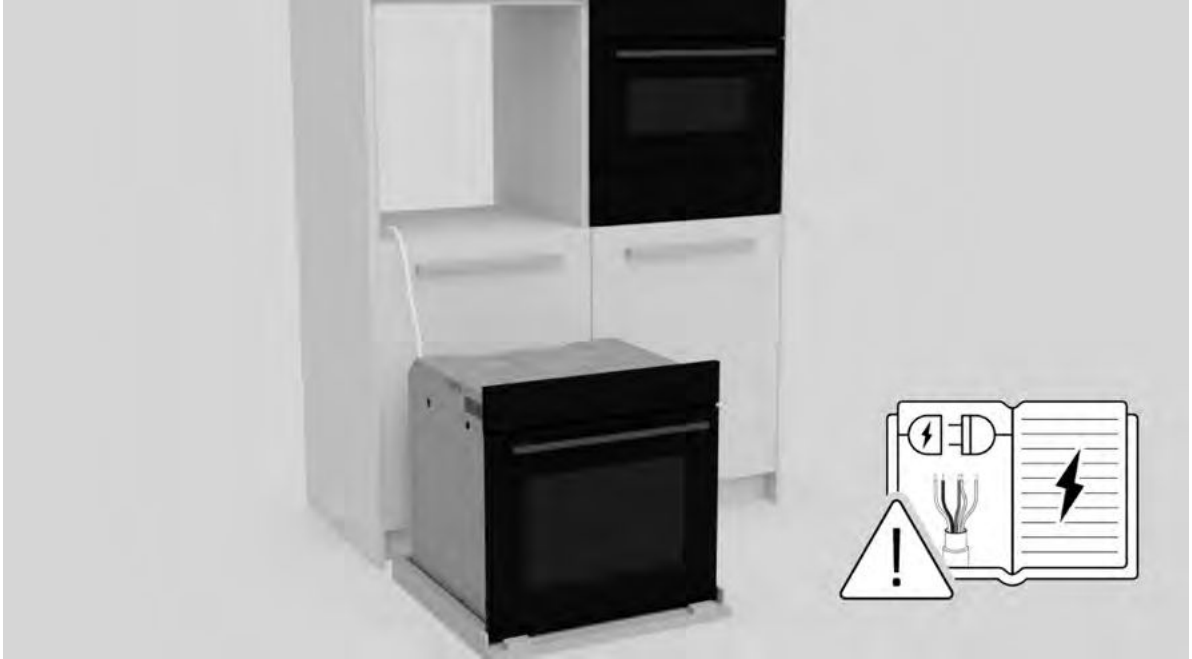
**2**

Remove the packaging using a box cutter, making sure not to damage the product;

**3**

Remove all accessories in the oven and close the door again;

8 Instructions for oven installation



4

Position the product close to the cabinet for recessing. After consulting the installation manual, proceed with the electrical connections;



5

Lift the product by the side handles using gloves. Do not lift by door handle;

**6**

Insert the product into the recessed compartment;

**7**

Open the door to secure the product to the cabinet. Screw the product to the top ends; cover the screws with the caps provided.

9 Delivery to the user

At the end of installation:

- Inform the user about essential functions;
- Inform the user about all aspects relevant to safe use and handling;
- Deliver accessories and instructions for use and assembly to the user to be kept with care.

After installation is complete, remove the protective film, tape, and all other packing materials and remove the supplied accessories from inside the oven.

⚠ WARNING: The product requires adequate ventilation for normal operation. Do not obstruct the ventilation openings for any reason.

📄 NOTE: The actual appearance of the oven depends on the model chosen.

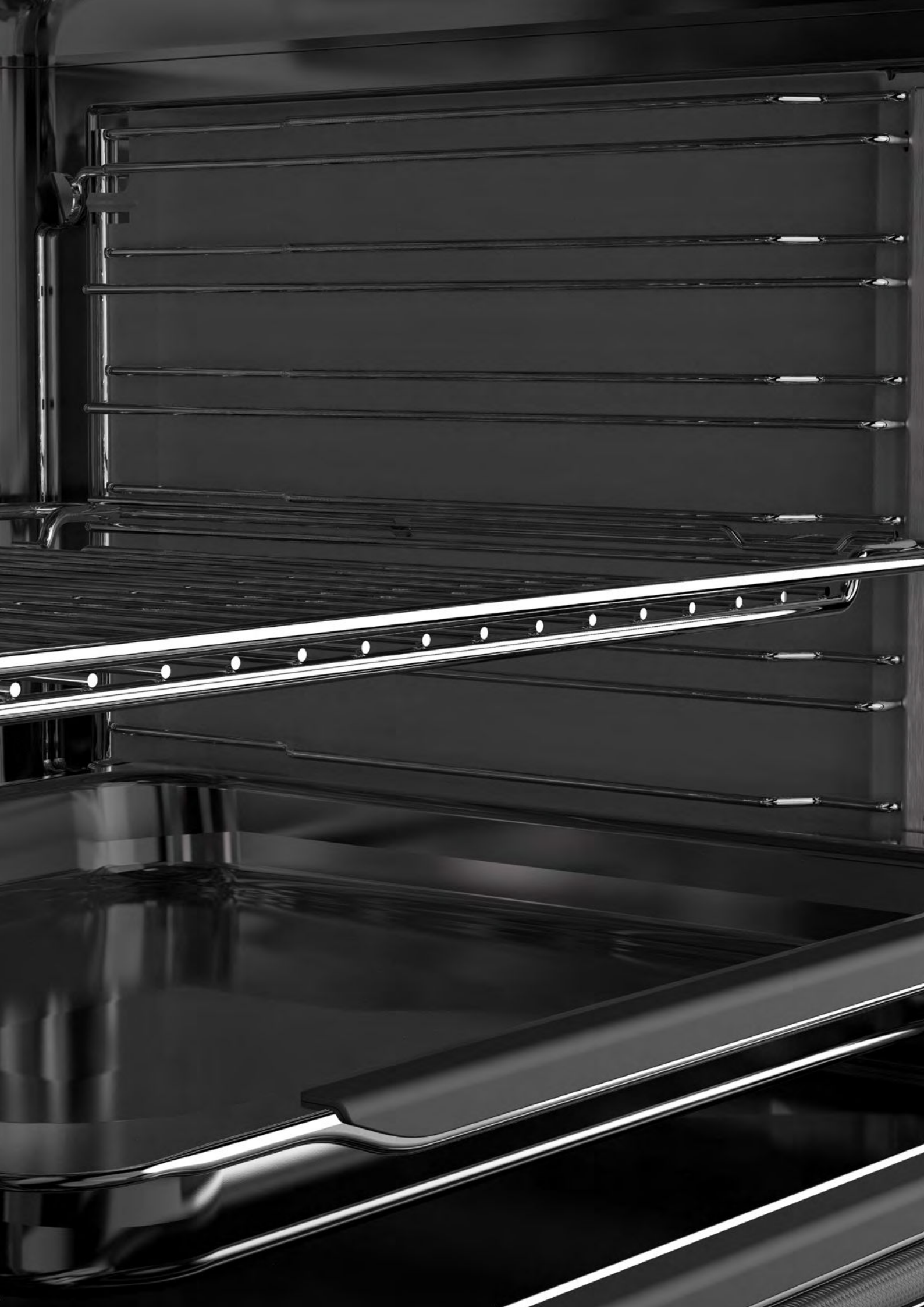
10 First startup

When the product is preheated for the first time, slight odors and smoke may form when the door is opened. When the product is turned on for the first time, the following settings can be made, if available:

- Set time;
- Select the language;
- Set brightness and volume;
- Set amperage;
- For more information, see the product's user manual.

11 Disassembling the product

- Disconnect the product from the power supply;
- Unscrew the fixing screws;
- Lift the product slightly and pull it out completely;
- This product will not damage the cabinet, which can also be used with a new appliance.





BENVENUTI

Questo manuale di installazione è pensato per i produttori delle cucine che accoglieranno questi prodotti. Per garantire la sicurezza e ottenere i migliori risultati, leggere attentamente questo manuale, comprese le istruzioni di sicurezza, e conservarlo per riferimenti futuri. Prima di procedere con l'installazione, prendere nota del numero di serie, in quanto potrebbe essere necessario in caso di riparazioni. Verificare eventuali danni durante il trasporto e consultare un tecnico in caso di dubbi prima dell'utilizzo. Tenere sempre tutto il materiale da imballaggio a distanza di sicurezza dai bambini.

i NOTA: Le caratteristiche, le immagini contenute nel manuale e gli accessori del prodotto possono variare a seconda del modello acquistato.

Indice

1	Avvisi di sicurezza per l'installazione	p.2-3
2	Dove posizionare il prodotto	p.3
3	Dimensioni forno	p.4-5
4	Dimensioni prodotti combinabili	p.6-13
4.1	Compatto h45 apertura drop down	
4.2	Compatto h38 apertura drop down	
4.3	Compatto h38 apertura side wing	
4.4	Cassetto	
5	Strumenti per l'installazione	p.14
6	Mobili e ventilazione	p.14 - 21
6.1	Precauzioni	
6.2	Installazione sottotop	
6.3	Combinazione con piano cottura	
6.4	Installazione ad angolo	
6.5	Installazione forno in colonna	
6.6	Installazione compatto in colonna	
6.7	Installazione compatto + cassetto in colonna	
6.8	Regolazioni del cassetto	
6.9	Installazione forno + compatto h45 in colonna	
6.10	Installazione forno + compatto h38 in colonna	
7	Connessione alla rete elettrica	p.22 - 25
7.1	Avvisi di sicurezza	
7.2	Istruzioni	
7.3	Altri consigli	
8	Indicazioni relative all'installazione del forno	p.26 - 31
8.1	Avvertenze importanti	
8.2	Fissaggio al mobile	
8.3	Installazione step by step	
9	Consegna all'utente	p.32
10	Prima messa in funzione	p.32
11	Smontaggio del prodotto	p.32

1 Avvisi di sicurezza per l'installazione

Osservare le presenti indicazioni prima di iniziare l'installazione del prodotto. La vostra sicurezza è molto importante per noi. Leggere attentamente queste informazioni prima di utilizzare il forno.

- L'installazione deve essere effettuata da un tecnico qualificato che deve conoscere e rispettare le leggi vigenti nel paese di installazione e le istruzioni del fabbricante;
- Se è richiesta l'assistenza del produttore per eliminare guasti derivanti da un'errata installazione, tale assistenza non è coperta dalla garanzia;
- Rimuovere il materiale di imballaggio prima di mettere in funzione l'elettrodomestico;
- Dopo aver disimballato il prodotto verificare che non sia danneggiato e, in caso di problemi, contattare il centro assistenza, prima di procedere con l'installazione e non collegarlo alla rete elettrica;
- Un prodotto danneggiato può essere la causa di un corto circuito, una scossa elettrica, un principio d'incendio e altri pericoli;
- Verificare se nell'imballo ci sono accessori o materiali di corredo (buste con viti, documenti, opuscoli etc.) e, nel caso, rimuoverli e conservarli;
- Il prodotto può essere posizionato in alto, in colonna, o sotto un piano di lavoro;
- Prima di fissare l'elettrodomestico, accertarsi che la ventilazione sia sufficiente per consentire la corretta circolazione dell'aria fresca necessaria per il raffreddamento e la salvaguardia dei componenti interni. In base al tipo di sistemazione, praticare le aperture specificate sulle illustrazioni. Fissare sempre il forno al mobile con le viti in dotazione con l'elettrodomestico;
- Il funzionamento dell'elettrodomestico alle frequenze nominali non richiede interventi o installazioni supplementari;
- Il prodotto non deve essere installato dietro una porta decorativa per evitare il surriscaldamento;
- Se occorre l'assistenza del fabbricante per eliminare eventuali guasti dovuti all'installazione errata, tale assistenza non è coperta dalla garanzia. Attenersi alle istruzioni per l'installazione fornite per il personale qualificato;
- Un'errata installazione può causare danni o lesioni a persone, animali o cose. Il produttore non può essere ritenuto responsabile per tali danni o lesioni;
- L'utilizzo sicuro viene garantito solo se l'installazione è stata effettuata in modo corretto secondo le presenti istruzioni. In caso di danni dovuti a un montaggio scorretto la responsabilità ricade su chi ha installato il prodotto;
- Durante l'installazione, l'elettrodomestico non deve essere collegato alla rete elettrica;
- Durante le fasi di installazione, non utilizzare la maniglia dello sportello per sollevare e trasportare il prodotto;

- Si consiglia di indossare guanti protettivi durante l'installazione per evitare lesioni da taglio;
- I mobili da incasso e quelli adiacenti devono resistere a temperature pari a 95°C;
- La garanzia non copre danni causati da un'installazione errata;
- In caso di installazione errata, manomissione dell'apparecchio e collegamento non conforme, decade la validità della garanzia del prodotto;
- Accertarsi che a incasso ultimato il cavo di alimentazione elettrica del prodotto non sia accessibile;
- Dopo il montaggio, il cavo di alimentazione non deve entrare in contatto con parti mobili dei componenti della cucina (ad esempio un cassetto) e non deve essere esposto a sollecitazioni meccaniche;
- Questo prodotto richiede una costante ventilazione durante l'uso. Non coprire le prese d'aria;
- Nel consegnare il prodotto all'utente finale, il tecnico deve assicurarsi che sia stato installato correttamente.

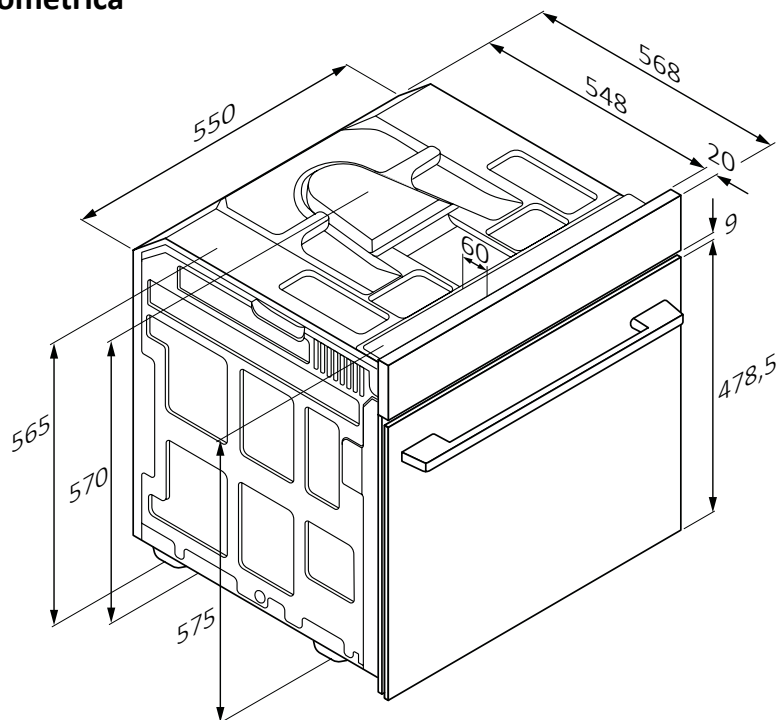
Dove installare il prodotto **2**

- Installare e utilizzare questo prodotto in un ambiente chiuso, coperto, asciutto e ben ventilato;
- Non installare il prodotto in ambienti aperti ed esposti agli agenti atmosferici;
- Questo prodotto è stato progettato per essere utilizzato fino ad una altitudine massima di 2000 metri;
- Montare il prodotto in prossimità di una presa elettrica;
- Utilizzare il prodotto solo se inserito in un vano incasso, altrimenti si rischiano lesioni e scottature.

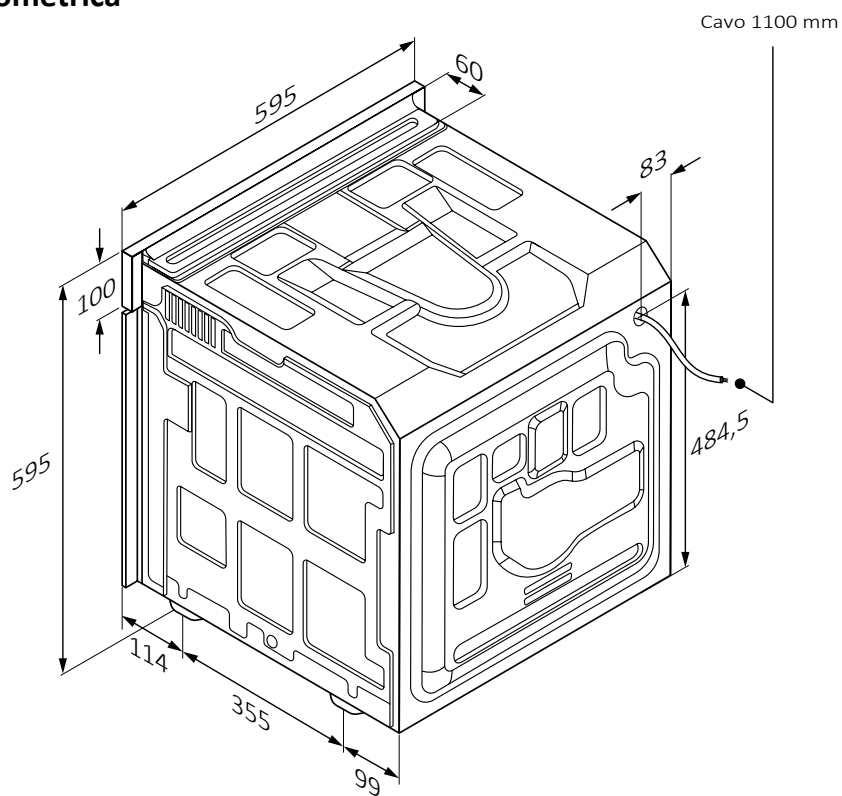
3 Dimensioni forno

Dimensioni in **mm**

**Vista assonometrica
frontale**

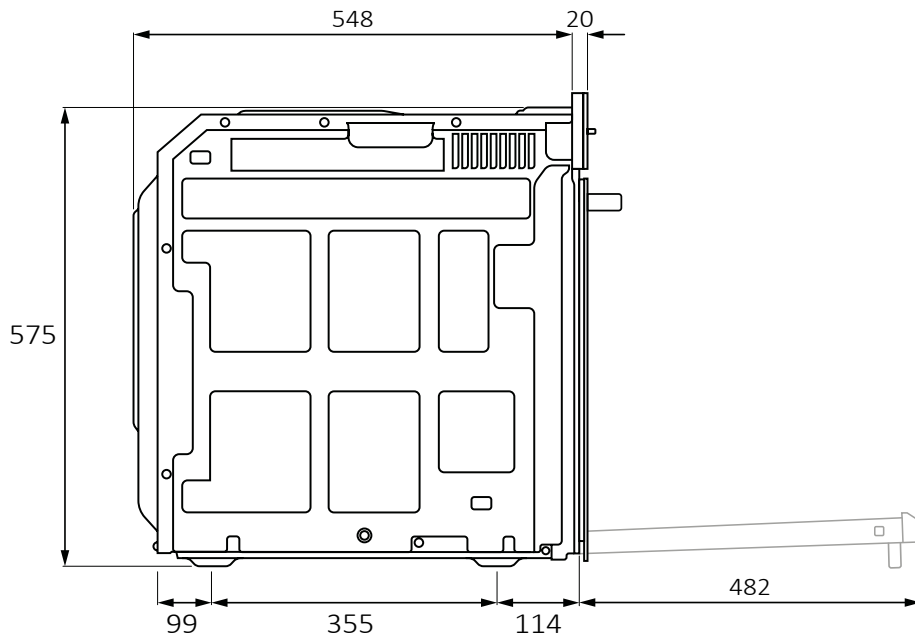


**Vista assonometrica
posteriore**

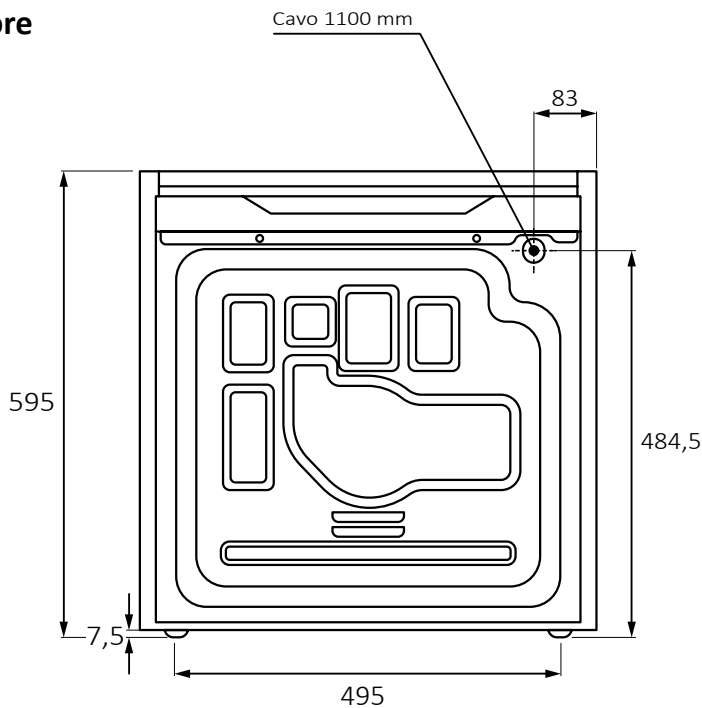


Dimensioni in **mm**

Vista laterale



Vista posteriore



Codici prodotto

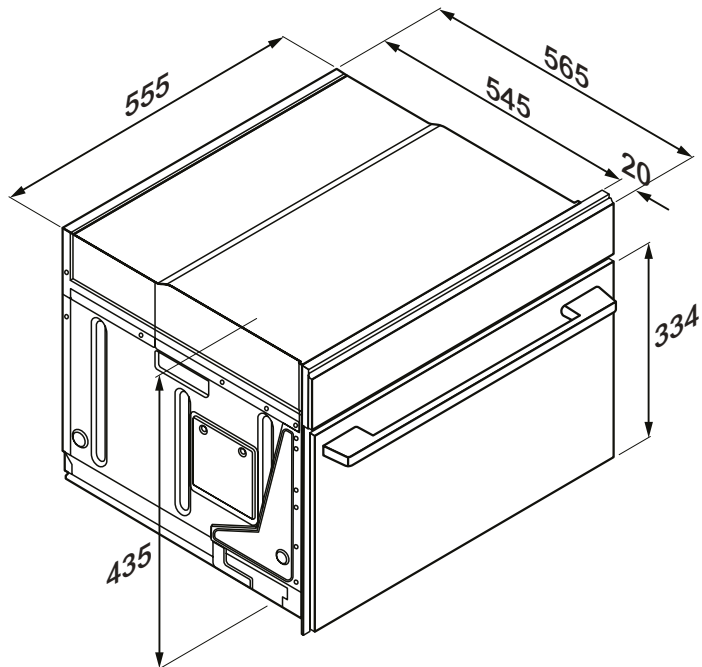
H6 ID23B3HTX	H6 ID23B4HTB	H6 ID46G5YTB	H6 ID66C3HTB	H6 ID48L5YTB	H6 ID2P5B3YTX	H6 ID68CSYTB1
H6 ID23B3YTB	H6 ID25B3LYTB	H6 ID66G5YTB	H6 ID46C3YTB	H6 ID48M5HTB	H6 ID43B3HTB	H6 ID48M5YTB1
H6 ID25B3LHTX	H6 ID25B4LYTB	H6 ID46G3SHTB	H6 ID66C3YTB	H6 ID68M5HTB	H6 ID46C3HTB1	H6 ID68M5YTB1
H6 ID25G3HTX	H6 ID46G3HTB	H6 ID46G3SYTB	H6 ID48C5HTB	H6 ID48M5YTB	H6 ID66C3HTB1	H6 ID48M5HTB1
H6 ID25G3HTB	H6 ID46G3YTB	H6 ID46G5SHTB	H6 ID48C5YTB	H6 ID68M5YTB	H6 ID46C3YTB1	H6 ID68M5HTB1
H6 ID25G3YTX	H6 ID65G3YTB	H6 ID46G5SYTB	H6 ID68C5YTB	H6 ID46B3HTB	H6 ID66C3YTB1	H6 ID2P5B3YTB1
H6 ID25G3YTB	H6 ID66G3HTB	H6 ID46R5YTB	H6 ID48C5SYTB	H6 ID2P3T1HTB	H6 ID25G3HTB1	H6 ID25G5SYTX
H6 ID25C3YTX	H6 ID46G5HTB	H6 ID46C3HTB	H6 ID68C5SYTB	H6 ID2P3T1HTX	H6 ID25G3YTB1	H6 ID66G3SHTB
H6 ID23B3HTB						

4 Dimensioni prodotti combinabili

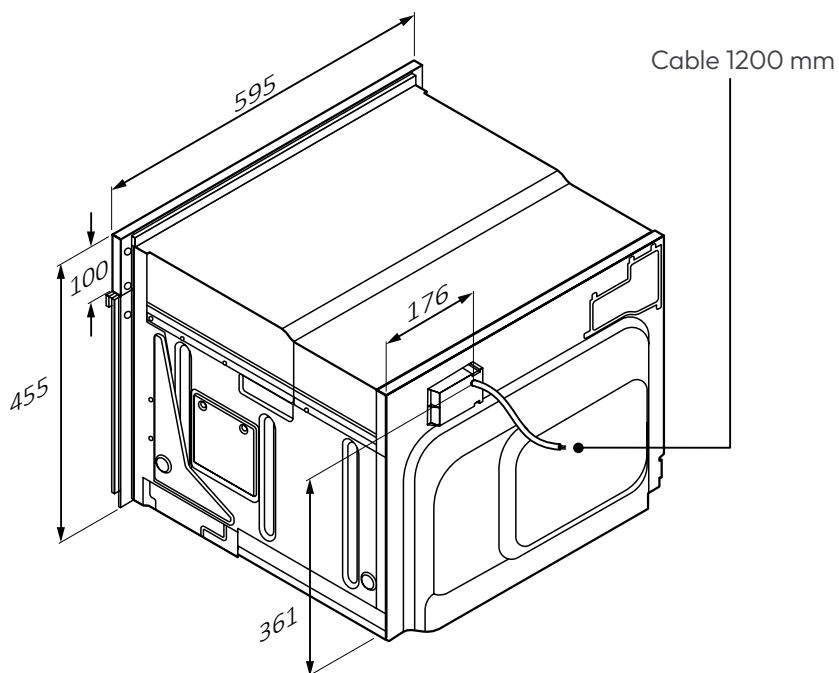
4.1 Compatto h45 apertura drop down

Dimensioni in mm

Vista assonometrica
frontale



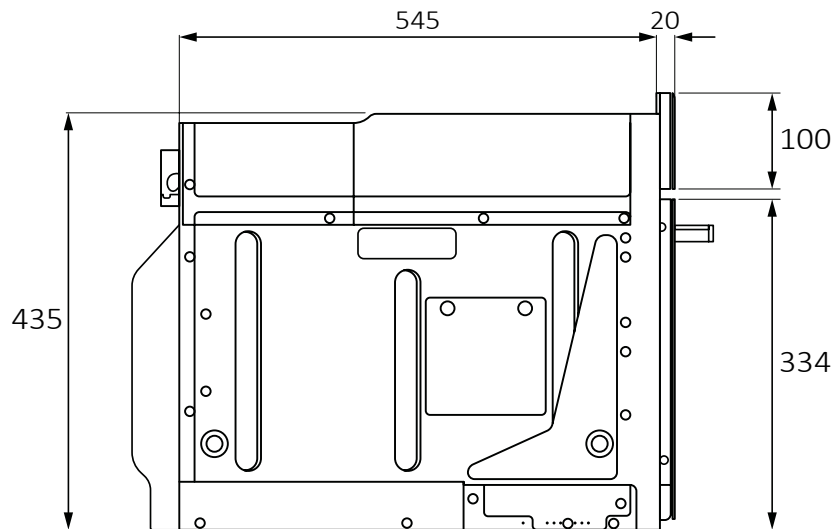
Vista assonometrica
posteriore



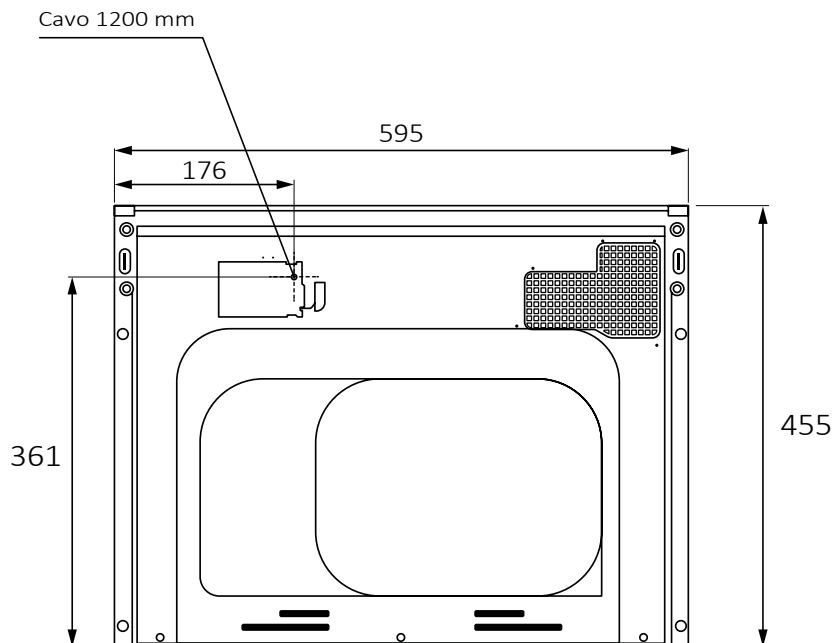
4.1 Compatto h45 apertura drop down

Dimensioni in mm

Vista laterale



Vista posteriore



Codici prodotto

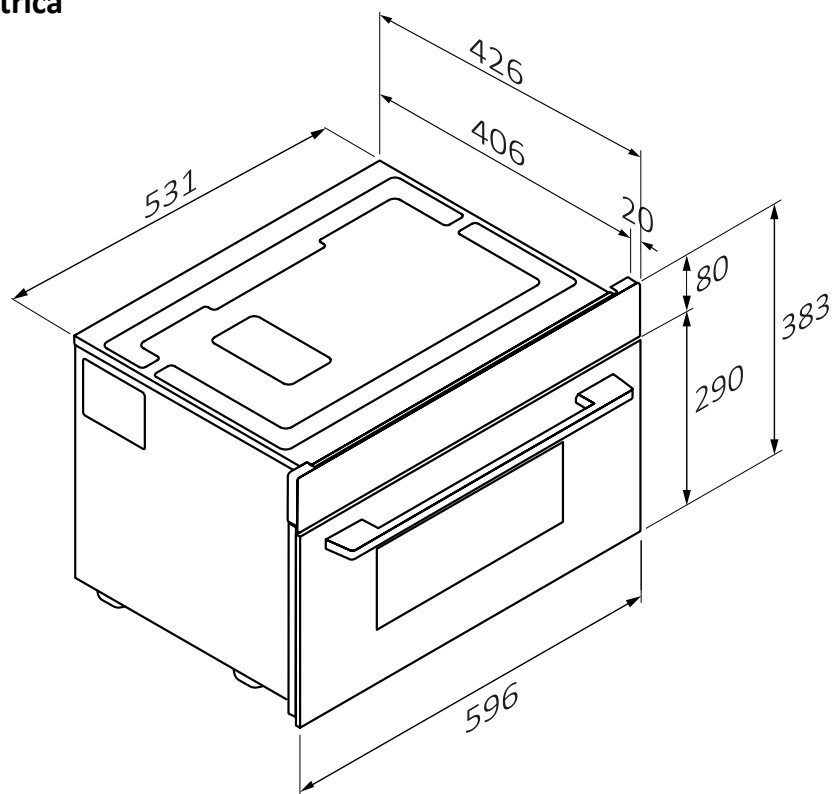
H4MWID29G6NQB H4MWID49G6NQB H4MWID69G6NQB H4MWID49C6NQB H4MWID69C6NQB H4MWID69P6NQB
H4MWID49P6NQB

4 Dimensioni prodotti combinabili

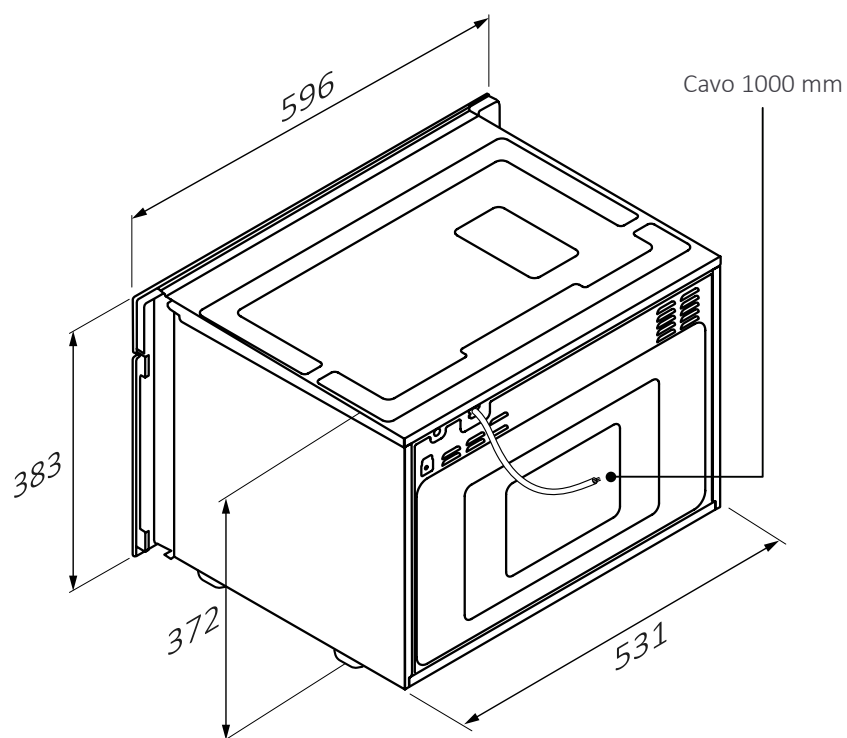
4.2 Compatto h38 apertura drop down

Dimensioni in mm

Vista assonometrica
frontale



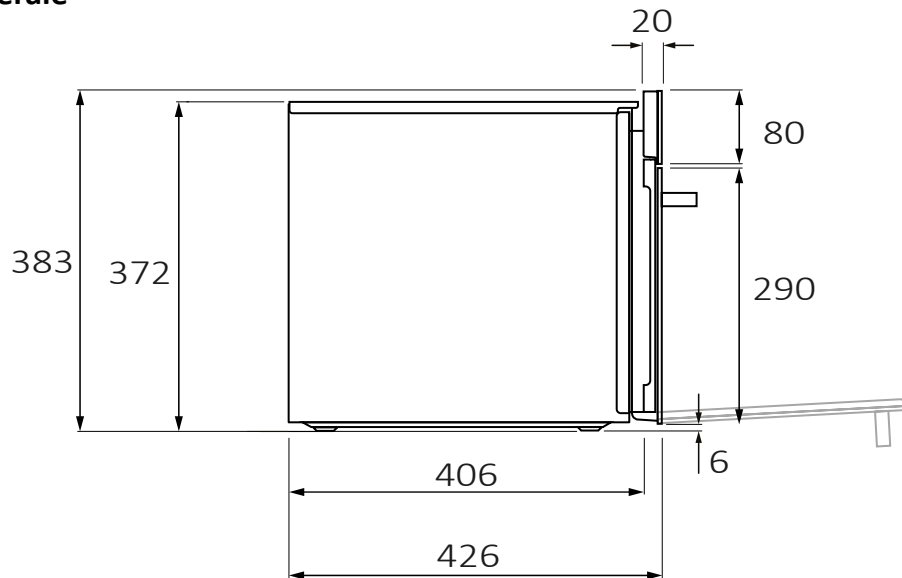
Vista assonometrica
posteriore



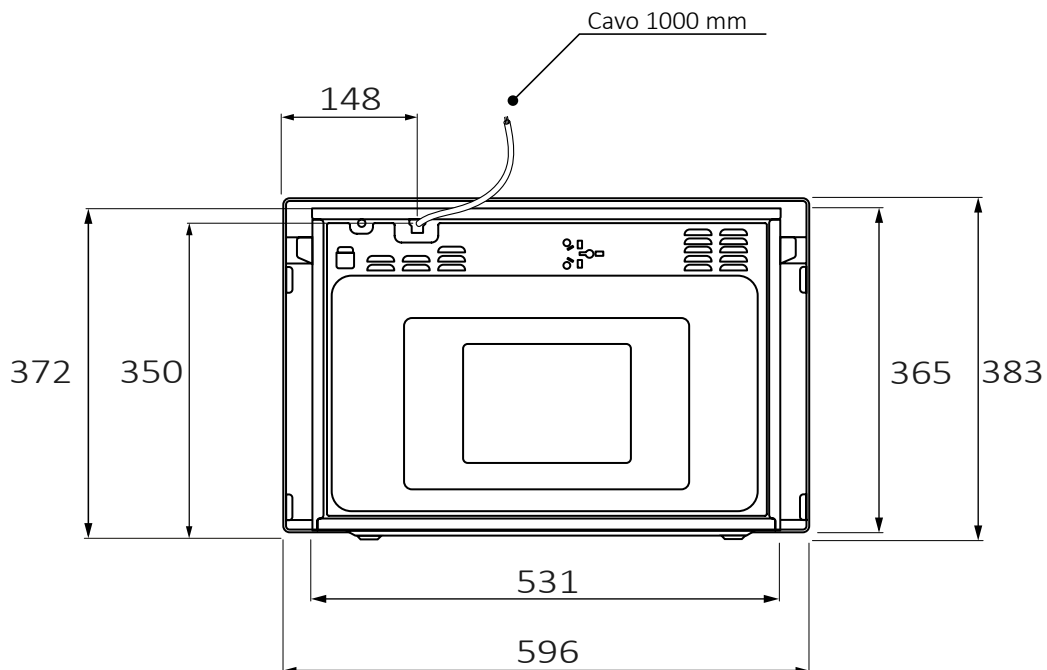
4.2 Compatto h38 apertura drop down

Dimensioni in mm

Vista laterale



Vista posteriore



Codici prodotto

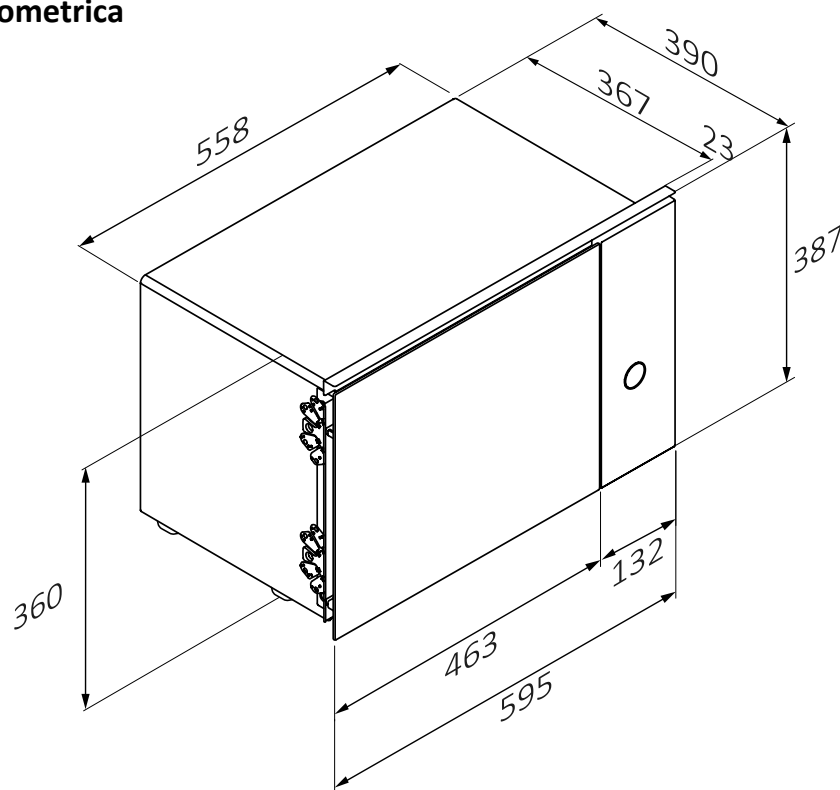
H38DMWID26NB H38DMWID26NX H38DMWID46NB

4 Dimensioni prodotti combinabili

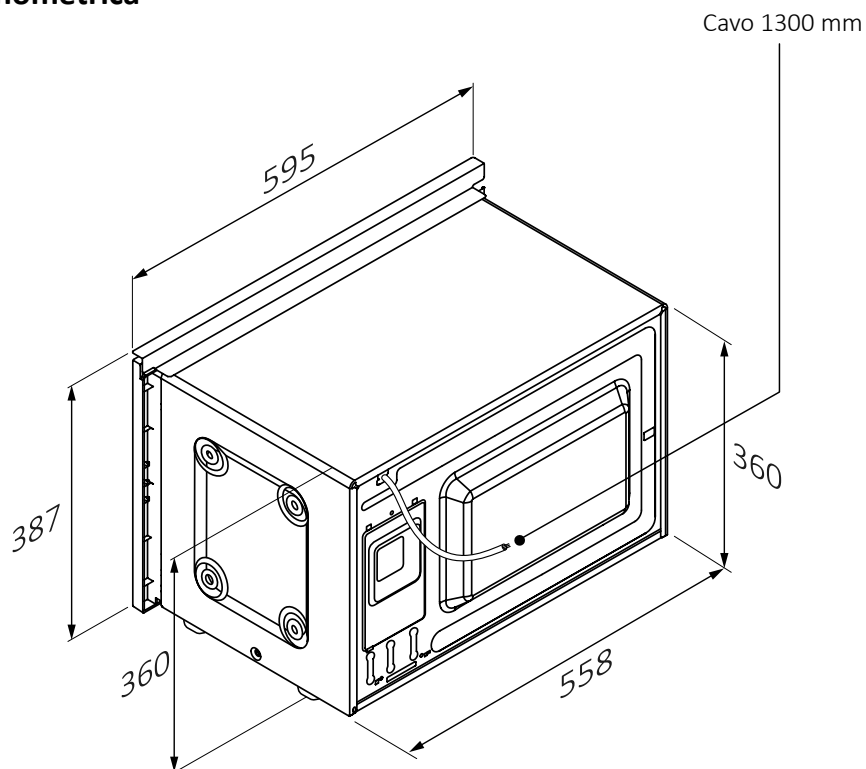
4.3 Compatto h38 apertura side wing

Dimensioni in mm

Vista assonometrica
frontale



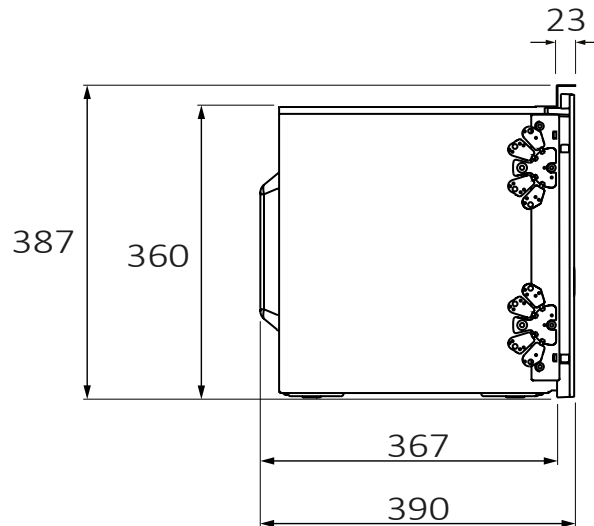
Vista assonometrica
posteriore



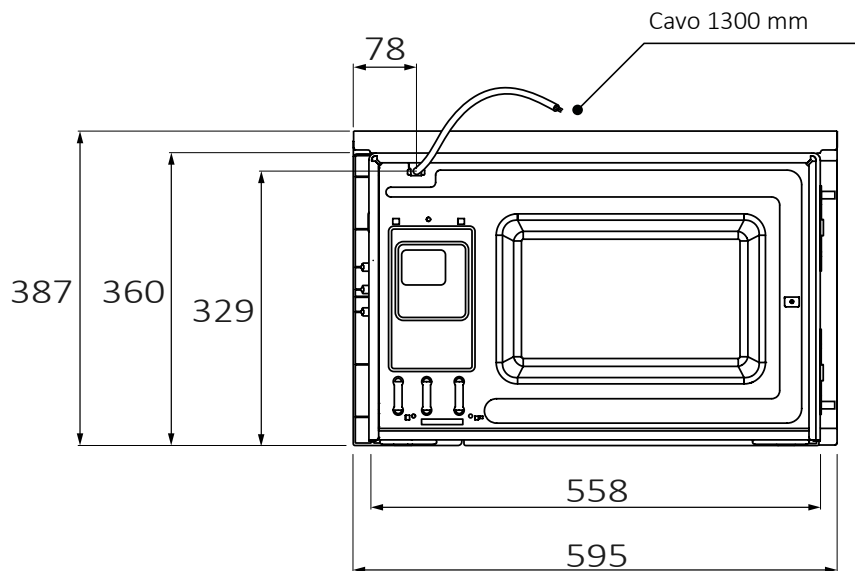
4.3 Compatto h38 apertura side wing

Dimensioni in mm

Vista laterale



Vista posteriore



Codici prodotto

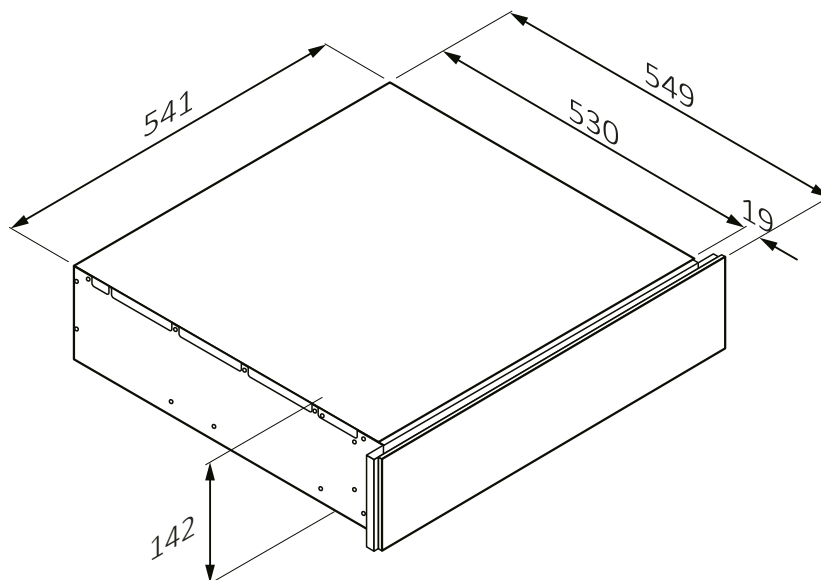
H38MWID4ID27N H38FMWID627N H38FMWID4ID27N H38FMWID2S7

4 Dimensioni prodotti combinabili

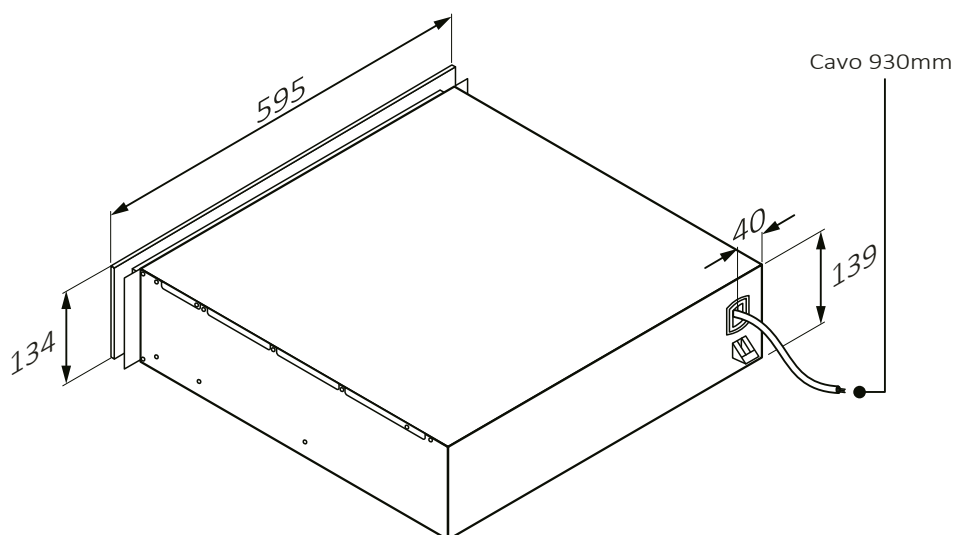
4.4 Cassetto

Dimensioni in **mm**

**Vista assonometrica
frontale**



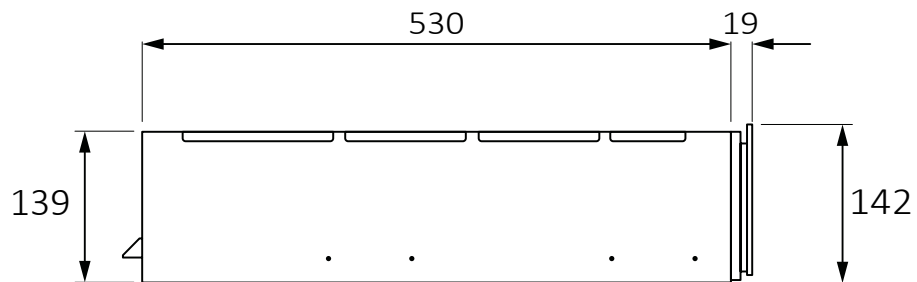
**Vista assonometrica
posteriore**



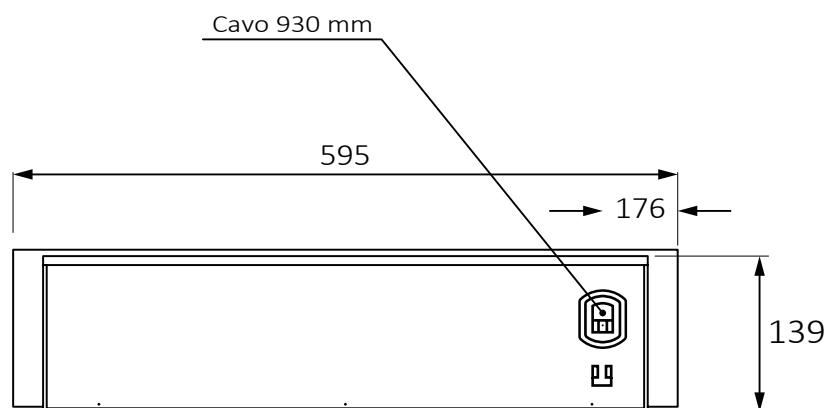
4.4 Cassetto

Dimensioni in **mm**

Vista laterale



Vista posteriore



Codici prodotto

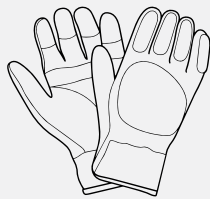
HWD14ID6E HWD14ID4E

5 Strumenti per l'installazione

Strumenti necessari



taglierino



guanti



cacciavite

Strumenti forniti con il prodotto



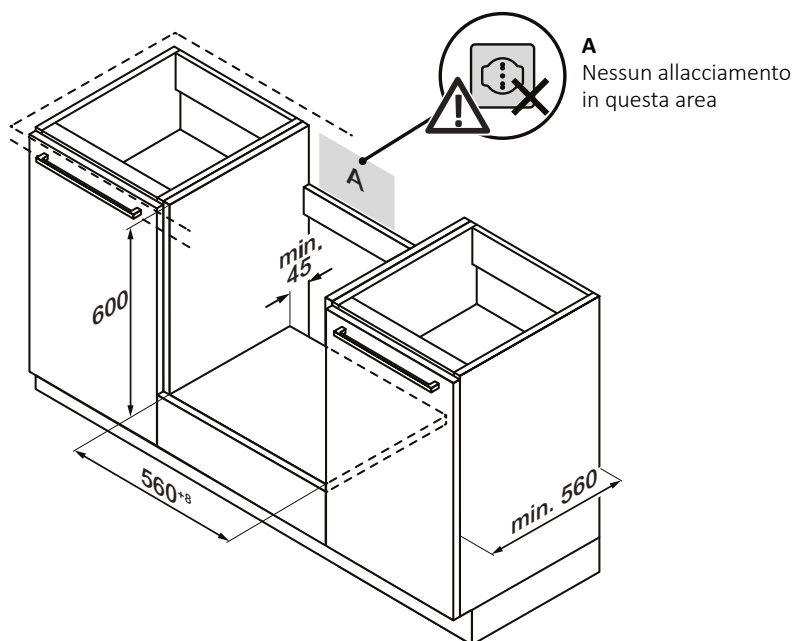
viti x2

6 Mobili e ventilazione

6.1 Precauzioni

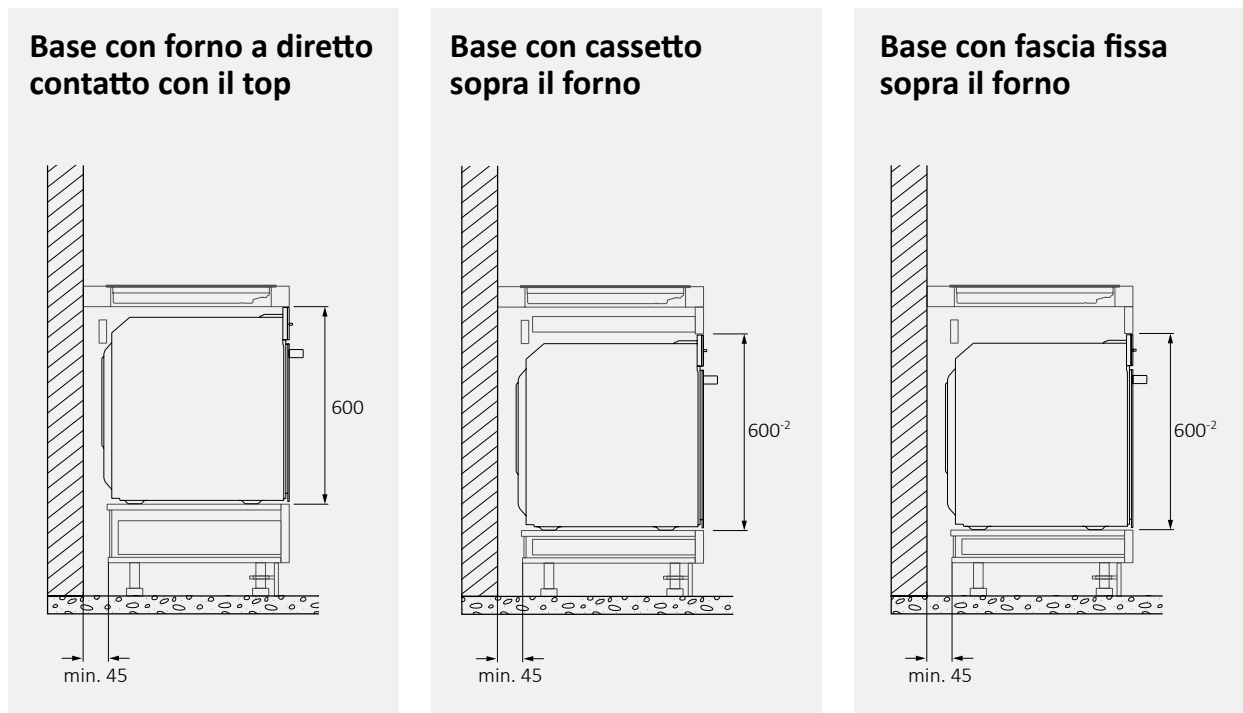
- Prevedere il vano incasso senza parete posteriore;
- I prodotti sporgono di 20 mm rispetto alla battuta del mobile;
- Per la ventilazione del prodotto seguire le istruzioni riportate in questo manuale;
- Se il prodotto viene installato sotto un piano cottura, consultare anche le istruzioni di installazione del piano cottura;
- La presa di collegamento non deve trovarsi all'interno dell'area **A**;
- Si consiglia di fissare il mobile alla parete per evitare il ribaltamento.

6.2 Installazione Sottotop



6.3 Combinazione con piano cottura

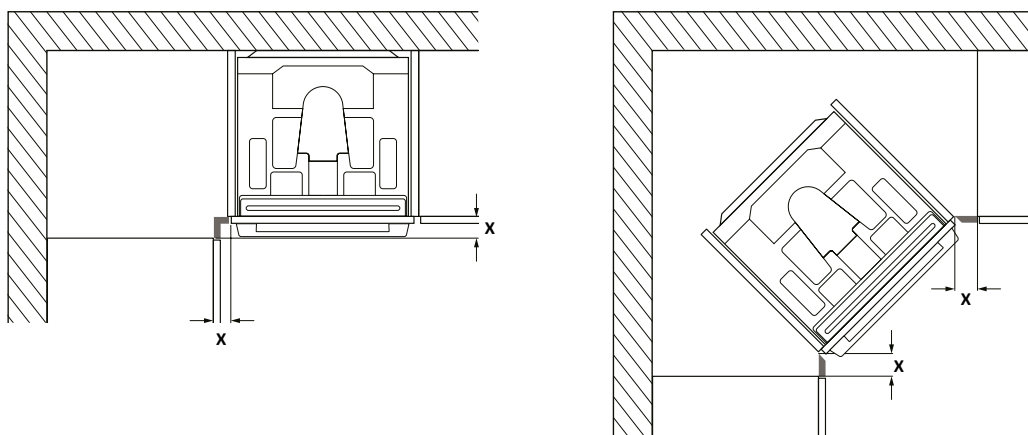
Per garantire la corretta ventilazione, consultare anche le istruzioni di installazione del piano cottura.



6.4 Installazione ad angolo

Per l'installazione angolare, osservare le dimensioni e le indicazioni di incasso;

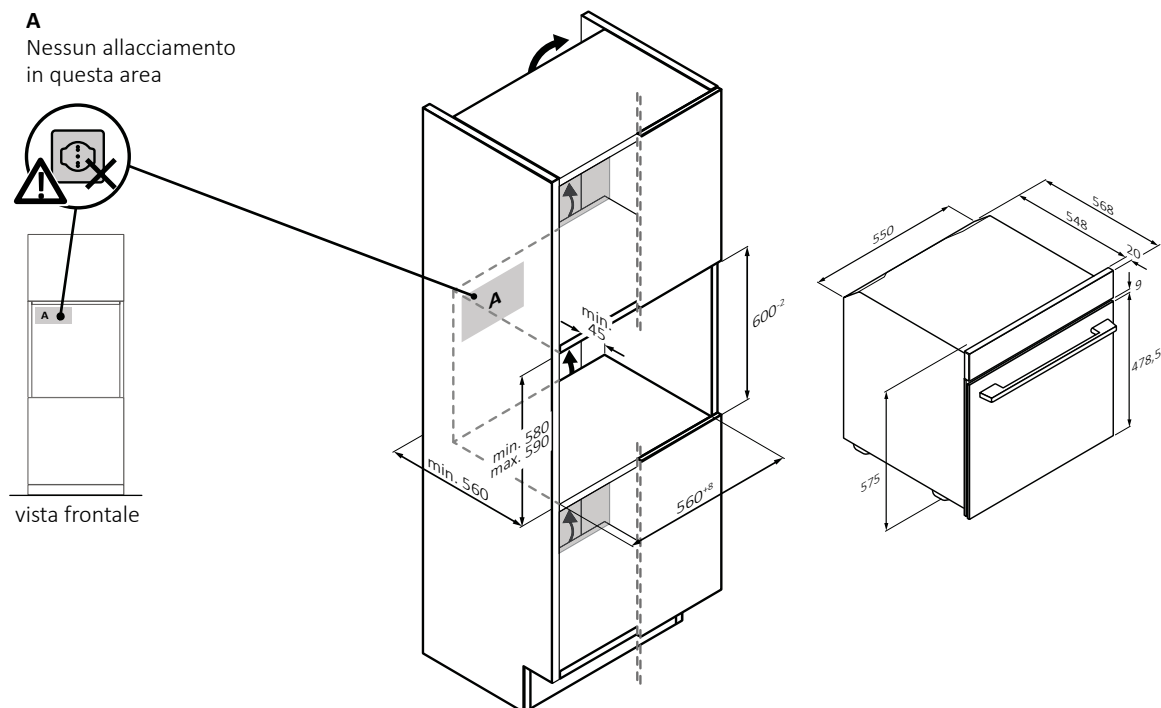
- Per consentire l'apertura dello sportello, tenere conto delle dimensioni minime del montaggio angolare;
- La misura **X** dipende dallo spessore del frontale del mobile e della maniglia.



6.5 Installazione forno in colonna

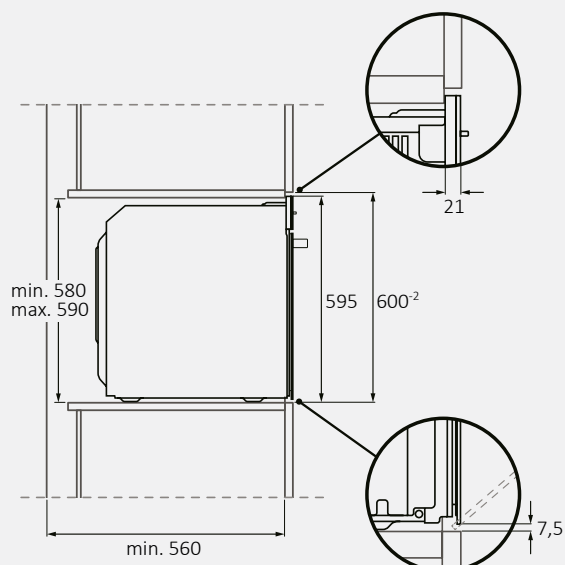
Per l'installazione in colonna, osservare le dimensioni e le indicazioni di incasso;

- Per la ventilazione dei prodotti occorre una fessura posteriore;
- Prestare attenzione a che lo scambio di aria sia conforme ai disegni di seguito;
- Installare i prodotti a un'altezza tale da poter prelevare gli accessori senza problemi.

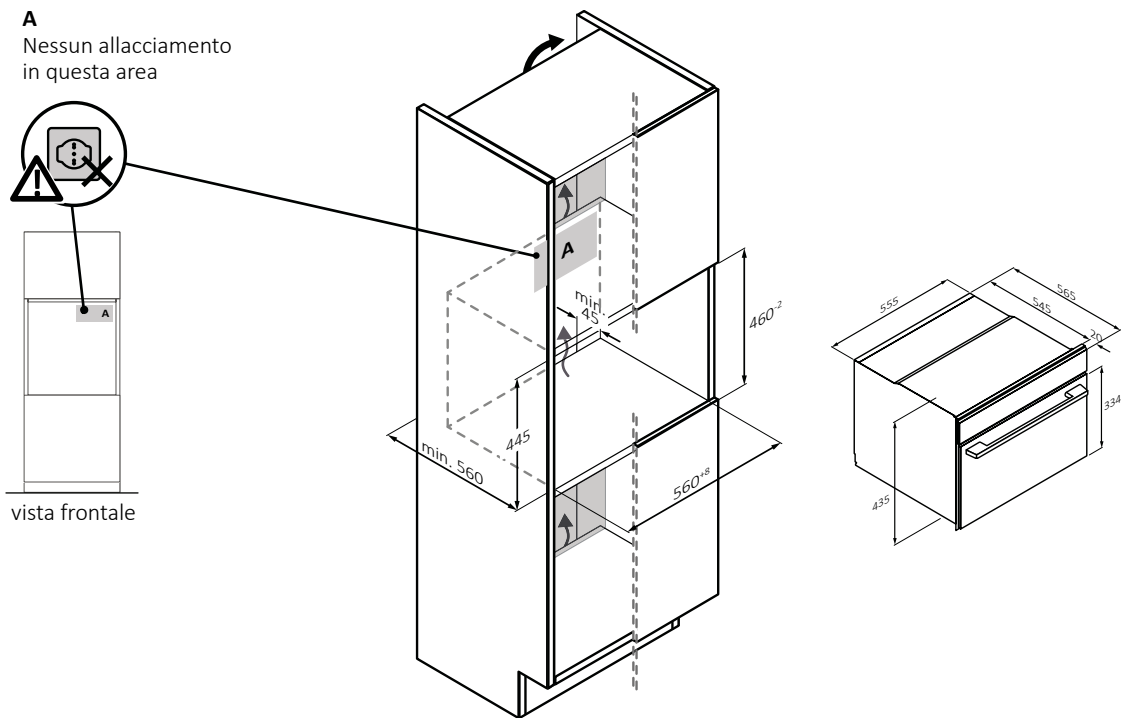


Incasso singolo

Prospetto laterale

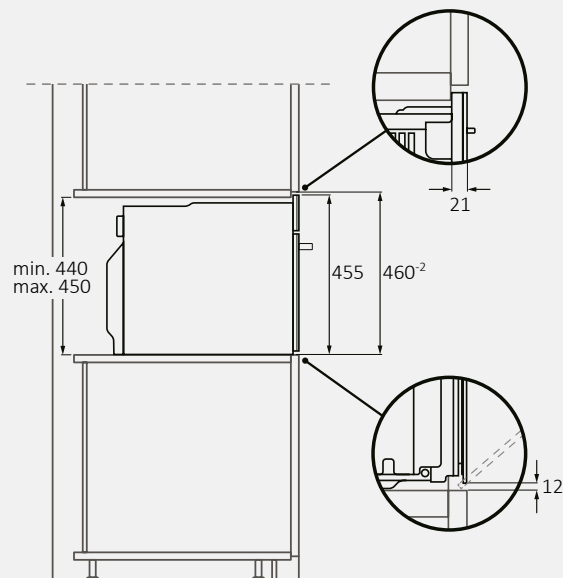


6.6 Installazione Compatto in colonna

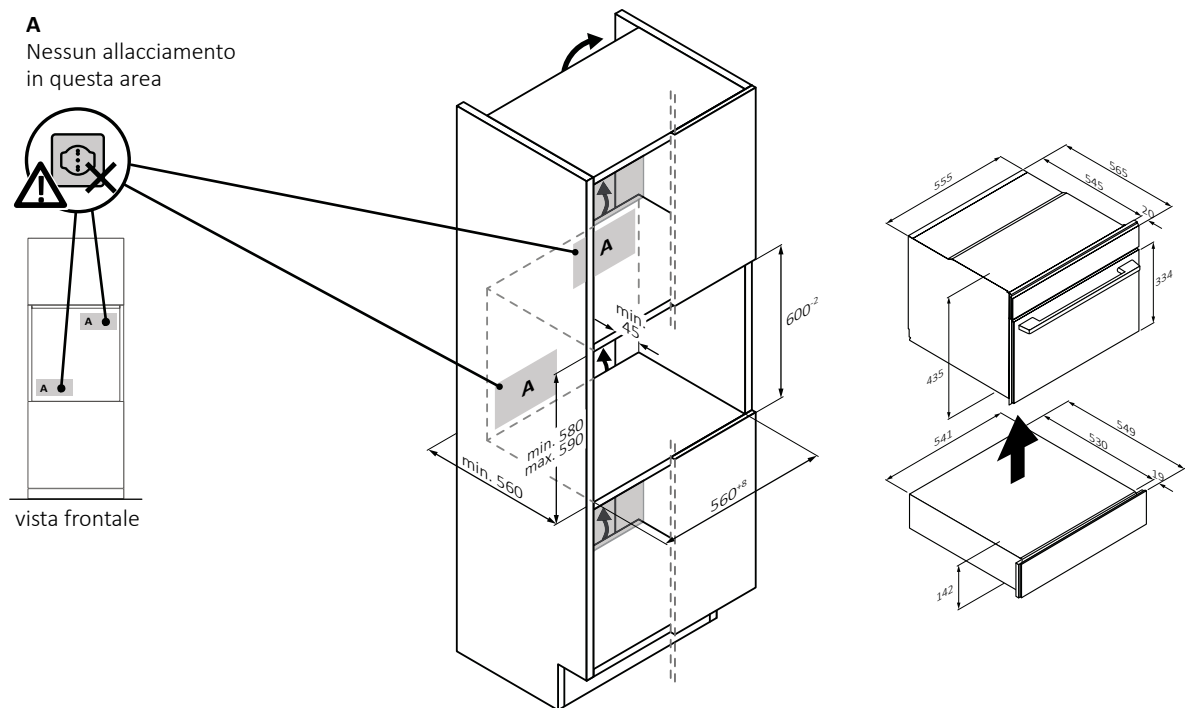


Incasso singolo

Prospetto laterale

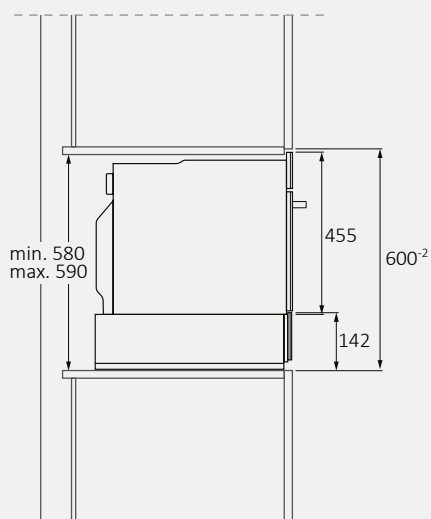


6.7 Installazione compatto + cassetto in colonna



Incasso combinato
Compatto + cassetto

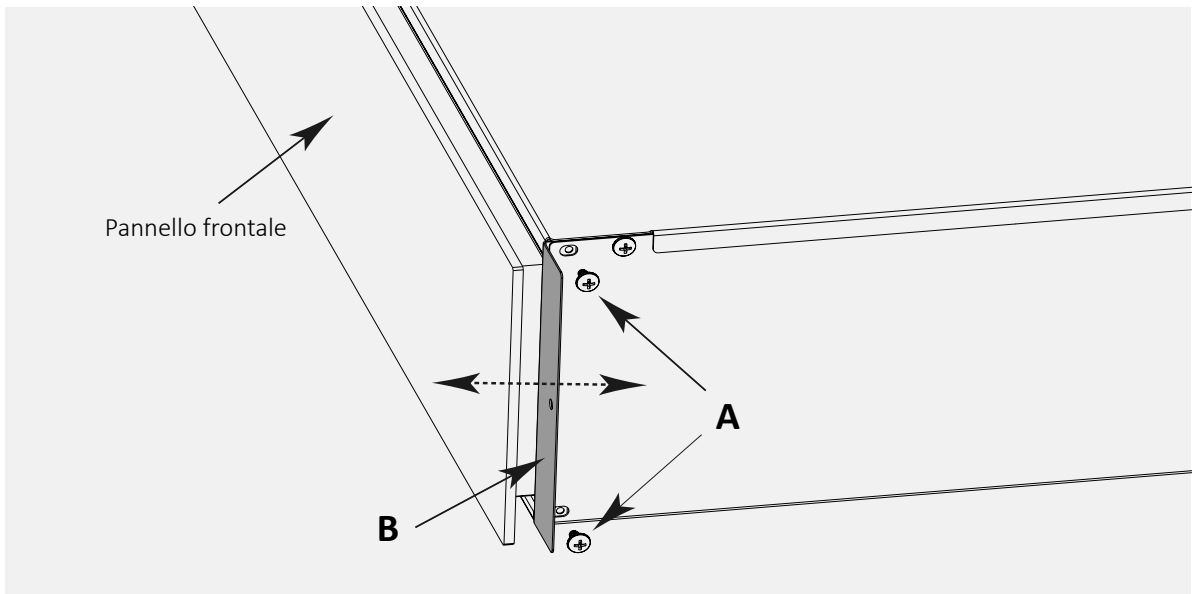
Prospetto laterale



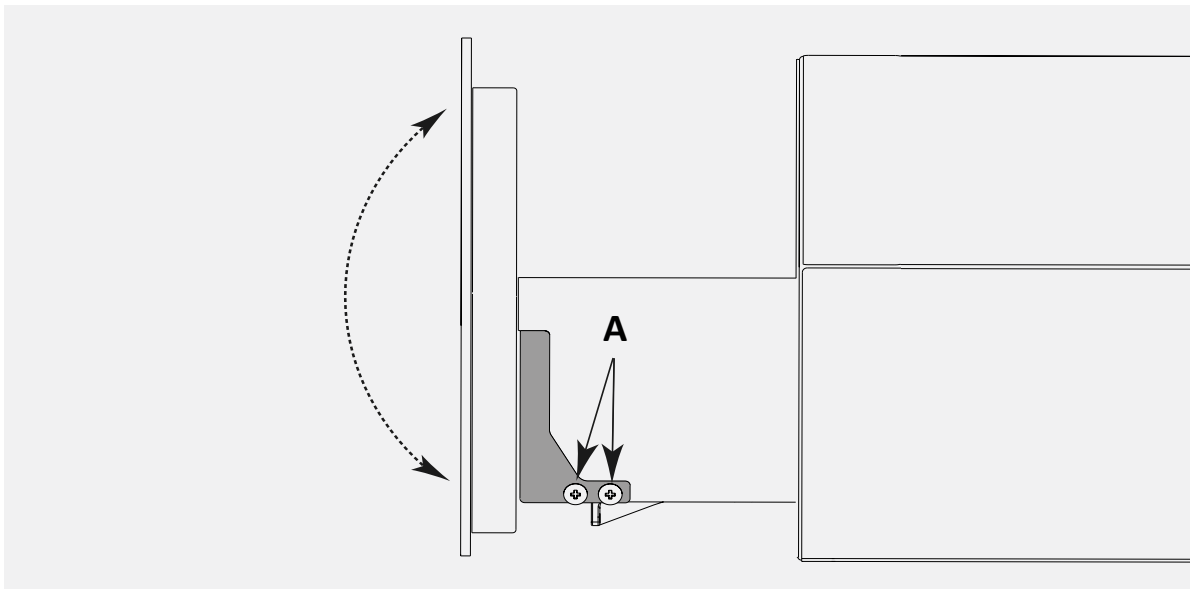
Nota: il frontale del cassetto sporge in altezza. Prestare attenzione durante l'installazione.

6.8 Regolazioni del cassetto

Installazione in abbinamento ad un altro elettrodomestico: verificare che il cassetto sia allineato all'elettrodomestico in abbinamento.

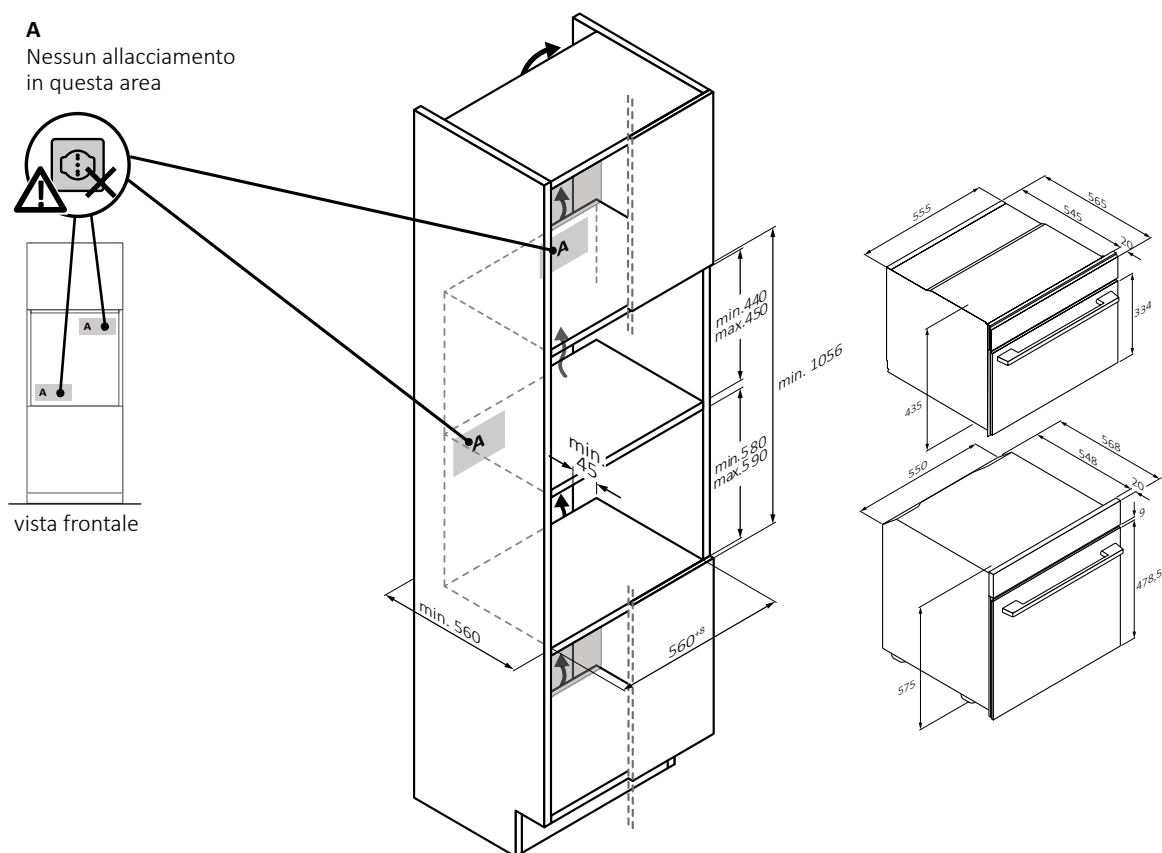


- Per regolare la profondità del cassetto scaldavivande, allentare le viti "A" e regolare le squadrette "B" fino al corretto allineamento del pannello frontale con l'elettrodomestico in abbinamento;
- Riavvitare le viti "A" fino al completo fissaggio.



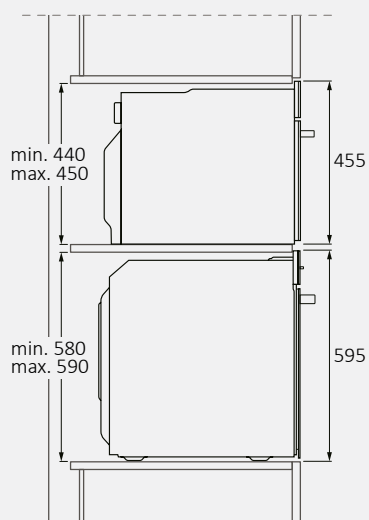
- L'inclinazione del pannello frontale può essere regolata dopo aver allentato le viti "A". Quando il pannello è parallelo al mobile e alla parte frontale dell'elettrodomestico in abbinamento, riavvitare le viti "A" fino al completo fissaggio.

6.9 Installazione forno + Compatto h45 in colonna



Incasso combinato Forno + compatto h45 apertura drop down

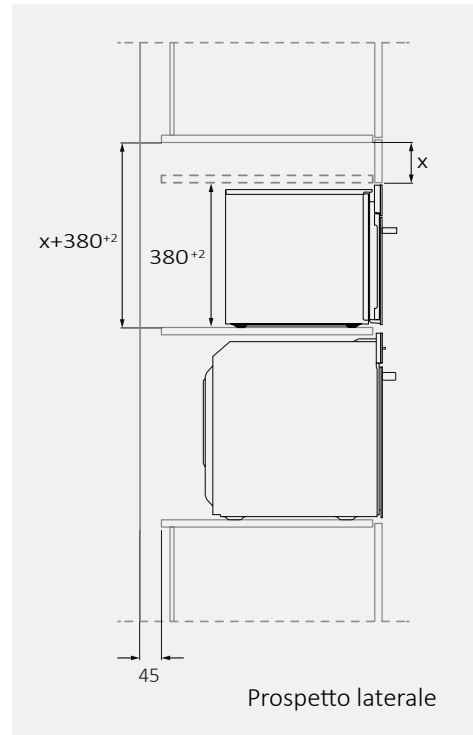
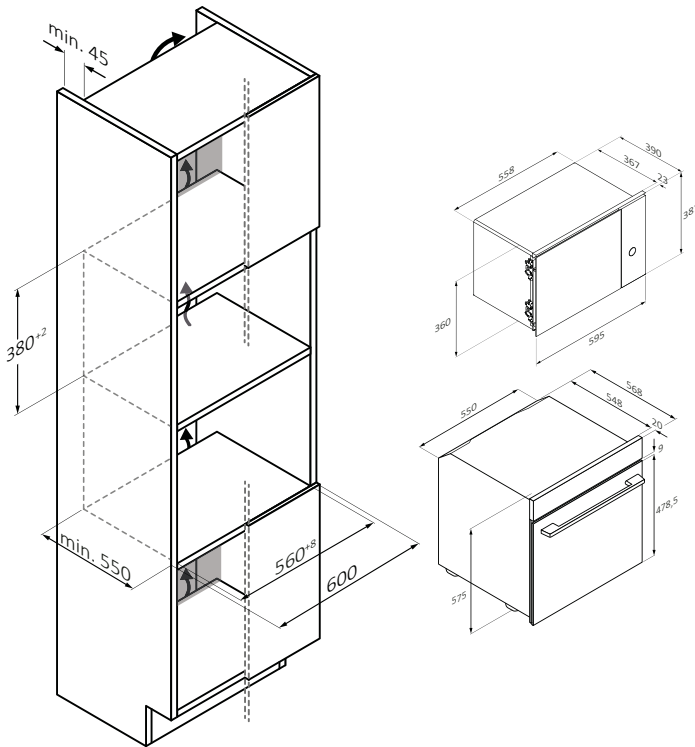
Prospetto laterale



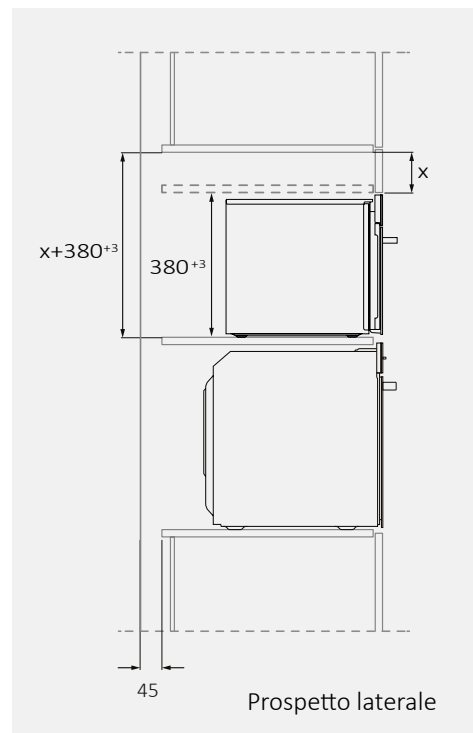
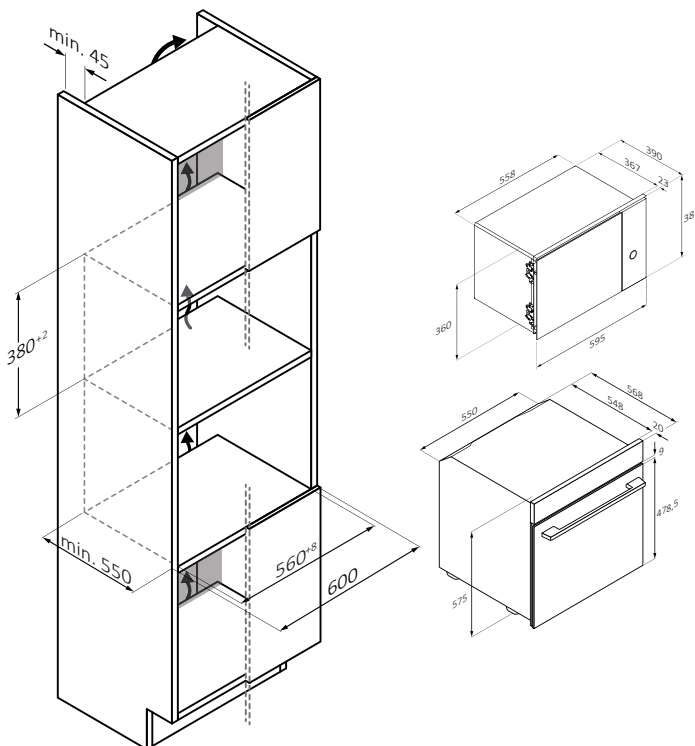
Nota: per ridurre il gap tra le macchine, suggeriamo di utilizzare degli spessori per sollevare il forno di alcuni millimetri.

6.10 Installazione forno + compatto h38 in colonna

Apertura drop down



Apertura side wing




Nota: per ridurre il gap tra le macchine, suggeriamo di utilizzare degli spessori per sollevare il forno di alcuni millimetri.

7.1 Avvisi di sicurezza

Per eseguire il collegamento elettrico dell'apparecchio in sicurezza, osservare le seguenti avvertenze:

- Qualsiasi riparazione, installazione e manutenzione non eseguita correttamente può mettere seriamente in pericolo l'utente;
- L'azienda produttrice dichiara di non assumersi alcuna responsabilità per danni diretti o indiretti causati da errati interventi di installazione, manutenzione o riparazione. Non risponde inoltre dei danni causati dalla mancanza o dall'interruzione della condotta di messa a terra (es. scossa elettrica);
- Far allacciare il forno alla rete elettrica solo da un tecnico qualificato che conosca e rispetti le normative locali e le normative aggiuntive dell'azienda elettrica locale;
- Il prodotto rientra nella classe di protezione I e può funzionare solo se dotato di un conduttore di terra;
- Il prodotto deve essere privo di tensione durante l'installazione;
- Allacciare il prodotto esclusivamente mediante il cavo fornito in dotazione;
- Il prodotto dev'essere allacciato ad un impianto elettrico realizzato a regola d'arte;
- In caso di danni causati da un allacciamento non corretto, decade la validità della garanzia;
- Se il cavo di alimentazione è danneggiato, deve essere sostituito dal produttore, da un tecnico dell'assistenza o da una persona con analoga qualifica per evitare rischi. Per eventuali riparazioni, rivolgersi esclusivamente all'assistenza clienti e chiedere che vengano utilizzati ricambi originali;
- Per eventuali riparazioni rivolgersi esclusivamente al Servizio Assistenza Clienti e richiedere l'utilizzo di ricambi originali;
- Scollegare il prodotto dalla rete elettrica prima di effettuare qualsiasi intervento o manutenzione sullo stesso;
- Per evitare scosse elettriche, accertarsi che l'elettrodomestico sia spento prima di sostituire la lampadina.

 **NOTA:** poiché il forno potrebbe necessitare di interventi di manutenzione, si consiglia di tenere a disposizione un'altra presa a muro a cui poter collegare il forno a questa qualora venga allontanato dallo spazio in cui è installato.

7.2 Istruzioni

Potenza assorbita

Vedi targa dati prodotto.

Interruttore differenziale (salvavita)

Si consiglia l'utilizzo di un interruttore automatico differenziale (salvavita) con corrente di scatto conforme alle norme vigenti.

Dispositivi di separazione

Nel caso in cui sia necessario utilizzarlo, il forno deve essere collegato alla rete di alimentazione tramite un dispositivo di disconnessione onnipolare che assicuri una separazione tra i contatti conforme alla categoria di sovratensione III.

Tale dispositivo deve resistere ai carichi massimi connessi ed essere conforme alle norme vigenti.

⚠ ATTENZIONE: per evitare qualsiasi pericolo causato dal ripristino accidentale del dispositivo di interruzione termica, l'apparecchio non deve essere alimentato da un dispositivo di commutazione esterno, come un timer, o essere collegato a un circuito che viene regolarmente acceso e spento. Il prodotto non è progettato per essere azionato mediante un timer esterno o un sistema di controllo remoto separato.

Il prodotto può essere fornito dal costruttore:

- A) Senza spina: Connessione diretta alla rete;**
- B) Senza spina: Può essere aggiunta durante l'installazione;**
- C) Con spina: Connessione diretta alla presa;**

A) Senza spina: Connessione diretta alla rete

Il prodotto viene collegato direttamente alla rete di alimentazione, includendo nel circuito un interruttore onnipolare;

Il cavo di terra giallo-verde non deve essere interrotto dall'interruttore;


L'interruttore onnipolare utilizzato per il collegamento deve essere facilmente accessibile quando il prodotto è installato;

Il collegamento alla rete elettrica deve essere effettuato tenendo conto della polarità del forno e della sorgente di alimentazione.

Collegare i cavi del collegamento di rete rispettando l'attribuzione dei colori:

- Verde-giallo = terra;
- Blu = neutro;
- Marrone = fase.

B) Senza spina: Può essere aggiunta durante l'installazione

 **NOTA:** L'elettrodomestico può essere collegato solamente a una presa con messa a terra installata secondo le norme vigenti.
Se non si desidera aggiungere la spina, seguire il punto A.

Se si desidera aggiungere la spina:

- Bisogna applicare una spina adeguata ai carichi indicati sul prodotto e conforme alle norme vigenti;
- Inserire la spina nella presa con messa a terra. Se il prodotto è incassato, la spina del cavo di alimentazione deve essere liberamente accessibile dopo l'installazione. Qualora non fosse possibile accedere liberamente alla spina, nell'impianto elettrico fisso deve essere montato un dispositivo di separazione onnipolare conformemente alle norme di installazione;
- Il cavo di terra giallo-verde non deve essere interrotto dall'interruttore;
- L'interruttore onnipolare utilizzato per il collegamento deve essere facilmente accessibile quando il prodotto è installato.

C) Con spina: Connessione diretta alla presa

Il prodotto può essere collegato solamente a una presa con messa a terra.

- Inserire la spina nella presa con messa a terra. Se il prodotto è incassato, la spina del cavo di alimentazione deve essere liberamente accessibile. Qualora non fosse possibile accedere liberamente alla spina, nell'impianto elettrico fisso deve essere montato un dispositivo di separazione onnipolare conformemente alle norme di installazione;
- Il cavo di terra giallo-verde non deve essere interrotto dall'interruttore;
- L'interruttore onnipolare utilizzato per il collegamento deve essere facilmente accessibile quando l'apparecchio è installato;
- La presa deve essere idonea al carico indicato sulla targhetta e deve avere il contatto di terra collegato e funzionante;
- In caso di incompatibilità tra la presa e la spina dell'apparecchio, chiedere ad un elettricista qualificato di sostituire la presa con altra di tipo idoneo. La spina e la presa devono essere conformi alle norme vigenti nel paese di installazione;
- Se il prodotto dovesse essere fornito con spina polarizzata, bisogna collegarlo esclusivamente a una presa polarizzata.

Sostituzione del cavo di alimentazione

- Non sostituire il cavo autonomamente. Rivolgersi al centro assistenza autorizzato.

7.3 Altri consigli

L'uso di qualunque elettrodomestico impone il rispetto di alcune regole fondamentali:

- Non tirare il cavo di alimentazione per scollegare l'elettrodomestico dall'alimentazione;
- Non toccare l'elettrodomestico con le mani o i piedi umidi o bagnati;
- In generale, l'uso di adattatori, prese multiple o prolunghie è sconsigliato;
- In caso di malfunzionamento e/o calo di prestazioni, spegnere l'elettrodomestico e non manometterlo.

8 Indicazioni relative all'installazione del forno

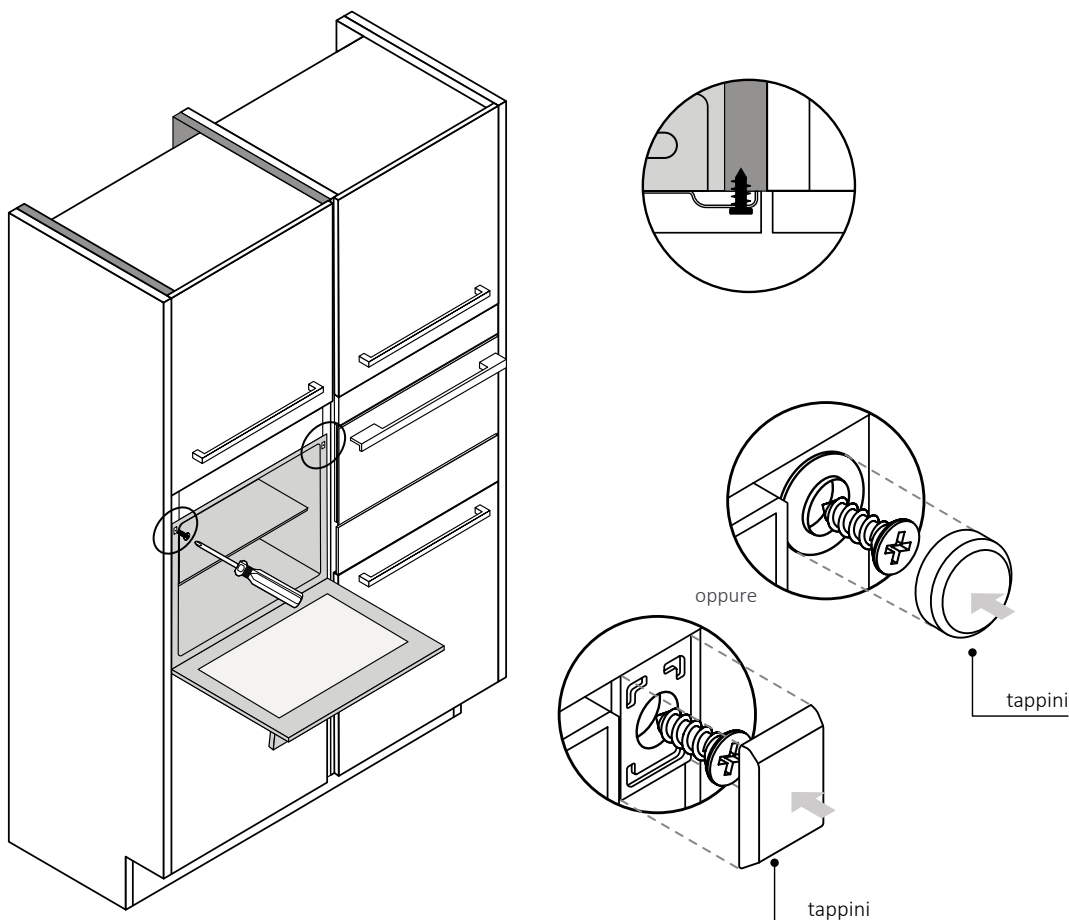
8.1 Avvertenze importanti

- Per questioni di sicurezza, il prodotto deve essere usato solo se incassato;
- Per funzionare correttamente il prodotto ha bisogno che affluisca una quantità sufficiente di aria fresca;
- Accertarsi che il ripiano intermedio su cui si appoggia il prodotto non tocchi la parete;
- Le superfici nel vano incasso siano resistenti alle temperature previste dalla normativa EN 60335;
- Se si installa il prodotto al di sotto di un piano cottura, seguire le istruzioni fornite dal produttore del piano cottura;

8.2 Fissaggio al mobile

- Inserire il prodotto fino in fondo e centrarlo;
- Fissare il prodotto con le viti;
- Coprire le viti con i tappini.

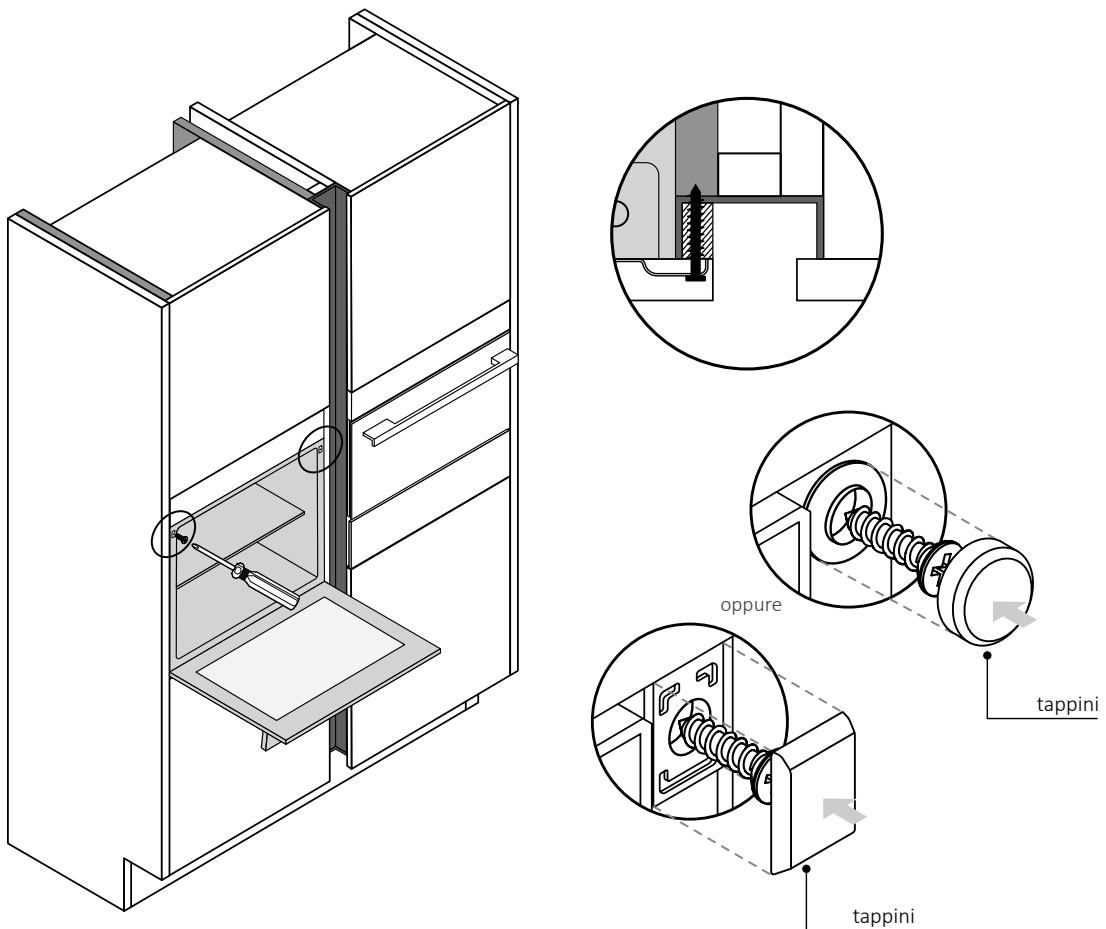
Colonna con maniglia



In caso di cucine con maniglia integrata verticale (gola verticale):

- Applicare un pezzo di riempimento adatto per coprire eventuali bordi taglienti e garantire un montaggio sicuro;
- Preforare i profili di alluminio per realizzare un raccordo a vite;
- Fissare il prodotto con vite adeguata (non fornita);

Colonna con gola



8 Indicazioni relative all'installazione del forno

8.3 Installazione step by step

Di seguito le immagini mostrano le fasi di installazione del prodotto in una colonna.

È possibile visionare
il video d'installazione del prodotto
scansionando il Qr Code

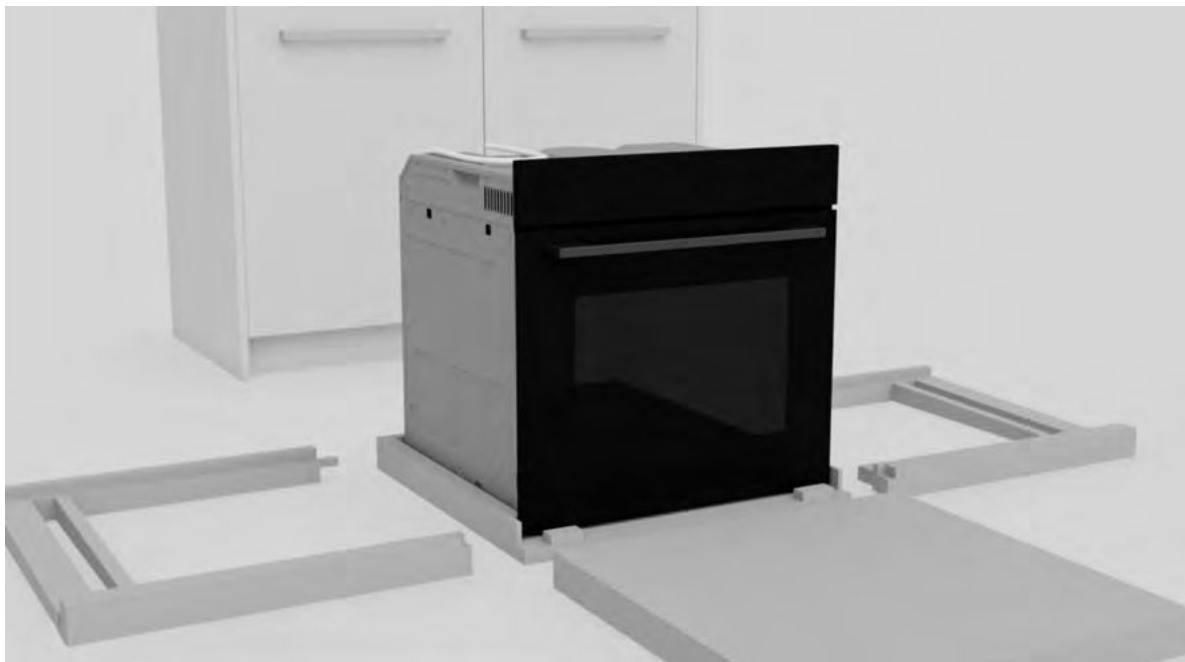


oppure cliccando
al seguente **link**

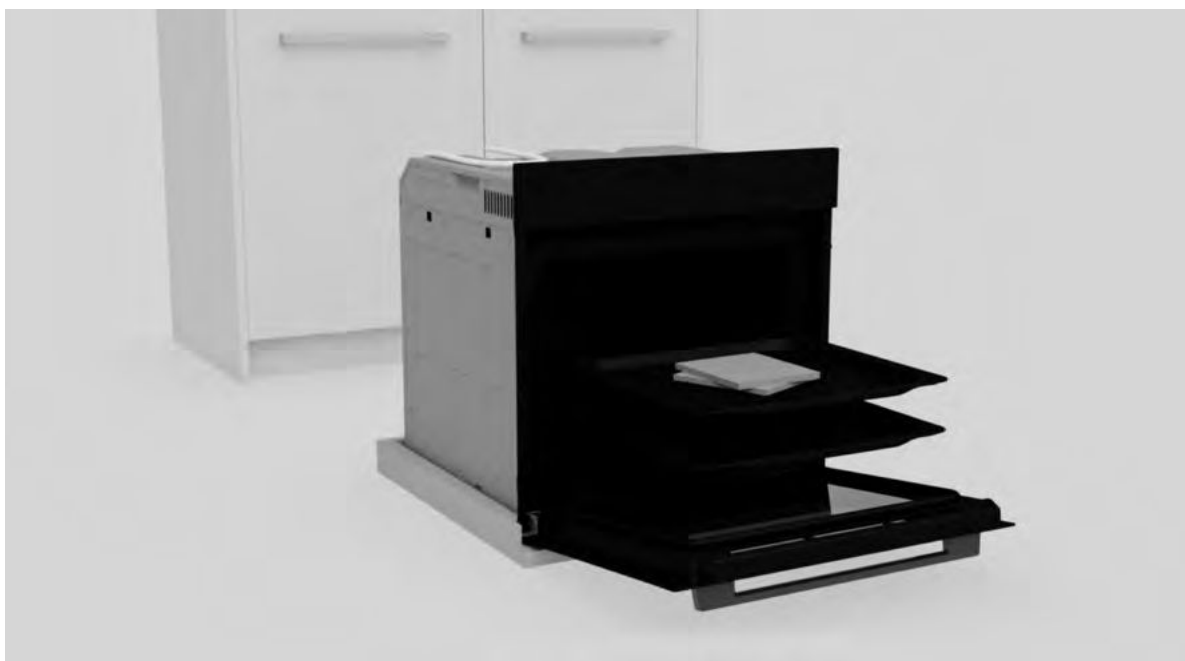


1

Posizionare il prodotto in corrispondenza del mobile per l'incasso;

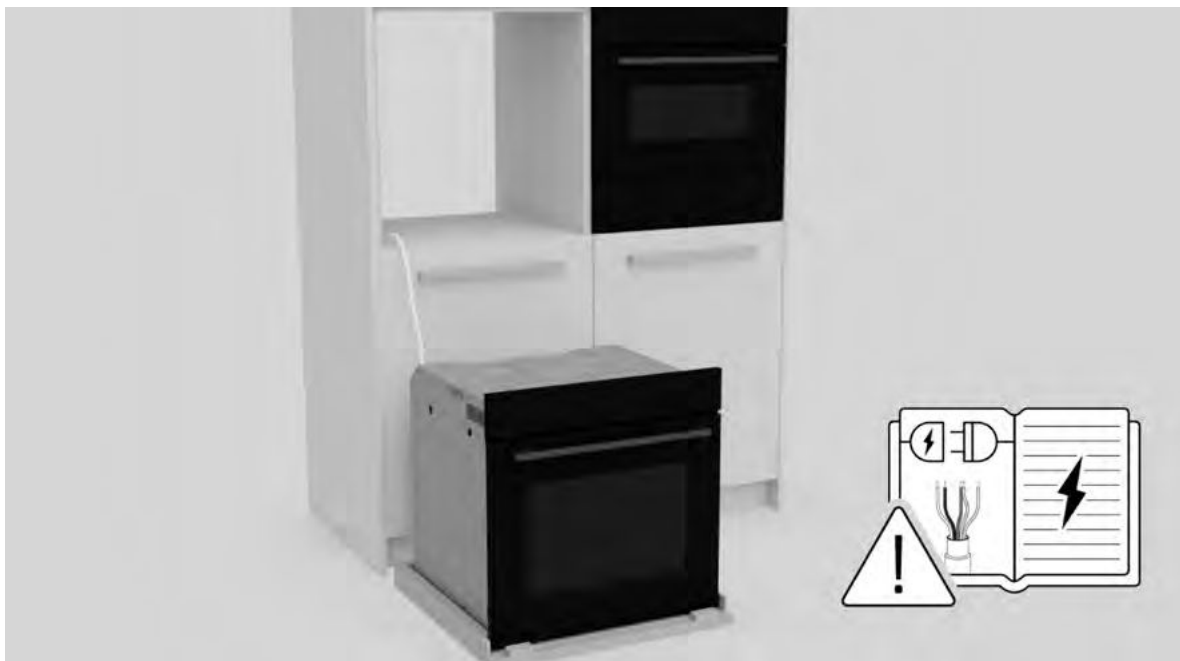
**2**

Rimuovere l'imballaggio mediante un taglierino prestando attenzione a non danneggiare il prodotto;

**3**

Rimuovere tutti gli accessori presenti nel forno e richiudere lo sportello;

8 Indicazioni relative all'installazione del forno



4

Avvicinare il prodotto in corrispondenza del mobile per l'incasso. Dopo aver consultato il manuale di installazione, procedere con i collegamenti elettrici;

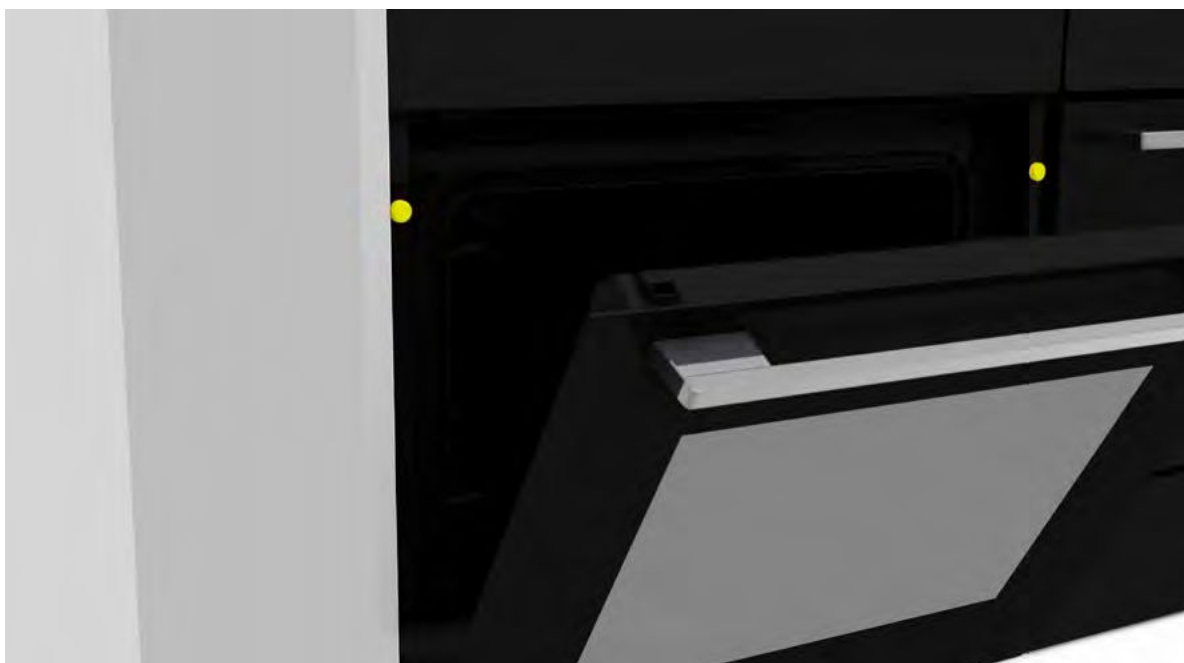


5

Sollevarlo dal prodotto dalle maniglie laterali utilizzando dei guanti. Non sollevare mediante maniglia dello sportello;

**6**

Inserire il prodotto nel vano di incasso;

**7**

Aprire lo sportello per fissare il prodotto al mobile. Avvitare il prodotto alle estremità superiori; coprire le viti con i tappini forniti.

9 Consegna all'utente

A conclusione dell'installazione:

- Informare l'utente circa le funzioni essenziali;
- Informare l'utente su tutti gli aspetti rilevanti per la sicurezza dell'uso e della manipolazione;
- Consegnare all'utente gli accessori e le istruzioni per l'uso e il montaggio da conservare con cura.

Al termine dell'installazione, rimuovere la pellicola protettiva, il nastro e tutti gli altri materiali da imballaggio ed estrarre gli accessori in dotazione dall'interno del forno.

⚠ AVVERTENZA: Il prodotto richiede una adeguata ventilazione per un funzionamento normale. Non ostruire per alcun motivo le aperture di ventilazione.

📖 NOTA: L'aspetto effettivo del forno dipende dal modello scelto.

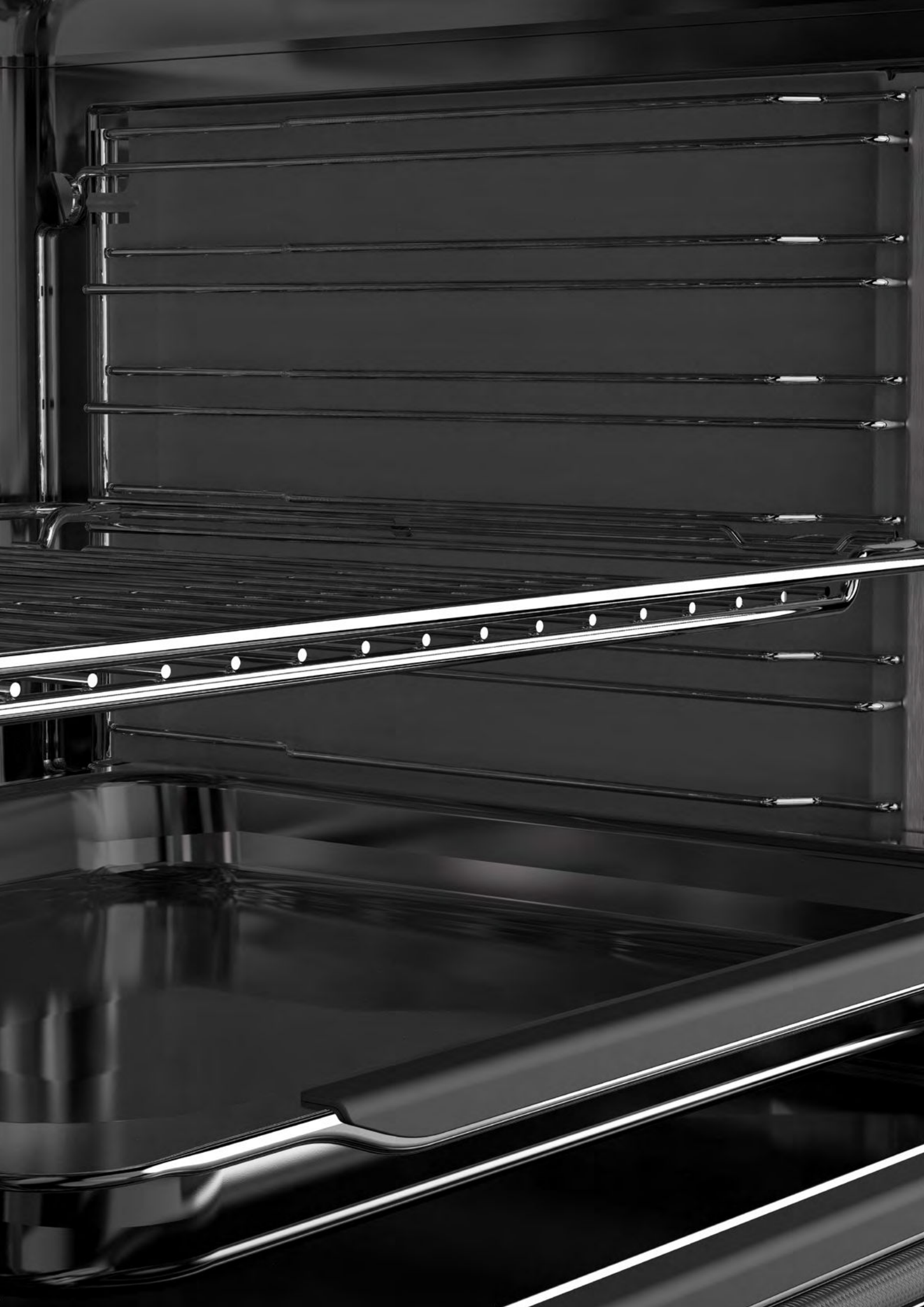
10 Prima messa in funzione

Al primo preriscaldamento del prodotto possono svilupparsi leggeri odori e fumo all'apertura dello sportello. Quando il prodotto viene acceso per la prima volta, si possono effettuare, se disponibili, le seguenti impostazioni:

- Impostare l'ora;
- Selezionare la lingua;
- Settare luminosità e volume;
- Settare l'amperaggio;
- Per ulteriori informazioni, consulta il manuale utente del prodotto.

11 Smontaggio del prodotto

- Scollegare il prodotto dalla rete elettrica;
- Svitare le viti di fissaggio;
- Sollevare leggermente il prodotto ed estrarlo completamente;
- Questo prodotto non rovina il mobile, il quale potrà essere utilizzato anche con un nuovo elettrodomestico.



Haier