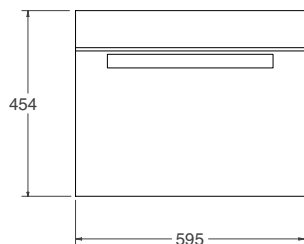
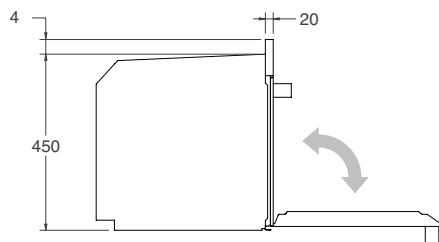


## PRODUCT DIMENSIONS

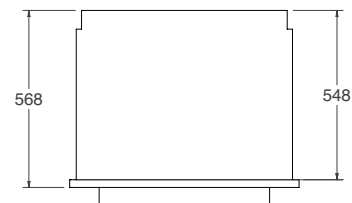
FRONT VIEW



SIDE VIEW

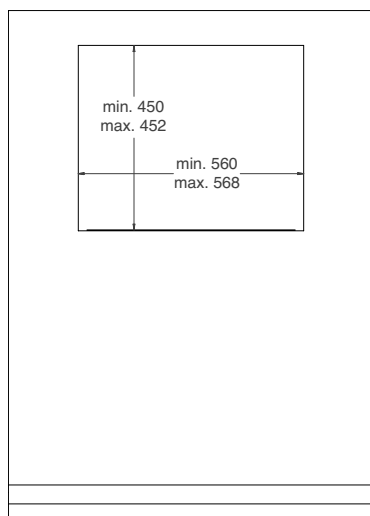


TOP VIEW

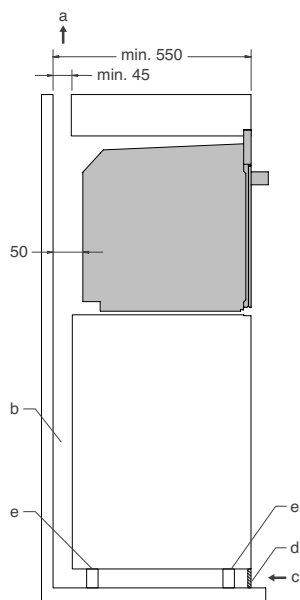


## CUTOUT DIMENSIONS

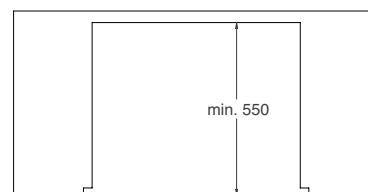
FRONT VIEW



SIDE VIEW



TOP VIEW



- a - Ventilation openings behind, min. 250 cm<sup>2</sup>
- b - Back panels open
- c - Ventilation area in the base min. 250 cm<sup>2</sup>
- d - Ventilation grid
- e - Curbboard feet