

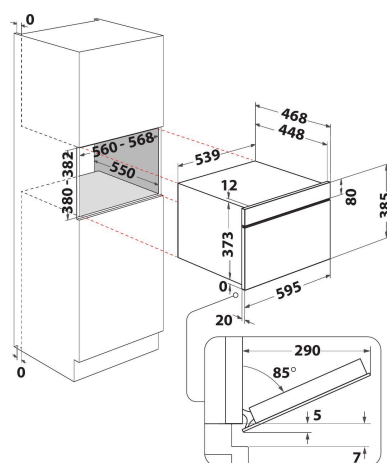
# WMD54MX

12NC: 859991682100

GTIN (EAN) code: 8003437397271

Whirlpool

SENSING THE DIFFERENCE



- 6TH Sense technology
- 6TH Sense CRISP Function with CRISP Plate
- Crisp Function
- Cavity 31 L
- Jet Start: rapid food reheating
- Jet Defrost: fast reheating
- 1000 W microwave
- Protruding handle
- 32,5 cm turntable
- Maximum dish diameter: 315 mm
- Frontal ventilation
- Drop down opening
- Crisp plate and handle
- Crisp Function with Crisp Plate
- Favourites
- 3 Cooking Methods: Microwave, Grill, Crisp
- Grill Grid

## Whirlpool built in microwave oven: stainless steel color - WMD54MX

This Whirlpool built in Microwave Oven features: stainless steel color. Outstanding cavity size. Grill function. Exclusive 6th SENSE technology, that automatically sets the time, temperature and energy consumption, during cooking. Crisp function, for unbeatably crisp quiches, pizzas and pies.



### Grill

Fast grilling, faster cleaning. Your Microwave's powerful grilling function provides the same delicious results as a traditional oven. The tilting motion of the grill also ensures easier cleaning.



### JetDefrost

Fast defrosting. Use the unique JetDefrost 3D system to defrost food effectively and with ease in your microwave oven.



### Reheat

Faster reheating. Enjoy your reheated meals in minutes, with the reheat function.

### Jet Start

Outstanding reheating speed. The JetStart function boosts the heat inside the oven to the maximum for 30 seconds, providing the ideal temperature to reheat food with high water content such as clear soups or beverages.



### 6TH SENSE technology

Confident cooking. With 6TH SENSE technology, your microwave automatically sets the time, temperature and energy levels during the cooking process.



### Quartz grill

Ideal cooking experience. The Quartz Grill reheats and cooks your food faster than a traditional infrared grill. It is resource-efficient, reducing your energy costs, and entirely self-cleaning.



### Crisp

Unbeatable crispness. This Whirlpool Microwave's Crisp function and dedicated pan ensures you can cook the crispiest pizza, pie or quiche, anytime.



### 31 litres capacity

More room for your cooking creations. This Whirlpool Microwave offers an outstanding 31-litre capacity, ensuring you'll never run out of space to explore new recipes.



### 3D Technology

Cooked to perfection. The revolutionary 3D technology system ensures even heat circulation through a fully 3-dimensional heat distribution system, so you can always enjoy evenly-cooked meals, at the touch of a button.

# WMD54MX

12NC: 859991682100

GTIN (EAN) code: 8003437397271

**Whirlpool**

SENSING THE DIFFERENCE

## MAIN FEATURES

Product group	Microwave
Commercial code	WMD54MX
Main colour of product	Stainless steel
Type of micro-wave oven	MW+Grill function
Construction type	Built-in
Type of control	Electronic
Type of control settings	LED
Additional cooking method Grill	Yes
Crisp	Yes
Steam	No
Additional cooking method Fan cooking	No
Clock	Yes
Automatic programmes	Yes
Height of the product	385
Width of the product	595
Depth of the product	468
Minimum niche height	380
Minimum niche width	556
Niche depth	550
Net weight (kg)	27
Cavity capacity (l)	31
Turntable	Yes
Turntable diameter (mm)	325
Integrated Cleaning system	Hydrolytic

## TECHNICAL FEATURES

Current (A)	10
Voltage (V)	220-240
Frequency (Hz)	50
Length of electrical supply cord (cm)	135
Plug type	Schuko
Timer	Yes
Grill power (W)	800
Type of grill	Quartz
-	Stainless steel
Interior light	Yes
Additional cooking method Grill	Yes
Position of interior lights of the cavity	Right side
Maximum Air flow -	0
Minimum air flow -	0
Sound power at max. speed (2010/30/EU) -	0
Sound power at min. speed (2010/30/EU) -	0

## PERFORMANCES

6th Sense / Dynamic Intelligence	6th Sense
Number of power levels	7
Maximum micro-wave power (W)	1000
Bread defrost	No
Jet defrost	Yes
Jet start	Yes
Energy efficiency class - NEW (2010/30/EU) -	x